



# HYDRANTS

## Post Hydrant

### MODEL M-ESH175VA

(FORMERLY M-ESHSC175VA)

3/4" FREEZE RESISTANT TRIMLINE POST HYDRANT WITH SHUT-OFF, HEAVY DUTY

### STANDARD FEATURES

Model M-ESH175VA delivers year-round service outside or in unheated buildings. To provide freeze resistant functionality, the control valve is located below the frost line. The reduced-pressure, spring-loaded handle raises and lowers the internal supply line assembly, controlling the valve. The internal supply column is evacuated through drainage ports in the bottom and an integral internal shut-off valve ensures easy maintenance. This trimline design complements any setting. The hydrant must be operated fully "ON."

### SUGGESTED SPECIFICATIONS

Hydrant shall be Murdock-Super Secur model M-ESH175VA. Unit shall be capable of year-round use in freezing weather and shall include an integral shut-off valve.

Unit shall extend below grade level so that centerline of supply inlet is positioned at or below frost line. Unit shall include an integral shut-off valve. VERY IMPORTANT: Supply water pressure for this hydrant shall not exceed 40 psi. If necessary, pressure-reducing valve shall be installed in supply line. Inlet shall have a threaded connection.

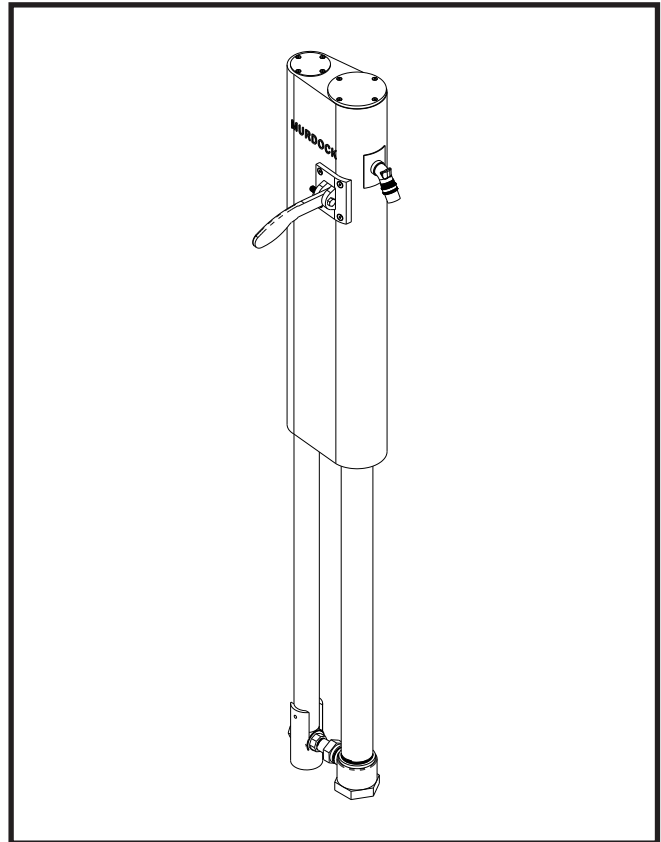
Water shall be gravity-evacuated from inner supply column when valve is shut off.

Valve shall be operated by lever handle spring-loaded for closure. Housing shall be cast aluminum, finished with a heavy grade of oil-based VS bronze enamel. Handle shall be an aluminum-bronze casting. All castings shall be manufactured in the USA and comply with ARRA standards, to include machining, assembly and painting.

Inner supply assembly shall incorporate solid-brass castings. All solid-brass castings shall conform to ASTM standards B61 and B62. Lead-free castings are used in all waterways.

Outer casings and inner supply line shall be galvanized-steel pipe.

Nozzle shall be solid brass casting, threaded for 3/4" hose connection.



Standard Model: M-ESH175VA

### DEPTH OF BURY *(additional costs may be incurred)*

- 2 ft. (61 cm)
- 3 ft. (91.4 cm)
- 4 ft. (121.9 cm)
- 5 ft. (152.4 cm)
- 6 ft. (182.9 cm)
- Other

### OPTIONS *(additional costs may be incurred)*

- BFH Double ball check valve and vacuum breaker\*
- OM Omniflow (laminar flow) outlet
- VB Vacuum breaker
- Plain end outlet (no threads)
- Green enamel
- Black enamel

\* See separate option sheets



Member of  
U.S. Green  
Building  
Council



Recyclable  
Product

**WARNING:** Cancer and Reproductive Harm - [www.P65Warnings.ca.gov](http://www.P65Warnings.ca.gov)

MURDOCK MFG. • 15125 Proctor Avenue • City of Industry, CA 91746 USA  
Phone 800-453-7465 or 626-333-2543 • Fax 626-855-4860 • [www.murdockmfg.com](http://www.murdockmfg.com)

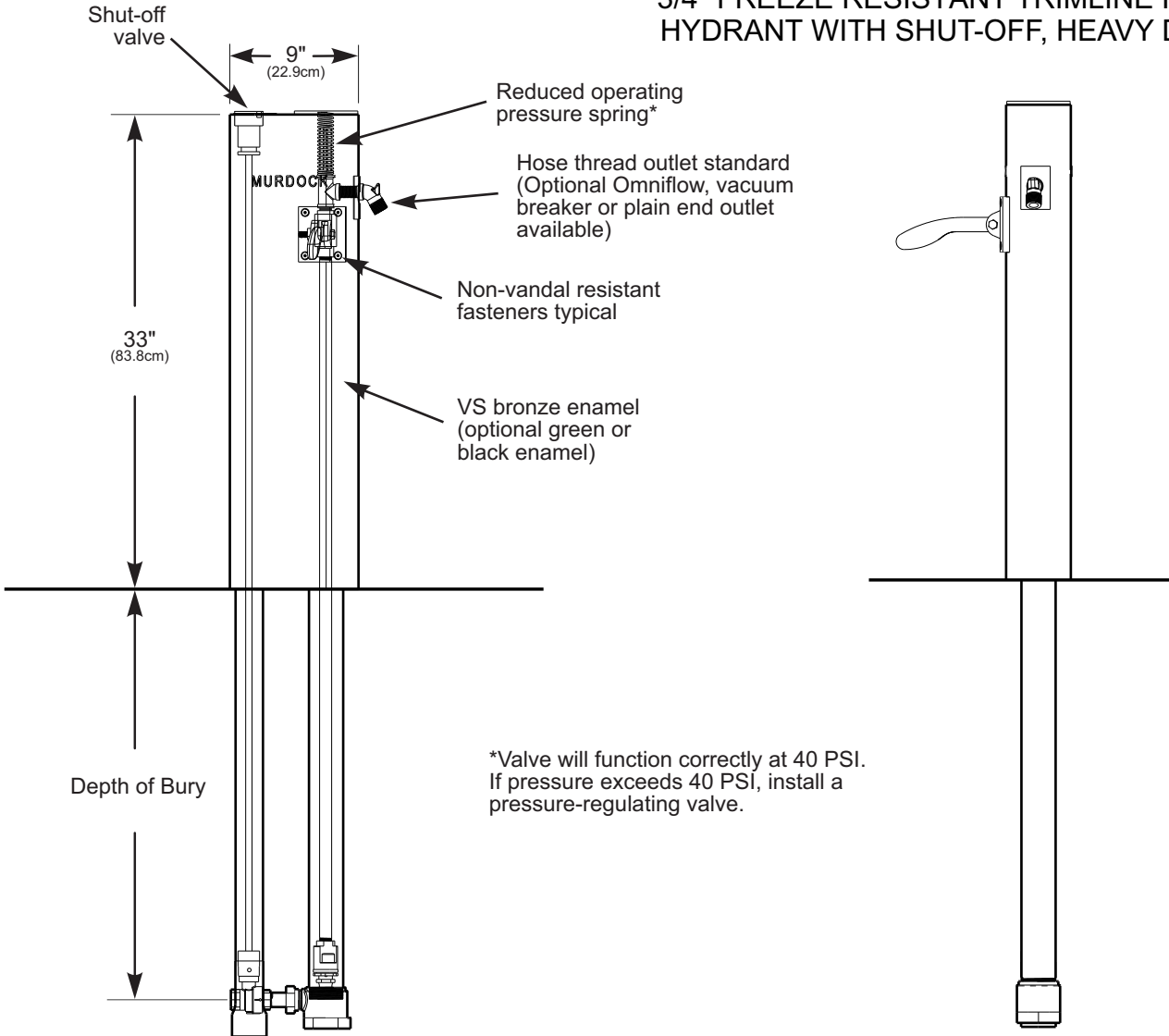
Member of  
MORRIS GROUP  
INTERNATIONAL



# HYDRANTS

## Post Hydrant MODEL M-ESH175VA

3/4" FREEZE RESISTANT TRIMLINE POST  
HYDRANT WITH SHUT-OFF, HEAVY DUTY



Murdock Mfg.™ warrants that its products are free from defects in material or workmanship under normal use and service for a period of one year from date of shipment. Murdock's liability under this warranty shall be discharged solely by replacement or repair of defective material, provided Murdock™ is notified in writing within one year from date of shipment, F.O.B. Industry, California.

SELECTION SUMMARY & APPROVAL FOR MANUFACTURING	Model Number & Options _____	Quantity _____	All dimensions are subject to manufactures tolerance of plus or minus 1/2" nominal and subject to change without notice. Murdock assumes no responsibility for use of void or superseded data. Dimensions may change with the addition of optional accessories. Murdock Mfg.™, Member of Morris Group International™. Please visit <a href="http://www.murdockmfg.com">www.murdockmfg.com</a> for most current specifications.
	Company _____		
	Contact _____	Title _____	
	Signature (Approval for Manufacturing) _____	Date _____	

**MURDOCK MFG.** • 15125 Proctor Avenue • City of Industry, CA 91746 USA  
 Phone 800-453-7465 or 626-333-2543 • Fax 626-855-4860 • [www.murdockmfg.com](http://www.murdockmfg.com)

Member of MORRIS GROUP INTERNATIONAL