



# H Y D R A N T S

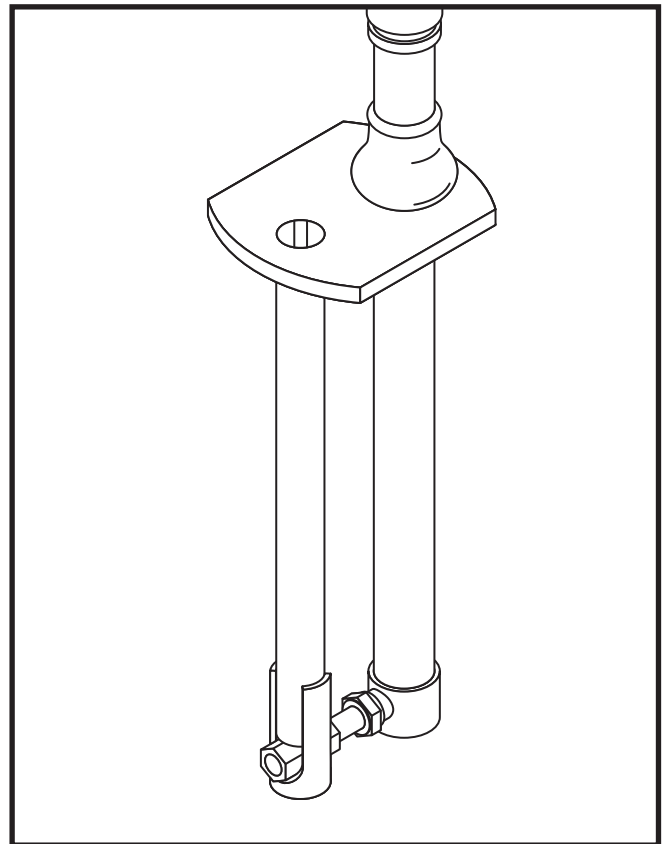
## Hydrant Option

**OPTION - R01**  
INTEGRAL SHUTOFF VALVE

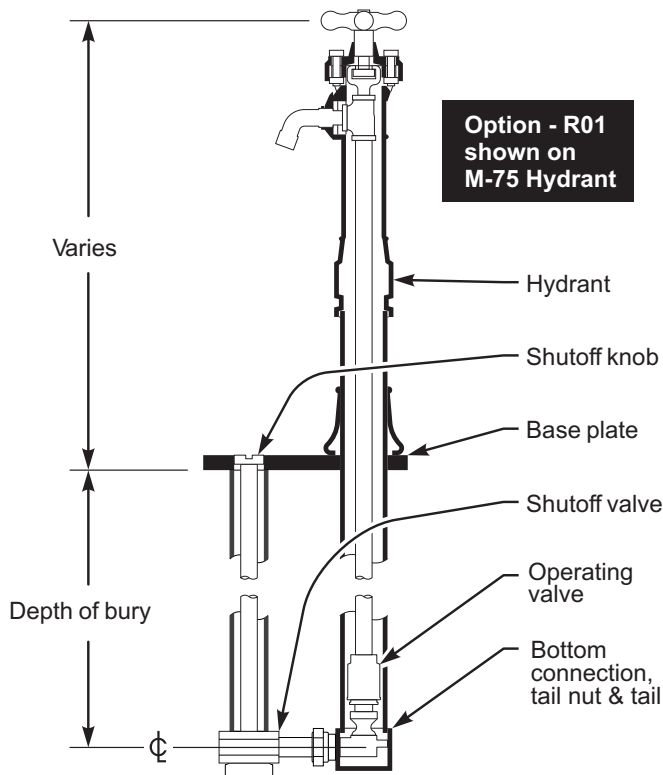
### STANDARD FEATURES

Option - R01 allows a hydrant to be serviced without turning off the water supply to the entire system. A shutoff valve is located at the depth of bury, adjacent to the operating valve of the hydrant. This option includes a base plate with a slotted shutoff knob. Option - R01 is available factory installed on 3/4" and 1" post hydrants. Option - R01 may also be ordered separately for installation in 3/4" and 1" water lines.

Exposed parts are finished with a heavy grade of oil-based green enamel. Solid brass castings conform to ASTM standards B61 and B62. Lead-free castings are used in all waterways.



□ Option - R01



**Option - R01  
shown on  
M-75 Hydrant**

### SELECTION SUMMARY & APPROVAL FOR MANUFACTURING

Model Numbers & Options \_\_\_\_\_  
 Quantity \_\_\_\_\_ Date \_\_\_\_\_  
 Company \_\_\_\_\_  
 Contact \_\_\_\_\_  
 Title \_\_\_\_\_  
 Approval for Manufacturing/Signature \_\_\_\_\_

All dimensions are nominal and subject to manufacturer's change without notice.  
 Murdock-Super Secur assumes no responsibility for use of void or suspended data.  
 © Copyright 2007, Murdock-Super Secur, a division of Acorn Engineering Company.

Please visit [www.murdock-supersecur.com](http://www.murdock-supersecur.com) for most current specifications.

**ONE YEAR LIMITED WARRANTY** - Parts are warranted for one (1) year from date of shipment.

**MURDOCK-SUPER SECUR** A Member of Acorn Engineering's Family of Companies  
 15125 Proctor Avenue • City of Industry, CA 91746 USA • Phone 800-591-9880 or 626-333-2543 • Fax 626-855-4860