

# BIKE STOR

Bicycle Security Lockers

BIKE STOR lockers provide unsurpassed security, permanence and are clean, attractive components of the facility landscape. Each locker provides secure, worry free security for two bicycles.

Lockers feature a full height 14-gage stainless steel hinge. T-handle locks have pick-resistant vending machine cylinders which are easily replaced. Locks engage the frame at two points. Each door includes a recessed number plate.

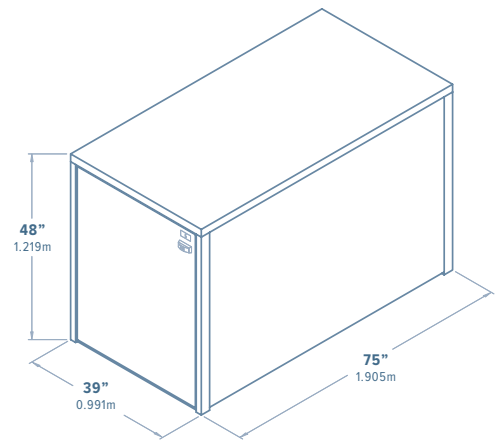
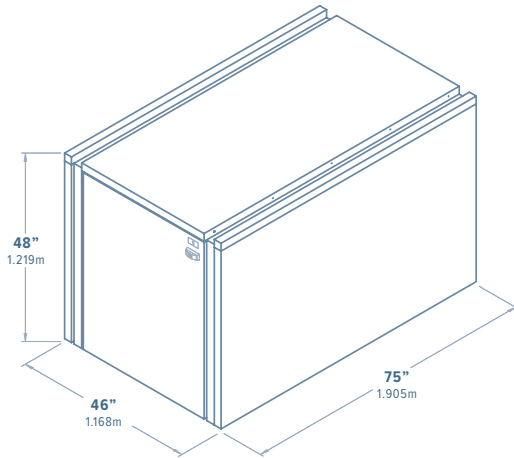
Lockers may be locked from the outside only but may be opened from the inside in case of emergency.

BIKE STOR lockers are ideal for corporate centers, universities, transit systems, or anywhere bike security is needed. Lockers can be installed individually or in multiple units, providing security for any number of bicycles.

Lockers are shipped knocked-down and are easily assembled and installed.

Contact Murdock-Super Secur for technical data, written specifications, warranty and delivery information. [www.murdock-supersecur.com](http://www.murdock-supersecur.com)





## BIKE-STOR MODEL C

Super heavy duty construction includes 11-gage stainless steel satin finish frames at the side of each locker. Interior dividers are 18-gage galvanized steel. End panels, tops and doors are 14-gage stainless steel with satin finish. No wood products are used. Concealed assembly hardware is stainless steel.

Model C lockers may be assembled into a bank of lockers. The bank includes a frame with adjustable feet between each locker and the bank is anchored to a concrete slab at the four corners with 1/2" expansion bolts.

Tops and doors of Model C lockers have been tested with loadings far in excess of any plausible load.

## BIKE-STOR MODEL M

Heavy duty construction is hot dipped galvanized steel, powder-coated inside and outside. Doors are all 14-gage and use our Classic locking mechanism. Sides and top are 16-gage and diagonal divider is 18-gage. No wood products are used.

Locker is easily assembled with stainless steel carriage bolts which are concealed and require a wrench on nut side only.

Each BIKE STOR locker is anchored to a concrete slab with two 3/8" expansion bolts. Lockers may be located individually or grouped in banks.



Technical information may be found at [www.murdock-supersecur.com](http://www.murdock-supersecur.com).

### West Coast Office

P.O. Box 3527 • City of Industry, CA 91744 U.S.A.  
Ph 800-591-9880 • 626-336-4561  
Fax 626-855-4860

### Midwest Office

488 River Road • Cincinnati, OH 45204 U.S.A.  
Ph 800-453-7465 • 513-471-7700  
Fax 513-471-3299



Member of Acorn Engineering's  
Family of Companies

[murdock-supersecur.com](http://murdock-supersecur.com)

