

# Replacement Filter RWF1 - 1500 Gallon

LEAD/CYST REDUCTION  
WATER FILTER REPLACEMENTS

## FEATURES

- Replaces Existing WF-1 Filter
- Lead, Chlorine and Cyst reduction filter
- 1500 gallon capacity
- Assembly head with quick connect inlet/outlet
- Flow rate of 0.5 gpm
- Complies with NSF/ANSI 42+53 Lead Reduction to 1 Micron



RWF1 and RWF1-24 shown

## SPECIFICATIONS

Model RWF1 is a replacement lead, chlorine and cyst reduction water filter used for drinking fountains and water coolers with an existing WF-1 Filter.

The filter is for cold water use only and operates at temperatures of 35°F - 100°F [2°C - 38°C]. Operating pressure is not to exceed 125 psig. Capacity is 1500 gallons with a flow rate of 0.5 gpm [1.9 lpm]. Unit shall adhere to NSF/ANSI 42+53 with lead reduction to one (1) micron.

### Note:

The filters comply with NSF/ANSI 42+53 Standards. Properly installed and maintained, these approvals cover a reduction in lead, E. coli, and cryptosporidium.

The link to the Lead Free IAPMO R&T Product Listing File #6039 is:

<https://plm.iapmo.org/pld#/certificate/6039/344>

## MODEL:

(Must Specify)

- RWF1 Replacement Water Filter (single)  
(NSF/ANSI 42+53 Lead Reduction)
- RWF1-24 Replacement Water Filters (24-Pack)  
(NSF/ANSI 42+53 Lead Reduction)



Recyclable  
Product



Water  
Conserving  
Product

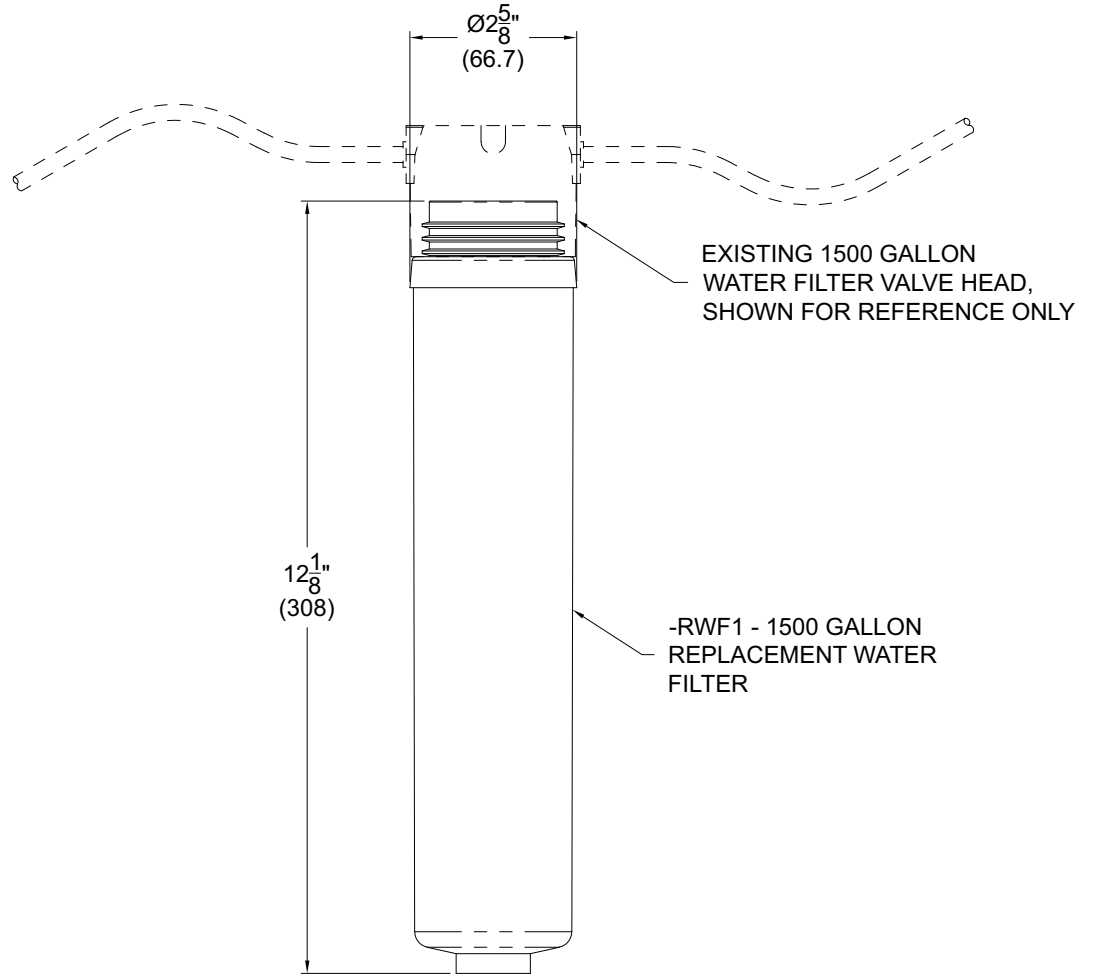
⚠ WARNING: Cancer and Reproductive Harm - [www.P65Warnings.ca.gov](http://www.P65Warnings.ca.gov)

MURDOCK MFG. • 15125 Proctor Avenue • City of Industry, CA 91746 USA  
Phone 800-453-7465 • [www.murdockmfg.com](http://www.murdockmfg.com)

Member of  
MORRIS GROUP  
INTERNATIONAL

# REPLACEMENT FILTER

LEAD/CYST REDUCTION  
1500 GALLON WATER FILTER



**GENERAL NOTES:**

1. ALL DIMENSIONS ARE IN INCHES (MM).

<b>SELECTION SUMMARY &amp; APPROVAL FOR MANUFACTURING</b>	Model Number & Options _____	Quantity _____	<i>All dimensions are subject to manufactures tolerance of plus or minus 1/4" nominal and subject to change without notice. Murdock<sup>®</sup> assumes no responsibility for use of void or superseded data. Dimensions may change with the addition of optional accessories. Murdock<sup>®</sup> Mfg., Member of Morris Group International<sup>®</sup>. Please visit <a href="http://www.murdockmfg.com">www.murdockmfg.com</a> for most current specifications.</i>
	Company _____		
	Contact _____	Title _____	
	Signature (Approval for Manufacturing) _____	Date _____	