

## M-OBR4-GRD Series MODEL M-OBR4-GRD

RECESSED OUTDOOR BOTTLE FILLER  
WITH BI-LEVEL DRINKING FOUNTAIN

### STANDARD FEATURES

- 115v Plug-in transformer
- Pushbutton and hands free sensor operated bottle filler
- 100 mesh inlet strainer
- Laminar flow water supply
- 1.0 GPM fill rate
- Lead-free
- 1500 gallon Lead and cyst filter for bottle filler
- Bottle filler meets ADA forward and side reach requirements
- Vandal-resistant design
- Gasketed door for weather resistance
- ADA Complaint (when properly installed)
- Resistant to sunlight, heat, moisture and wear
- 18 gage, 304 stainless steel bowl
- 12 gage, heavy duty stainless steel arm, corrosion and scratch resistant
- Polished Stainless steel, anti-rotation non-squirt bubbler

### SUGGESTED SPECIFICATIONS

Model M-OBR4-GRD is a recessed outdoor bottle filler. Housing has a slim and trim look that blends into your environment. Unit also has a strong vandal-resistant design for years of trouble-free service. Bottle filler shall be activated by a 9 volt sensor or a pushbutton as standard. Fixture has a self-closing pushbutton, needing less than 5 pounds of force which shall activate the internally mounted valve. When installed properly, the bottle filler complies with ADA forward and side reach requirements. Bottle filler is fabricated of type 304 stainless steel. Unit includes GRD series bi-level barrier free drinking fountains. Bottle filler cabinets and drinking fountains shall be either stainless steel with powder coat or satin finish. Unit complies with ANSI A117.1 and shall be certified to Public Law 111-380 (NO-LEAD) and NSF/ ANSI/CAN 61. Fixture meets ADA, ADA Standing Person and ADA Child requirements when mounted appropriately.

**INSTALLATION NOTES:** Refer to installation detail to ensure fixture Mounting Channel is compatible with wall construction type. P-trap Waste, water supply connection and electrical receptacle are located behind the wall. Models with -BAT or -MO options will not require electrical.

For model with -FRA2 Freeze Resistance refer to GYE14 Series.



### MODEL:

(Must Specify)

- M-OBR4-GRD Satin stainless finish (Shown)
- M-OBR5-GRD Green powder-coated
- M-OBR6-GRD Red powder-coated
- M-OBR7-GRD Blue powder-coated

Custom color finishes available upon request

### OPTIONS

(additional costs may be incurred)

- BAT Battery operated (N/A with -BCD bottle counter)
- BCD Bottle counter display (Not available with -BAT or -MO)
- LOGO Customer specified logo
- MO Bottle filler operated by pushbutton only (No Electrical Required)
- RBL Reverse Bi-Level (Bottle Filler Opposite) (Roughs-ins are opposite of shown)
- SK7 Cane Skirt
- A9100080-A 8 GPH remote water chiller (Locate on interior wall, not exposed to weather)

Complies with the following standards:



Federal Public Law 111-380 (No Lead)

NSF/ANSI/CAN 61

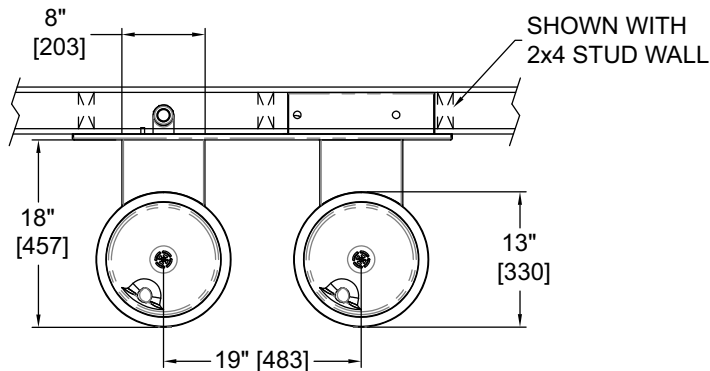
[Product Warranty](#)

⚠ WARNING: Cancer and Reproductive Harm - [www.P65Warnings.ca.gov](http://www.P65Warnings.ca.gov)

**M-OBR4-GRD Series**

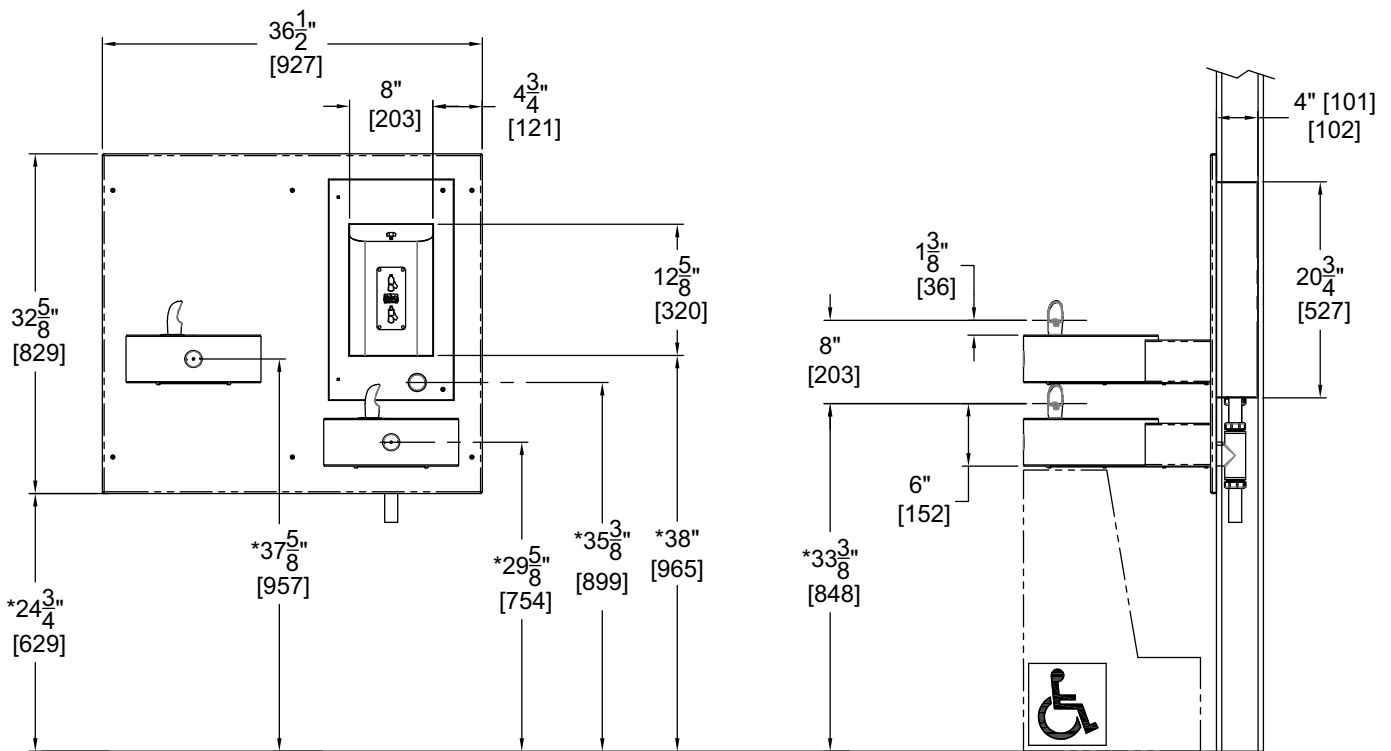
**MODEL M-OBR4-GRD**

**RECESSED OUTDOOR BOTTLE FILLER  
WITH BI-LEVEL DRINKING FOUNTAIN**



**GENERAL NOTES:**

1. ALL DIMENSIONS ARE IN INCHES [MM]
- \*2. DIMENSIONS SHOWN ARE FOR RECOMMENDED ADULT HEIGHT. ADJUST VERTICAL DIMENSIONS AS NECESSARY TO COMPLY WITH FEDERAL, STATE & LOCAL CODES
3. STOP VALVE NOT PROVIDED
4. REFER TO INSTALLATION NOTES PAGE 1



**SELECTION SUMMARY  
& APPROVAL FOR  
MANUFACTURING**

Model Number & Options \_\_\_\_\_ Quantity \_\_\_\_\_

Company \_\_\_\_\_

Contact \_\_\_\_\_ Title \_\_\_\_\_

Signature (Approval for Manufacturing) \_\_\_\_\_ Date \_\_\_\_\_

*All dimensions are subject to manufactures tolerance of plus or minus 1/4" nominal and subject to change without notice. Murdock<sup>®</sup> assumes no responsibility for use of void or superseded data. Dimensions may change with the addition of optional accessories. Murdock<sup>®</sup> Mfg., Member of Morris Group International<sup>®</sup>. Please visit [www.murdockmfg.com](http://www.murdockmfg.com) for most current specifications.*