

M-OBR4-GRC Series MODEL M-OBR4-GRC

RECESSED OUTDOOR BOTTLE FILLER
WITH GRC DRINKING FOUNTAIN

STANDARD FEATURES

- 115v Plug-in transformer
- Pushbutton and hands free sensor operated bottle filler
- 100 mesh inlet strainer
- Laminar Flow Water Supply
- 1.0 GPM Fill Rate
- Lead-free
- 1500 gallon Lead and cyst filter for bottle filler
- Bottle filler meets ADA forward side and reach requirements
- Vandal-resistant design
- Gasketed door for weather resistance
- ADA Complaint (when properly installed)
- Resistant to sunlight, heat, moisture and wear
- 18 gage, 304 stainless steel bowl
- 12 gage, heavy duty stainless steel arm, corrosion and scratch resistant
- Polished Stainless steel, anti-rotation non-squirt bubbler
- 120 VAC/9 VDC plug-in Transformer

SUGGESTED SPECIFICATIONS

Model M-OBR4-GRC is a recessed outdoor bottle filler. Housing has a slim and trim look that blends into your environment. Unit also has a strong vandal-resistant design for years of trouble-free service. Bottle filler shall be activated by a 9 volt sensor or a pushbutton as standard. Fixture has a self-closing pushbutton, needing less than 5 pounds of force which shall activate the internally mounted valve. When installed properly, the bottle filler complies with ADA forward and side reach requirements. Bottle filler is fabricated of type 304 stainless steel. Unit includes GRC series barrier free drinking fountain. Bottle filler cabinets and drinking fountain shall be either stainless steel with powder coat or satin finish. Unit complies with ANSI A117.1 and shall be certified to Public Law 111-380 (NO- LEAD) and NSF/ANSI/CAN 61. Fixture meets ADA requirements when mounted appropriately.

INSTALLATION NOTES: Refer to installation detail to ensure fixture Mounting Channel is compatible with wall construction type. P-trap Waste, water supply connection and electrical receptacle are located behind wall. Models with -BAT or - MO options will not require electrical.

For model with -FRA2 Freeze Resistance refer to GYE14 Series.

Complies with the following standards:



Federal Public Law 111-380 (No Lead) c



NSF/ANSI/CAN 61



Recyclable Product



Water Conserving Product

Product Warranty

⚠ WARNING: Cancer and Reproductive Harm - www.P65Warnings.ca.gov



MODEL:

(Must Specify)

- M-OBR4-GRC Satin stainless finish (Shown)
 - M-OBR5-GRC Green powder-coated
 - M-OBR6-GRC Red powder-coated
 - M-OBR7-GRC Blue powder-coated
- Custom color finishes available upon request

OPTIONS

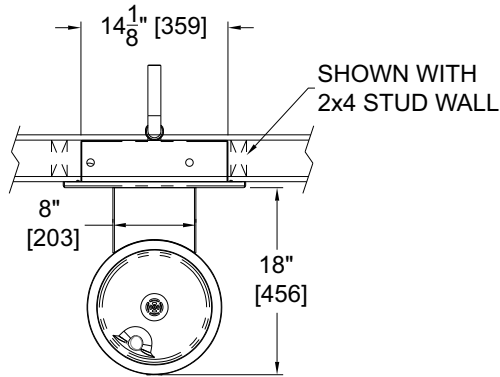
(additional costs may be incurred)

- BAT Battery operated (N/A with -BCD bottle counter)
- BCD Bottle counter display (Not available with -BAT or -MO)
- LOGO Customer specified logo
- MO Bottle filler operated by pushbutton only (No Electrical Required)
- A9100080-A 8 GPH remote water chiller (Located on interior wall, not exposed to weather)

M-OBR4-GRC Series

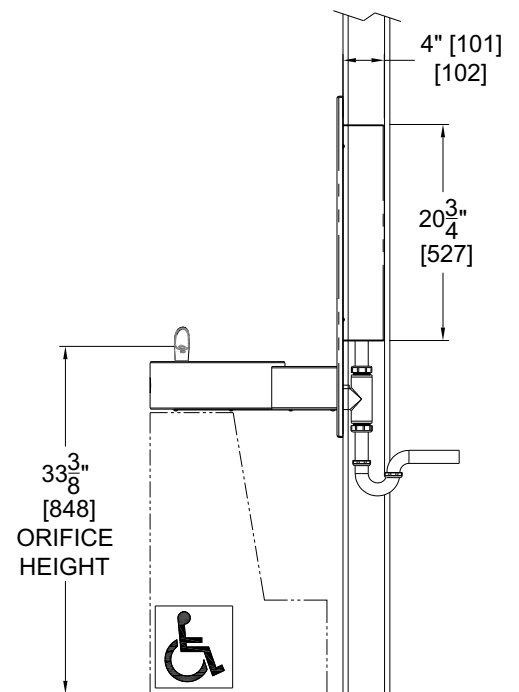
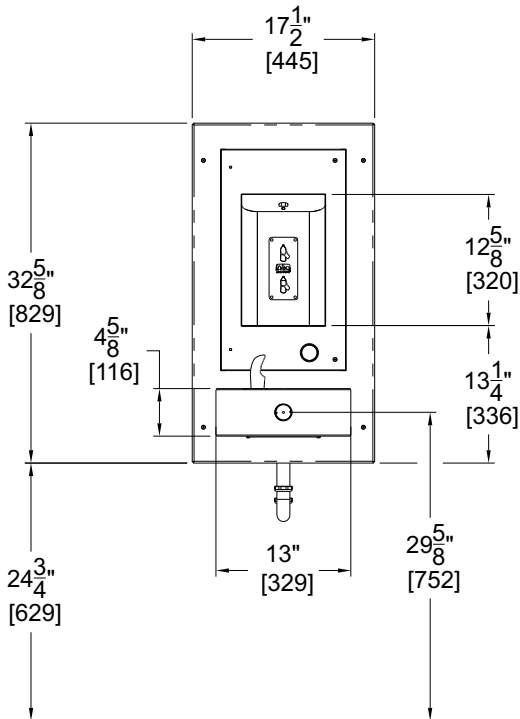
MODEL M-OBR4-GRC

**RECESSED OUTDOOR BOTTLE FILLER
WITH GRC DRINKING FOUNTAIN**



GENERAL NOTES:

1. ALL DIMENSIONS ARE IN INCHES [MM]
- *2. DIMENSIONS SHOWN ARE FOR RECOMMENDED ADULT HEIGHT. ADJUST VERTICAL DIMENSIONS AS NECESSARY TO COMPLY WITH FEDERAL, STATE & LOCAL CODES
3. STOP VALVE NOT PROVIDED
4. REFER TO INSTALLATION NOTES PAGE 1.



SELECTION SUMMARY & APPROVAL FOR MANUFACTURING	Model Number & Options _____	Quantity _____	<p><i>All dimensions are subject to manufactures tolerance of plus or minus 1/4" nominal and subject to change without notice. Murdock[®] assumes no responsibility for use of void or superseded data. Dimensions may change with the addition of optional accessories. Murdock[®] Mfg., Member of Morris Group International[®]. Please visit www.murdockmfg.com for most current specifications.</i></p>
	Company _____		
	Contact _____	Title _____	
	Signature (Approval for Manufacturing) _____	Date _____	