

OBF Series

**MODEL M-OBF4
OUTDOOR BOTTLE FILLER**

STANDARD FEATURES

- All Stainless Steel Construction
- Battery Pack 6AA
- 100 Mesh Inlet Strainer
- Laminar Flow Water Supply
- Hands Free Sensor Operation
- Lead and Cyst Filter
- Meets ADA Forward and Side Reach Requirements

SUGGESTED SPECIFICATIONS

Model M-OBF4 Bottle filler shall be activated by a 9 volt sensor or the push-button as standard. Unit shall contain a 100 mesh inlet strainer, lead and cyst filter, 6-AA battery pack and laminar flow spout. Construction shall be heavy gage, all stainless steel and pedestal base of bottle filler shall have four mounting holes. Access covers shall be secured with vandal-resistant stainless steel screws. A self-closing push-button, needing less than 5 pounds force, shall activate an internally mounted valve. Unit is certified to meet NSF/ANSI 61, Section 9, Public Law 111-380 (No-Lead) and CHSC 116875.

Option Notes:

¹ See separate option sheet

² This option is not available freeze-resistant



Model M-OBF4-PF Shown

MODEL:

(Must Specify)

PUSHBUTTON AND SENSOR OPERATION

- M-OBF4 Satin Stainless Finish
- M-OBF5 Green Powder-Coated
- M-OBF6 Red Powder-Coated
- M-OBF7 Blue Powder-Coated

PUSHBUTTON OPERATION ONLY

- M-OBFM4 Satin Stainless Finish
- M-OBFM5 Green Powder-Coated
- M-OBFM6 Red Powder-Coated
- M-OBFM7 Blue Powder-Coated

Custom color finishes available upon request

OPTIONAL ACCESSORIES

(additional costs may be incurred)

- FRU1 Underground freeze-resistant single valve (push-button operation only, less filter)
- FRU2 Underground freeze-resistant double valves (push-button operation only, less filter)¹
- HB1 Hose bibb with vacuum breaker^{1 2}
- HB3 Vandal resistant Hose bibb with vacuum breaker^{1 2}
- IAP In-ground anchor plate¹
- LOGO Customer specified logo¹
- PF Pet fountain with push-button valve¹

Complies with the following standards:



Member of U.S. Green Building Council



Recyclable Product



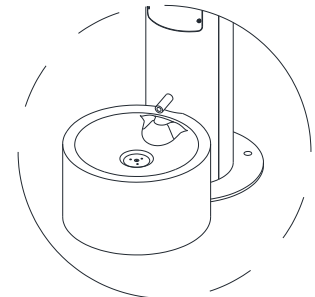
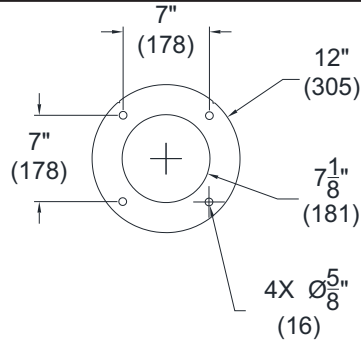
Water Conserving Product

WARNING: Cancer and Reproductive Harm - www.P65Warnings.ca.gov

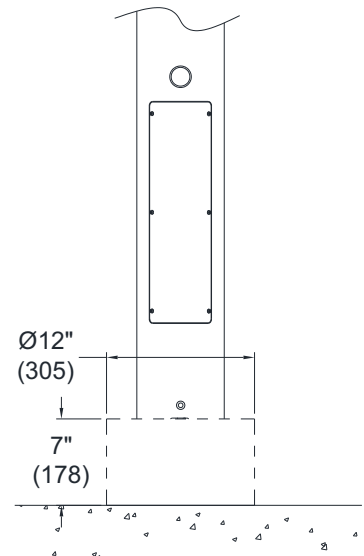
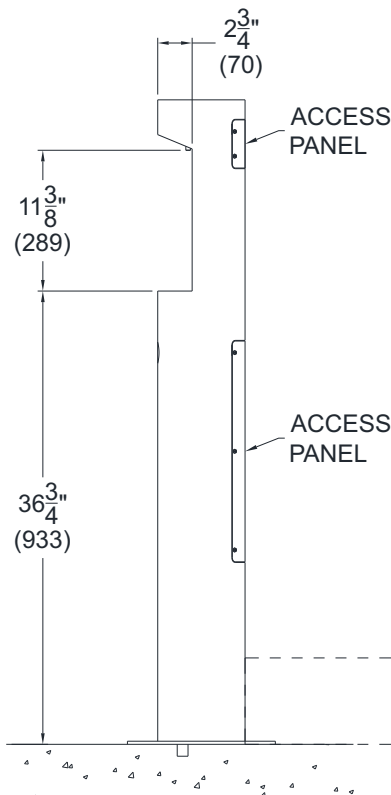
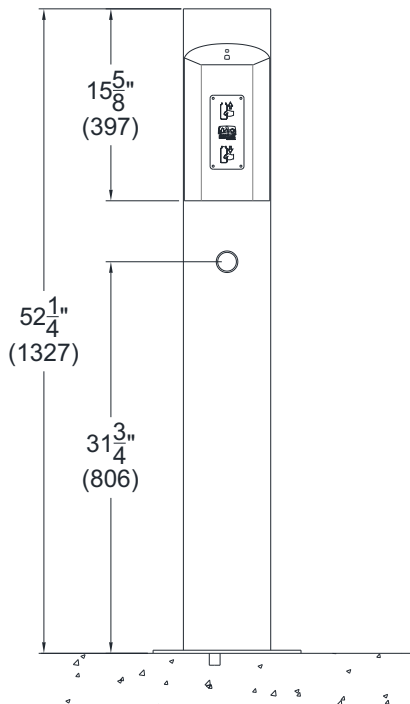
IMPORTANT: INSTALLATION AND SITE PREP FOR FREEZE RESISTANT OPTIONS "-FRU" WILL DIFFER FROM STANDARD. REFER TO DESIGNATED FREEZE RESISTANT INSTALLATION DETAILS.

OBF Series

**MODEL M-OBF4
OUTDOOR BOTTLE FILLER**



OPTIONAL -PF PET FOUNTAIN
DETAIL



OPTIONAL -PF PET FOUNTAIN

GENERAL DIMENSIONS:

1. ALL DIMENSIONS ARE IN INCHES (MM).
2. STOP VALVE NOT PROVIDED.

Murdock Mfg.™ warrants that its products are free from defects in material or workmanship under normal use and service for a period of one year from date of shipment. Murdock's liability under this warranty shall be discharged solely by replacement or repair of defective material, provided Murdock™ is notified in writing within one year from date of shipment, F.O.B. Industry, California.

SELECTION SUMMARY
& APPROVAL FOR
MANUFACTURING

Model Number & Options _____ Quantity _____

Company _____

Contact _____ Title _____

Signature _____ Date _____
(Approval for Manufacturing)

All dimensions are nominal and subject to change without notice. Murdock assumes no responsibility for use of void or suspended data. © Copyright Murdock Mfg, Morris Group International Please visit www.murdockmfg.com for most current specifications.