



# Maintenance Advantage<sup>®</sup>

## Water Cooler by Murdock Manufacturing

# Less is More.

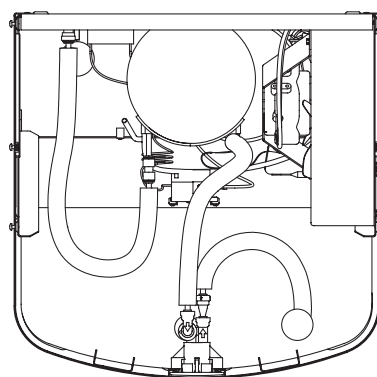
Easy Maintenance + Fewer Parts = MORE SAVINGS!

- **Less Time:** Routine maintenance takes 2 minutes.
- **Less Maintenance:** Access water shut off, cartridge, and filter from the front without removing the shroud!
- **Less Expense:** Fewer parts to repair and less expensive parts.
- **Less Work:** Universal rough-in will match existing footprints for easy retrofit.
- **Water Shut Off:** Patented Auto Stop.
- **Premium Features at a Value Price.**
- Available with Bottle Filler

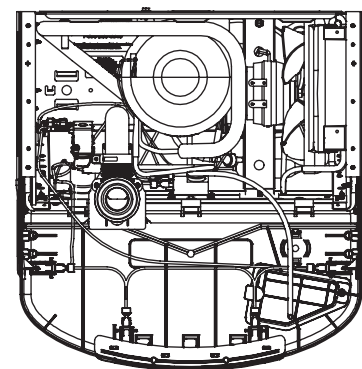


*Designed with Ease of Maintenance in Mind!*

Barrier-Free, Wall Mount Water Cooler with H2O to go!<sup>®</sup> Deck Mount Sensor Activated Bottle Filler  
A171408F-BF12-BCD



Top View of an Murdock Water Cooler - **27 Parts**



Top View of a Typical Water Cooler - **60+ Parts**

**murdock**<sup>®</sup> SINCE 1853 **MURDOCK MANUFACTURING**  
Member of Morris Group International

P.O. Box 3527 • City of Industry, CA 91744-0527 U.S.A • Tel 800.453.7465  
[www.murdockmfg.com](http://www.murdockmfg.com)

  
**MORRIS GROUP**  
INTERNATIONAL<sup>®</sup>  
[www.morrisgroup.co](http://www.morrisgroup.co)