



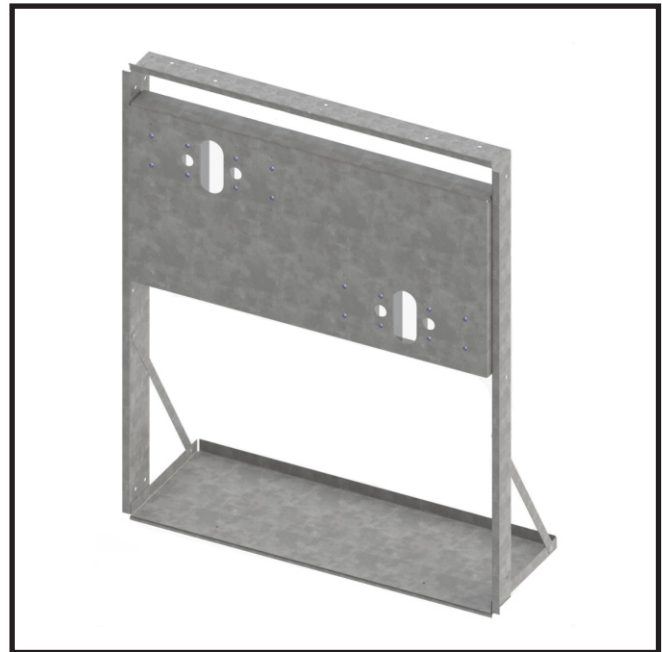
# OPTIONS

## OPTION -MF5

MOUNTED FRAME  
BI-LEVEL REFRIGERATED FOUNTAIN

### STANDARD FEATURES

- Heavy gage galvanized steel
- Pre-drilled mounting holes



### MODEL: *(Must Specify)*

- A0000000-MF5 In-the-wall mounting frame for bi-level, refrigerated fountains

### SUGGESTED SPECIFICATIONS

Model A0000000-MF5 is an in-the-wall mounting frame for bi-level, refrigerated fountains. The mounting frame provides additional support and is manufactured from a heavy gage galvanized steel and supplied with pre-drilled mounting holes.



Member of  
U.S. Green  
Building  
Council



Recyclable  
Product



Water  
Conserving  
Product

 WARNING: Cancer and Reproductive Harm - [www.P65Warnings.ca.gov](http://www.P65Warnings.ca.gov)

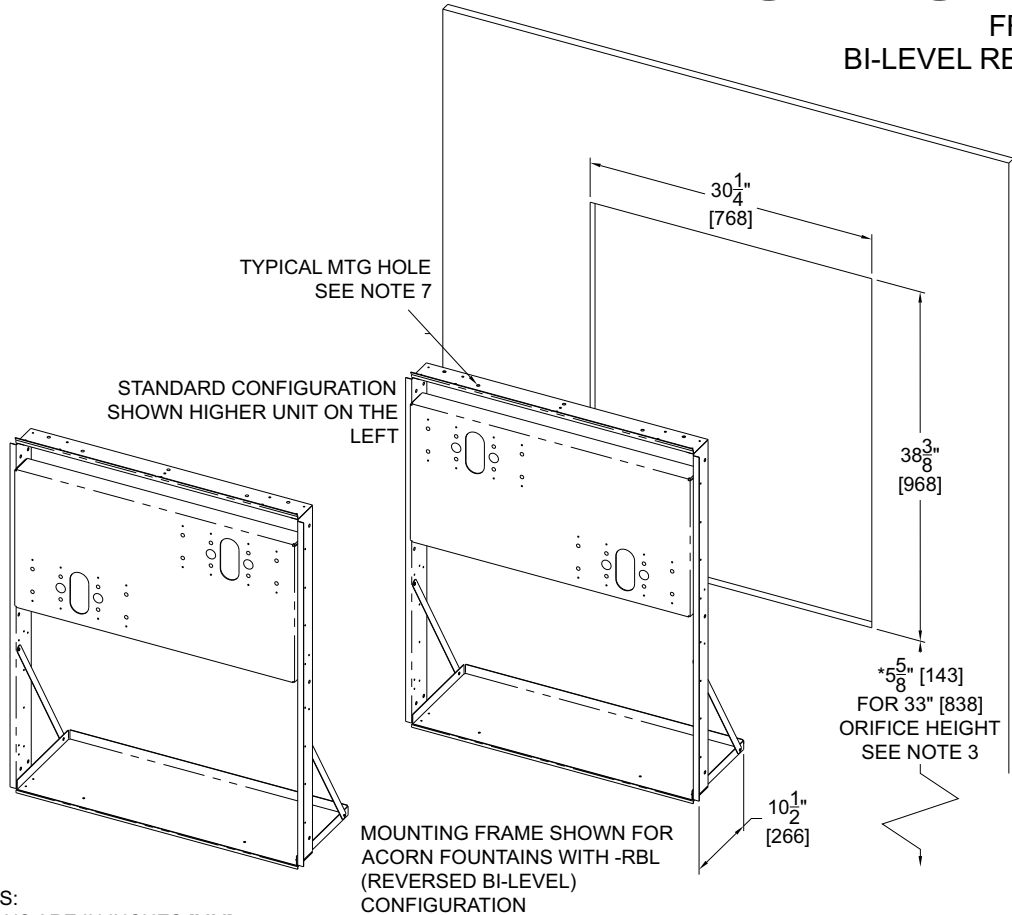
MURDOCK MFG. • 15125 Proctor Avenue • City of Industry, CA 91746 USA  
Phone 800-453-7465 or 626-333-2543 • Fax 626-855-4860 • [www.murdockmfg.com](http://www.murdockmfg.com)

Member of  
MORRIS GROUP  
INTERNATIONAL



# OPTIONS

## OPTION -MF5 FRAME MOUNT BI-LEVEL REFRIGERATED FOUNTAIN



**GENERAL NOTES:**

1. ALL DIMENSIONS ARE IN INCHES [MM].
2. MOUNTING FRAME FOR USE WITH BI-LEVEL FOUNTAINS.
- \*3. VERTICAL FRAME HEIGHT IS SHOWN FOR RECOMMENDED ADA ADULT HEIGHT, PROVIDING 33" [838] ORIFICE DISCHARGE HEIGHT w/ 27" [686] KNEE CLEARANCE. ADJUST VERTICAL DIMENSIONS AS NECESSARY TO COMPLY WITH FEDERAL, STATE & LOCAL CODES. REFER TO FOUNTAIN ROUGH-IN FOR MORE DETAILS ON FIXTURE.
4. HOLD ROUGH-IN ±1/8" [3].
5. THIS FRAME IS USED WITH SEVERAL FOUNTAIN MODELS. WASTE & SUPPLY HEIGHTS ARE DETAILED IN THE FOUNTAIN ROUGH-IN DRAWING.
6. FRAME MUST BE INSTALLED SO THE SIDE LIP OF THE FRAME OVER LAPS & BUTTS UP AGAINST THE FINISHED WALL.
7. SECURE THE FOUNTAIN FRAMES TO THE WALL AND SPACER USING 1/4" LAG SCREW IN Ø5/16" [8].

*Murdock Mfg.™ warrants that its products are free from defects in material or workmanship under normal use and service for a period of one year from date of shipment. Murdock's liability under this warranty shall be discharged solely by replacement or repair of defective material, provided Murdock™ is notified in writing within one year from date of shipment, F.O.B. Industry, California.*

<b>SELECTION SUMMARY &amp; APPROVAL FOR MANUFACTURING</b>	Model Number & Options _____	Quantity _____	All dimensions are subject to manufactures tolerance of plus or minus 1/2" nominal and subject to change without notice. Murdock assumes no responsibility for use of void or superseded data. Dimensions may change with the addition of optional accessories. Murdock Mfg.™, Member of Morris Group International™. Please visit <a href="http://www.murdockmfg.com">www.murdockmfg.com</a> for most current specifications.
	Company _____		
	Contact _____	Title _____	
	Signature (Approval for Manufacturing) _____	Date _____	