



TRADITIONAL DRINKING FOUNTAINS

Special Application

MODEL M-PFS

PET FOUNTAIN

STANDARD FEATURES

Model M-PFS pet fountain features design simplicity. This unit includes a single aluminum alloy fountain bowl. The fountain is operated by a self closing spigot valve. Standard model is seasonal, not freeze resistant. Heavy-duty construction ensures durability and field-servicable components are easily accessible. Base is finished in *Chestnut Brown*.

SUGGESTED SPECIFICATIONS

Pet fountain shall be Murdock model M-PFS. Unit shall be furnished with one fountain bowl mounted on the pedestal.

Pedestal shall be a heavy duty iron casting and base of pedestal shall have four mounting holes. Pedestal shall be finished with a heavy grade of oil-based brown enamel.

Bowl shall be round, aluminum alloy casting two 3/8" holes for draining.

Spigot valve shall be self-closing, handle operated and constructed of cast brass with a rough chrome plated finish. Supply line shall be lead free brass piping with 1/2" NPT connection .

All solid brass castings shall conform to ASTM standards B61 and B62. Spigot valve is certified to Public Law 111-380 (NO-LEAD), CHSC 116875 and NSF/ANSI 61, Section 9.



Standard Model: M-PFS

OPTIONS

(additional costs may be incurred)

- FRU1 Year-round freeze resistant ¹ (available only with PF option)
- PF Pet fountain with pushbutton valve ¹
- **Black** Pedestal color black
- **Green** Pedestal color green

Options Notes:

¹ See separate option sheet.

Custom color finishes available upon request.

Complies with the following standards:



Federal Public Law 111-380 (No Lead)



Member of U.S. Green Building Council



Recyclable Product



Water Conserving Product

WARNING: Cancer and Reproductive Harm - www.P65Warnings.ca.gov

MURDOCK MFG. • 15125 Proctor Avenue • City of Industry, CA 91746 USA
Phone 800-453-7465 or 626-333-2543 • Fax 626-855-4860 • www.murdockmfg.com

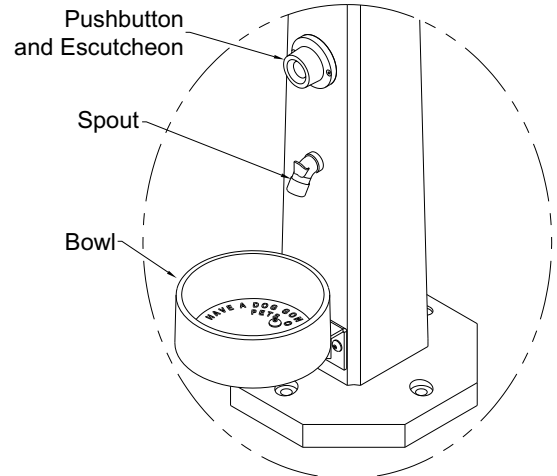
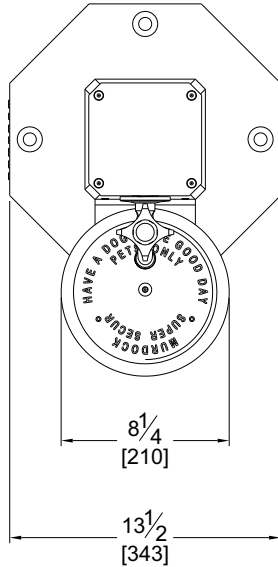
Member of **MORRIS GROUP INTERNATIONAL**



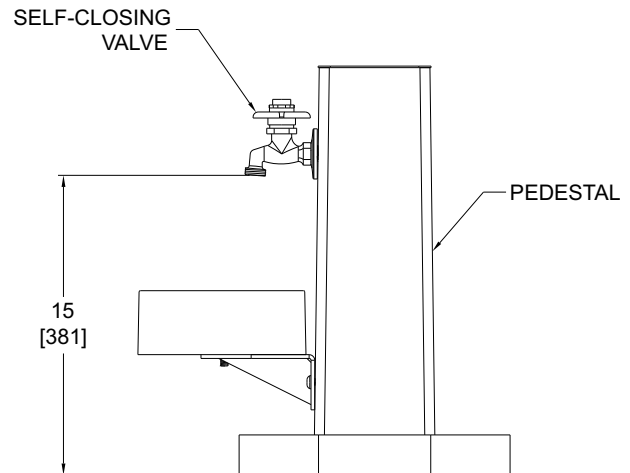
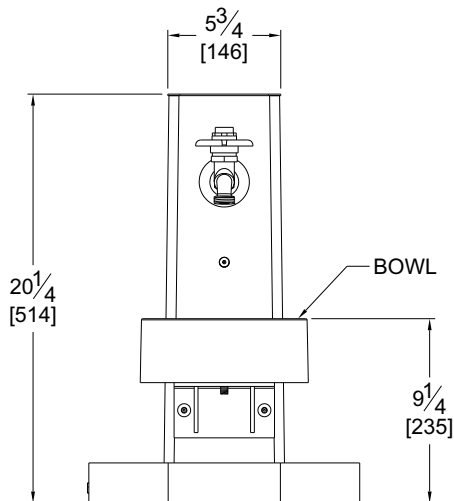
TRADITIONAL DRINKING FOUNTAINS

Special Application

MODEL M-PFS PET FOUNTAIN



OPTIONAL -PF PET FOUNTAIN



Murdock Mfg.™ warrants that its products are free from defects in material or workmanship under normal use and service for a period of one year from date of shipment. Murdock's liability under this warranty shall be discharged solely by replacement or repair of defective material, provided Murdock™ is notified in writing within one year from date of shipment, F.O.B. Industry, California.

SELECTION SUMMARY & APPROVAL FOR MANUFACTURING	Model Number & Options _____	Quantity _____	All dimensions are subject to manufactures tolerance of plus or minus 1/2" nominal and subject to change without notice. Murdock assumes no responsibility for use of void or superseded data. Dimensions may change with the addition of optional accessories. Murdock Mfg.™, Member of Morris Group International™. Please visit www.murdockmfg.com for most current specifications.
	Company _____		
	Contact _____	Title _____	
	Signature (Approval for Manufacturing) _____	Date _____	

MURDOCK MFG. • 15125 Proctor Avenue • City of Industry, CA 91746 USA
Phone 800-453-7465 or 626-333-2543 • Fax 626-855-4860 • www.murdockmfg.com

Member of
MORRIS GROUP
INTERNATIONAL