



TRADITIONAL DRINKING FOUNTAINS

INSTALLATION/MAINTENANCE INSTRUCTIONS

INSTALLATION INSTRUCTIONS FOR PET FOUNTAIN M-PFS

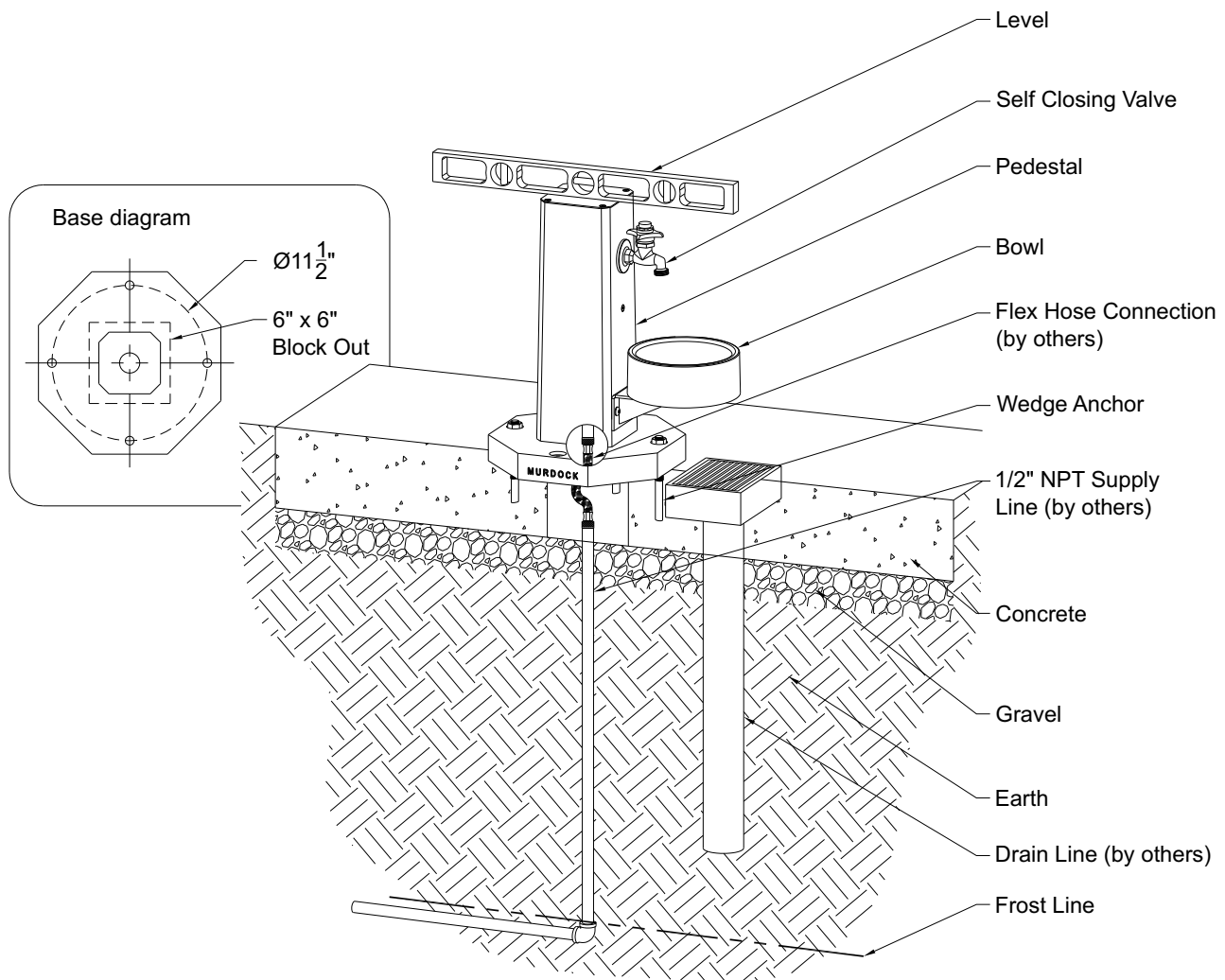
Prepare trench for water-supply line and waste line by others (if required). Below fountain location, prepare hole to trench depth and large enough for a person to work. Lay water-supply line and waste line (if required) into trench. Run flexible supply line to above grade level, allowing extra line length to be trimmed during hook-up.

Back-fill trench and hole, leaving sufficient depth in hole to accommodate concrete slab. Compact back-filled earth. Spread and compact gravel as necessary. Build form approximately 6" square around supply and floor drain lines (if required). Pour concrete to grade level. Finish concrete as necessary, ensuring that top surface of slab is flat and level. Remove form after concrete has set up.

After concrete has cured, position drinking fountain in desired location. Using pedestal base as template, mark mounting-hole locations on concrete. Remove fountain and drill 5/8" diameter holes approximately 6" deep in concrete at markings. Drive 5/8" x 6" wedge anchors into holes and remove nuts.

Support fountain on boards above desired location. Connect supply line to supply connection in pedestal base. Remove support boards and lower fountain to rest on concrete, making certain that mounting holes in pedestal base fit around anchor shanks.

Lay bubble level across fountain bowl and shim pedestal base as necessary to ensure that fountain is plumb. Secure nuts onto anchors. Installer shall ensure that supply pressure does not exceed 40 psi.



Please visit www.murdock-supersecur.com for most current specifications.

MURDOCK-SUPER SECUR • 15125 Proctor Avenue • City of Industry, CA 91746 USA
Phone 800-453-7465 or 626-333-2543 • Fax 626-855-4860 • www.murdock-supersecur.com

