

SafeWater[®] ADA Hydrant
MODELS M-NPL75A AND M-NPL75B
3/4" FREEZE RESISTANT POST HYDRANT
NON-POLLUTABLE, LEVER-OPERATED

STANDARD FEATURES

Units comply with ADA requirements and Federal Accessibility Standards for Water Hydrants and Water Spouts (Outdoor Developed Areas) when installed in conformance to Guideline. Compliance is subject to interpretation of Local Code Authority.

Models M-NPL75A and M-NPL75B deliver year-round service outside or in unheated buildings. The control valve is located below the frost line. Raising the lever opens the valve and lowering the lever shuts water off. The lever may be locked closed with a padlock (not included).

These models meet accessibility requirements with the handle taking less than 5 pounds of force. The nozzle is located 28" minimum above the ground.

Model M-NPL75A is turned on by raising the handle straight up. The hydrant will stay open if the handle is turned further to the left.

Model M-NPL75B is turned on by raising the handle straight up. The handle will not go to the stay-open position and the water will turn off if the user lets go of the handle.

After use, water inside the supply column is stored in a reservoir below the frost line and is expelled through the nozzle at the beginning of the next usage. This potable hydrant is protected against any surface or underground contamination. Recommended maximum operating pressure is 80 psi.

SUGGESTED SPECIFICATIONS

Hydrant shall be Murdock model M-NPL75A or M-NPL75B. Lever-operated hydrant shall be ASSE 1057 certified as a potable hydrant. Hydrant shall not operate using venturi action. Unit shall be capable of year-round use in freezing weather. Hydrant shall have a flow rate of 2.5 gpm at 30 psi. Hydrant shall be serviceable from above grade.

Unit shall extend below grade level so that supply inlet, valve and reservoir are positioned below frost line. During shutoff, a piston shall draw water from the supply column into a reservoir. At the next usage, the piston shall expel the water in the reservoir through the nozzle before fresh water flows. The water supply shall be protected against any surface or underground contamination.

Stock, top, base and handle shall be fabricated of heavy, one-piece iron castings finished with a heavy grade of oil-based green enamel. Solid brass castings in nozzle and inner supply assembly shall conform to ASTM standards B61, B62 and ASSE 1057 Lead-free castings shall be used in all waterways. Nozzle shall have a plain, un-threaded outlet.



MODEL:

(Must Specify)

- M-NPL75A Stay-Open ADA Hydrant
- M-NPL75B Self-Closing ADA Hydrant

DEPTH OF BURY *(additional costs may be incurred)*

- 2 ft. (61 cm)
- 3 ft. (91.4 cm)
- 4 ft. (121.9 cm)
- 5 ft. (152.4 cm)
- 6 ft. (182.9 cm)

OPTIONS *(additional costs may be incurred)*

- VB Nozzle with 3/4" Threaded Outlet and ASSE 1011 Vacuum Breaker



Recyclable Product

Complies with the following standards:



Federal Public Law 111-380 (No Lead)

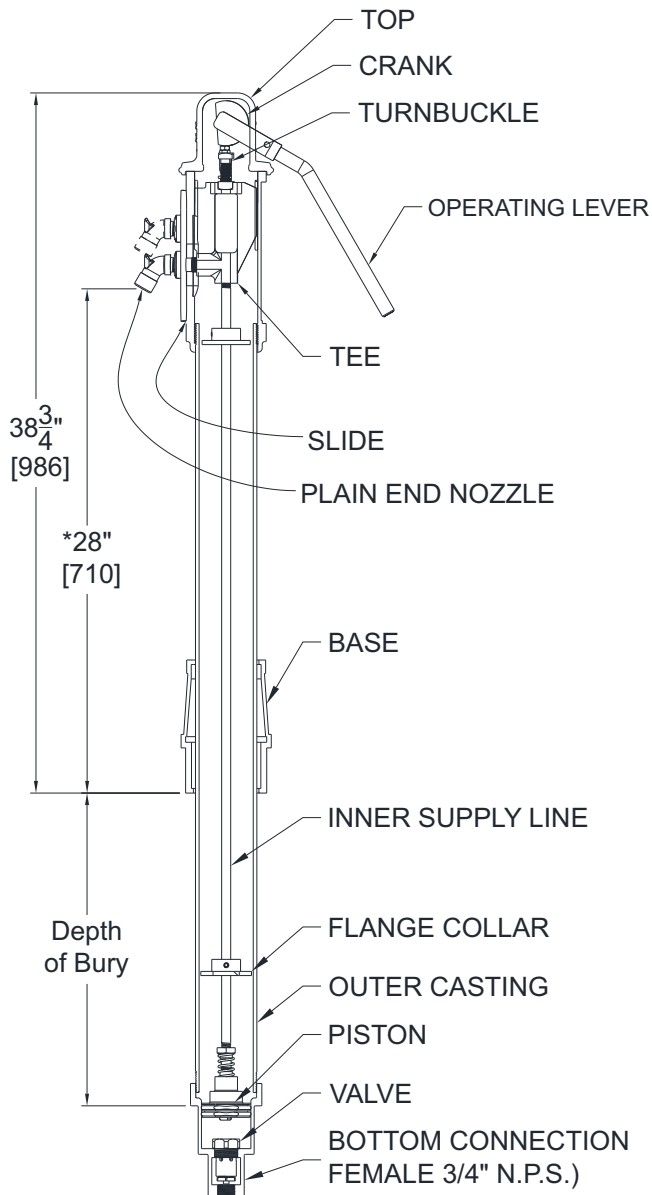


Certified by:



WARNING: Cancer and Reproductive Harm - www.P65Warnings.ca.gov

SafeWater[®] ADA Hydrant
MODEL M-NPL75A/B
3/4" FREEZE RESISTANT POST HYDRANT
NON-POLLUTABLE, LEVER-OPERATED



*HEIGHT OF BRASS NOZZLE CHANGES FROM 28" TO 30" WHEN IT IS IN THE "OFF" POSITION.

SELECTION SUMMARY
& APPROVAL FOR
MANUFACTURING

Model Number & Options _____ Quantity _____

Company _____

Contact _____ Title _____

Signature _____ Date _____
(Approval for Manufacturing)

All dimensions are subject to manufactures tolerance of plus or minus 1/4" nominal and subject to change without notice. Murdock[®] assumes no responsibility for use of void or superseded data. Dimensions may change with the addition of optional accessories. Murdock[®] Mfg., Member of Morris Group International[®]. Please visit www.murdockmfg.com for most current specifications.