



HYDRANTS

Post Hydrant

MODEL M-HH1

3/4" FREEZE RESISTANT, SELF-CLOSING
PEDAL OPERATED POST HYDRANT

STANDARD FEATURES

Model M-HH1 delivers year-round service outside or in unheated buildings. To provide freeze resistant functionality, the Control Valve is located below the frost line. To operate: step on the Pedal, which raises the internal supply-line assembly to open the Valve. When the Pedal is released, the Self-Closing Spring lowers the internal supply-line assembly to close the Valve. Constructed of heavy lead-free brass, premium-quality iron and aluminum bronze castings, the M-HH1 is designed for trouble-free reliability and easy maintenance.

SUGGESTED SPECIFICATIONS

Hydrant shall be Murdock-Super Secur model M-HH1. Unit shall be capable of year-round use in freezing weather.

Unit shall extend below grade level so that centerline of Supply Inlet is positioned at or below frost line. Inlet shall have 3/4" NPT male connection.

Water shall be gravity-evacuated from Inner Supply Column when Valve is shut off.

Valve shall be pedal operated. Pedal shall be fabricated of one-piece aluminum bronze casting finished with a heavy grade of black enamel paint. Pedestal shall be fabricated of heavy, one-piece iron casting finished with a heavy grade black enamel paint. Horse Head shall be one-piece iron casting finished with a heavy grade white enamel paint.

Inner Supply Assembly shall incorporate solid brass castings. All solid brass castings shall conform to ASTM standards B61 and B62. Lead-free castings are used in all waterways.

Outer Casing shall be black iron pipe, finished with a heavy grade of black enamel paint.

Hydrant shall consist of internal supply line and a surrounding Outer Casing Pipe for protection of waterway.



Standard Model: M-HH1

DEPTH OF BURY (additional costs may be incurred)

- | | |
|---|---|
| <input type="checkbox"/> 2 ft. (61 cm) | <input type="checkbox"/> 5 ft. (152.4 cm) |
| <input type="checkbox"/> 3 ft. (91.4 cm) | <input type="checkbox"/> 6 ft. (182.9 cm) |
| <input type="checkbox"/> 4 ft. (121.9 cm) | <input type="checkbox"/> Other _____ |

OPTIONS (additional costs may be incurred)

- | | |
|-------------------------------|---|
| <input type="checkbox"/> -BFH | Double Ball Check Valve and Vacuum Breaker* |
| <input type="checkbox"/> -VB | Vacuum Breaker |
| <input type="checkbox"/> -R01 | Shut-Off Valve with Plate* |
| <input type="checkbox"/> | Sewer Drain Connection |

* See separate option sheets



Member of
U.S. Green
Building
Council



Recyclable
Product

WARNING: Cancer and Reproductive Harm - www.P65Warnings.ca.gov

MURDOCK MFG. • 15125 Proctor Avenue • City of Industry, CA 91746 USA
Phone 800-453-7465 or 626-333-2543 • Fax 626-855-4860 • www.murdockmfg.com

Member of
MORRIS GROUP
INTERNATIONAL

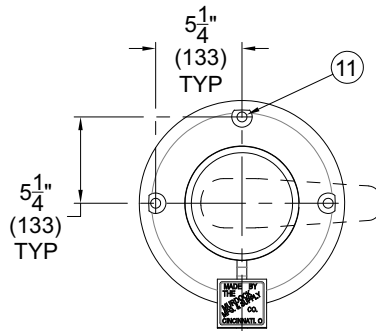


HYDRANTS

Post Hydrant

MODEL M-HH1

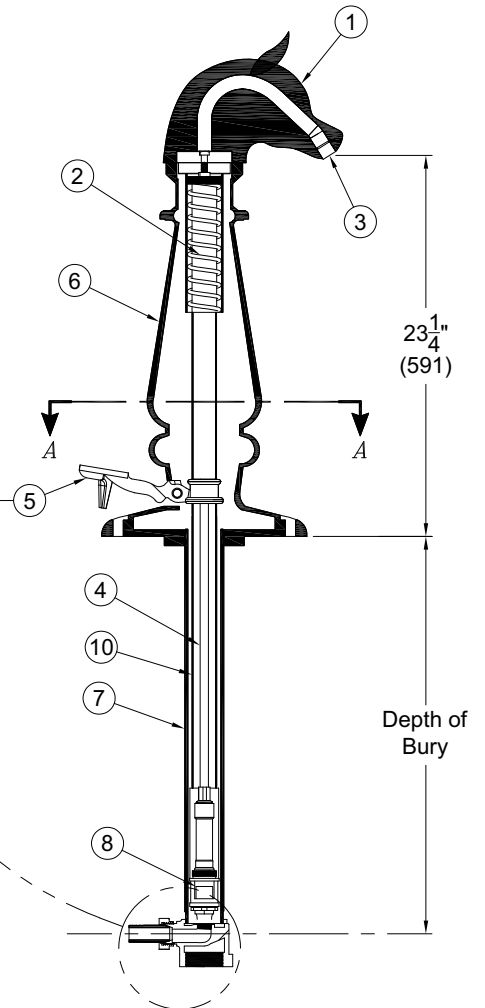
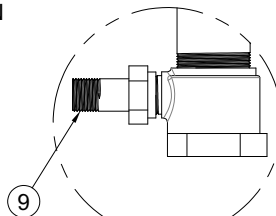
3/4" FREEZE RESISTANT, SELF-CLOSING
PEDAL OPERATED POST HYDRANT



SECTION A-A

- ① HORSE HEAD TOP
- ② SPRING
- ③ CONCEALED COPPER PIPE, PLAIN END DISCHARGE
- ④ INNER SUPPLY PIPE
- ⑤ PEDAL
- ⑥ PEDESTAL STOCK
- ⑦ OUTER CASING
- ⑧ VALVE
- ⑨ 3/4" MALE NPT BRASS SUPPLY CONNECTION
- ⑩ INNER CASING
- ⑪ Ø5/8" MOUNTING POINTS FOR INSTALLER PROVIDED ANCHORING HARDWARE (4 PLACES)

PEDAL SHOWN 90°
OUT OF POSITION
FOR CLARITY



Murdock Mfg.™ warrants that its products are free from defects in material or workmanship under normal use and service for a period of one year from date of shipment. Murdock's liability under this warranty shall be discharged solely by replacement or repair of defective material, provided Murdock™ is notified in writing within one year from date of shipment, F.O.B. Industry, California.

SELECTION SUMMARY & APPROVAL FOR MANUFACTURING	Model Number & Options _____	Quantity _____	All dimensions are subject to manufactures tolerance of plus or minus 1/2" nominal and subject to change without notice. Murdock assumes no responsibility for use of void or superseded data. Dimensions may change with the addition of optional accessories. Murdock Mfg.™, Member of Morris Group International™. Please visit www.murdockmfg.com for most current specifications.
	Company _____		
	Contact _____	Title _____	
	Signature (Approval for Manufacturing) _____	Date _____	

MURDOCK MFG. • 15125 Proctor Avenue • City of Industry, CA 91746 USA
Phone 800-453-7465 or 626-333-2543 • Fax 626-855-4860 • www.murdockmfg.com

Member of
MORRIS GROUP
INTERNATIONAL