

Classic Series

MODEL M-C76A OLD STYLE DRINKING FOUNTAIN WITH BOWL ON ARM

STANDARD FEATURES

Model M-C76A is a drinking fountain of Victorian-era design. This single fountain has bowl mounted on an arm and meets ADA requirements for wheelchair users. The fountain includes a polished, cast brass bowl and stainless steel bubbler operated by separate stainless steel pushbutton control. Standard model is seasonal, not freeze resistant and includes a protective, high gloss, black enamel finish. Heavy-duty cast iron construction with cast brass bowl ensures trouble-free reliability. Field-serviceable components are easily accessible.

SUGGESTED SPECIFICATIONS

Drinking fountain shall be Murdock model M-C76A. Unit shall be furnished with one fountain bowl mounted on an arm.

Pedestal and arm shall be heavy duty iron castings and base of pedestal shall have four mounting holes. Pedestal and arm shall be finished with a heavy grade of oil-based black enamel. Access covers shall be secured with vandal resistant stainless steel screws.

Bowl shall be round, solid brass casting. Unit shall be activated by self-closing pushbutton, needing less than 5 pounds of force, which activates an internally mounted valve with adjustable stream regulator controlling the water flow. Bubbler shall be stainless steel and operate on a water pressure range of 30 - 105 psig. All solid brass castings shall conform to ASTM standards B61 and B62. Unit shall conform to ANSI A117.1, 2010 ADA Standards for Accessible Design, ANSI/NSF 61-9, and Public Law 111-380.



Standard Model: M-C76A

OPTIONS

(additional costs may be incurred)

- FRU1 Underground freeze-resistant valve for one bowl¹
- FRU2 Underground freeze-resistant valve for two bowls¹
- PF Pet fountain with pushbutton valve¹
- Chrome plated cast brass bowl
- Powder-coated cast brass bowls
- Chrome plated bubbler
- Brown Pedestal and arm color brown
- Green Pedestal and arm color green

Options Notes:

¹ See separate option sheet.

² This option is not available freeze-resistant.

Custom color finishes available upon request.

Complies with the following standards:



Member of
U.S. Green
Building
Council



Recyclable
Product



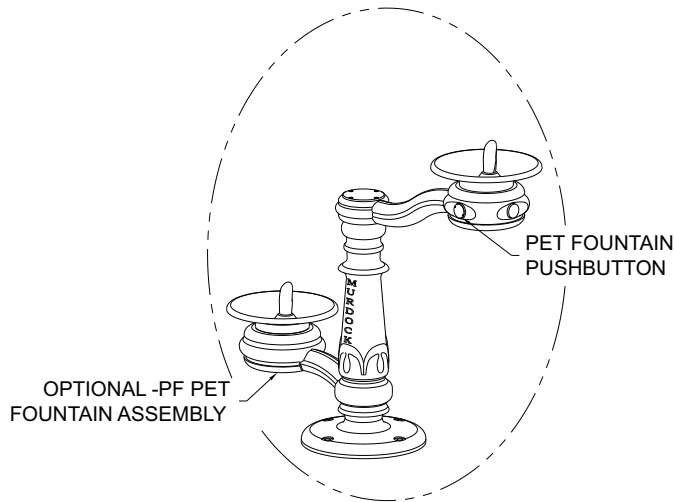
Water
Conserving
Product

WARNING: Cancer and Reproductive Harm - www.P65Warnings.ca.gov

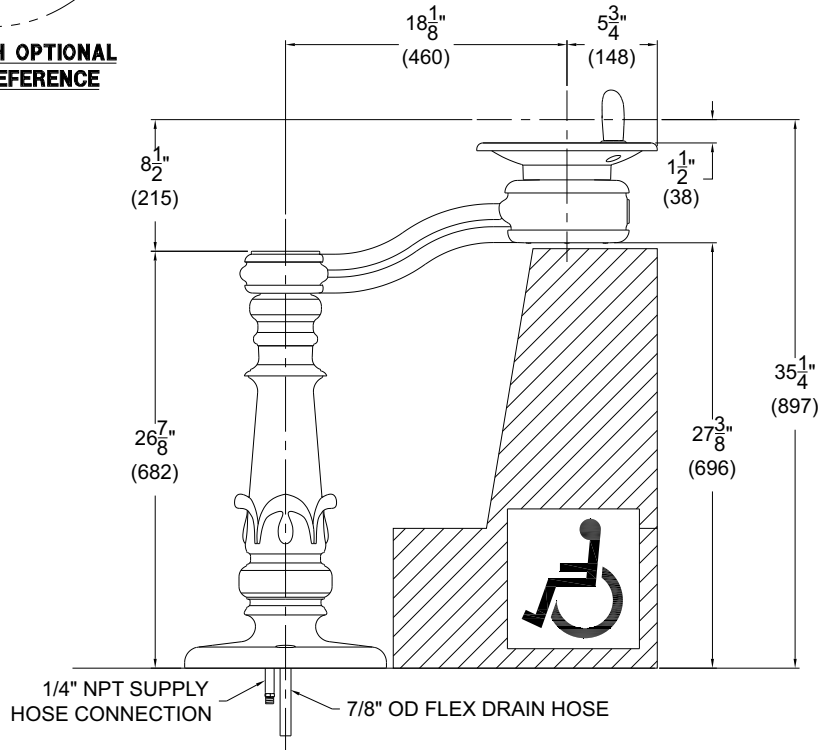


TRADITIONAL DRINKING FOUNTAINS

Classic Series MODEL M-C76A OLD STYLE DRINKING FOUNTAIN WITH BOWL ON ARM



**SHOWN WITH OPTIONAL
-PF FOR REFERENCE**



* Valve specifications:
Minimum/Maximum Pressure
30 to 100 psi.

Murdock Mfg.™ warrants that its products are free from defects in material or workmanship under normal use and service for a period of one year from date of shipment. Murdock's liability under this warranty shall be discharged solely by replacement or repair of defective material, provided Murdock™ is notified in writing within one year from date of shipment, F.O.B. Industry, California.

SELECTION SUMMARY & APPROVAL FOR MANUFACTURING	Model Number & Options _____	Quantity _____	<p>All dimensions are subject to manufactures tolerance of plus or minus 1/2" nominal and subject to change without notice. Murdock assumes no responsibility for use of void or superseded data. Dimensions may change with the addition of optional accessories. Murdock Mfg.™, Member of Morris Group International™. Please visit www.murdockmfg.com for most current specifications.</p>
	Company _____		
	Contact _____	Title _____	
	Signature (Approval for Manufacturing) _____	Date _____	

MURDOCK MFG. • 15125 Proctor Avenue • City of Industry, CA 91746 USA
Phone 800-453-7465 or 626-333-2543 • Fax 626-855-4860 • www.murdockmfg.com

Member of
MORRIS GROUP
INTERNATIONAL