

INSTALLATION INSTRUCTIONS FOR HYDRANT M-6150

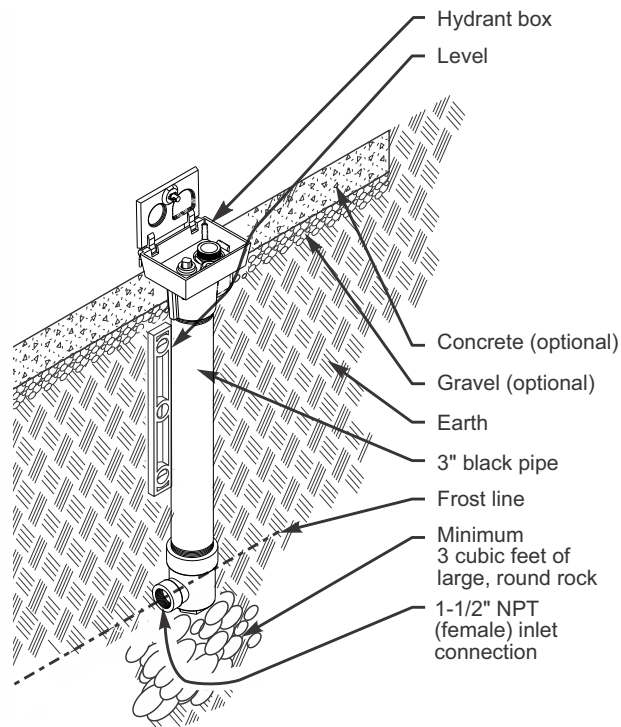
Prepare trench for water-supply line and waste line (if required). Below hydrant location, prepare hole to trench depth and large enough for a person to work. Lay water-supply line and waste line (if required) into trench. Run supply line to hydrant location, allowing extra line length to be trimmed during hookup. Flush supply line before installing hydrant.

Depending on code and design requirements, drain may be open, French or sanitary connection. Make certain that drain line is plumb. Wrap bottom drain opening with filter fabric and place a minimum of three cubic feet (0.085 cubic meter) of large round rock under drain opening. Check local codes. Local soil conditions may require more rock for drainage.

Position hydrant in hole. Adjust height of hydrant as necessary to ensure that top of hydrant will be flush with surrounding surface. Brace hydrant as necessary. Connect inlet supply line and drain line (if required).

Backfill trench and hole. Compact backfilled earth. Protect hydrant locking lid hinge as necessary from sod or pavement until installation is complete.

If concrete is specified, prepare area surrounding hydrant site for concrete slab. Spread and compact gravel as necessary. Pour concrete to grade level. Finish concrete as necessary, ensuring that top surface of slab is flat and level.



MAINTENANCE INSTRUCTIONS FOR HYDRANT M-6150

All normal maintenance is done from above grade. Washers should normally be replaced annually. Be certain to order "set of leathers" for 1-1/2" hydrant in advance of scheduled maintenance.

Before performing maintenance, shut off water supply. Unlock and open hydrant lid. Remove bolt and latch. Gently raise plate from inside hydrant box. Note that bottom of operating screw is connected to stirrup underneath plate. Work operating screw as necessary to disengage while easing plate out of hydrant box.

Grasp stirrup firmly and lift water supply column out of hydrant.

At bottom of water-supply column, remove packing ring from valve body. Remove ring washer and cup washer. Remove screw and seat washer. Replace seat washer, cup washer and ring washer. Replace packing ring.

Lower water-supply column into hydrant box. When stirrup reaches hydrant box, place plate over hose outlet. Ensure that operating screw is screwed into plate, and that bottom disk of screw is engaged in stirrup. Lower water-supply column until plate seats properly in hydrant box. Replace latch and bolt. Close and lock hydrant lid.

