

## Flush Box Hydrant

### MODEL M-575

3/4" FREEZE RESISTANT,  
FLUSH-MOUNTED BOX HYDRANT  
WITH LOCKING LID

#### STANDARD FEATURES

Model M-575 box hydrant provides water access that is inconspicuous and unobtrusive. The top of the unit is installed flush with the surrounding surface, and all working parts are located below grade. The hydrant may be installed in pavement, sod or concrete. The unit is furnished with a hinged, locking lid, which is opened for access to the hose outlet and closed when not in use. A loose key serves to lock and unlock the lid and to operate the hydrant. To provide freeze resistant functionality, the valve is located underground at the specified depth of bury. The hydrant box and lid are iron castings, and the bottom connection, valve and hose outlet are solid-brass castings. Field-serviceable parts are easily accessible.

#### SUGGESTED SPECIFICATIONS

Hydrant shall be Murdock-Super Secur model M-575 freeze resistant box hydrant.

Unit is to be installed with top of unit flush with surrounding surface and shall be furnished with hinged, locking lid.

Valve shall be located under ground at specified depth of bury to ensure freeze resistant capability.

Hydrant box and lid shall be fabricated of heavy-duty, grey iron castings. Box and lid shall be finished with a heavy coat of oil-base black enamel.

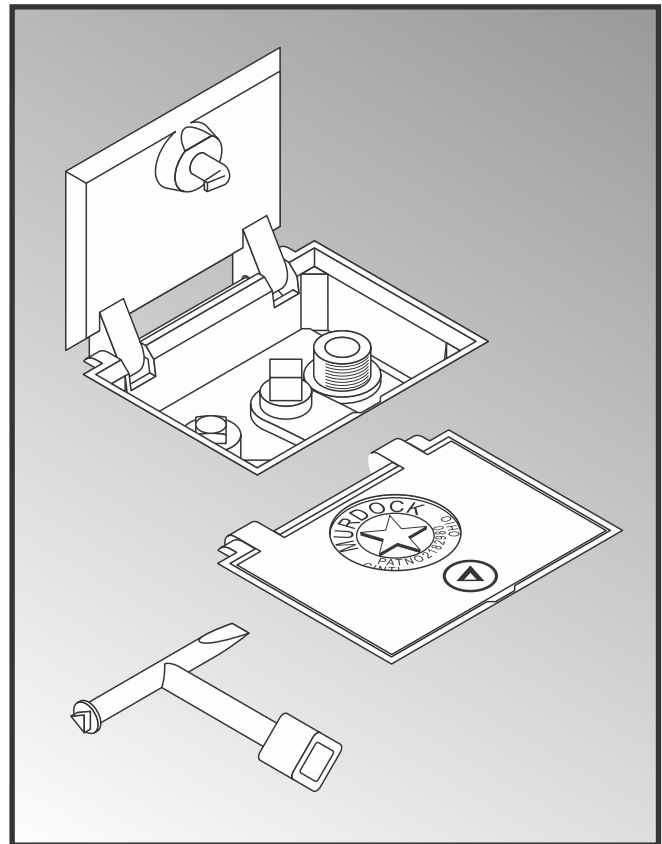
Valve, stirrup and hose outlet shall be fabricated of solid-brass castings. All solid-brass castings shall conform to ASTM standards B61 and B62. Lead-free castings are used in all waterways.

2" NPT Pipe Outer Casing and internal water supply line shall be fabricated of steel pipe.

Cast-aluminum key shall be furnished loose. Key shall be used to lock and unlock lid and to operate hydrant.

Unit shall be furnished with 3/4" union water supply connection.

Contractor shall ensure that hydrant is installed properly.



**Standard Model:** M-575

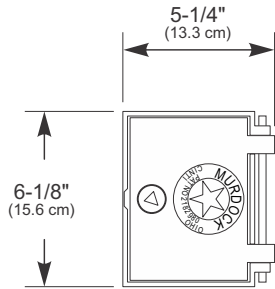
#### DEPTH OF BURY *(additional costs may be incurred)*

- |   |   |
|---|---|
| <input type="checkbox"/> 2 ft. (61 cm)    | <input type="checkbox"/> 5 ft. (152.4 cm) |
| <input type="checkbox"/> 3 ft. (91.4 cm)  | <input type="checkbox"/> 6 ft. (182.9 cm) |
| <input type="checkbox"/> 4 ft. (121.9 cm) |   |

#### OPTIONS *(additional costs may be incurred)*

NONE

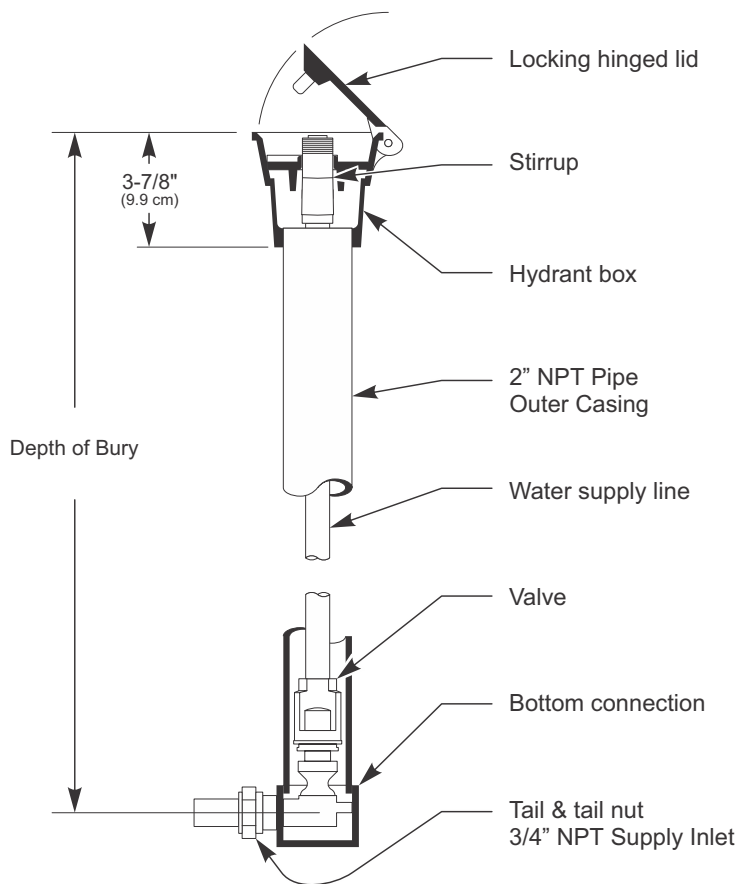
**WARNING:** Cancer and Reproductive Harm - [www.P65Warnings.ca.gov](http://www.P65Warnings.ca.gov)



# Flush Box Hydrant

## MODEL M-575

3/4" FREEZE RESISTANT, FLUSH-MOUNTED  
BOX HYDRANT WITH LOCKING LID



|   |  |                |
|---|--|----------------|
| <b>SELECTION SUMMARY &amp; APPROVAL FOR MANUFACTURING</b> | Model Number & Options _____                 | Quantity _____ |
|   | Company _____                                |                |
|   | Contact _____                                | Title _____    |
|   | Signature (Approval for Manufacturing) _____ | Date _____     |