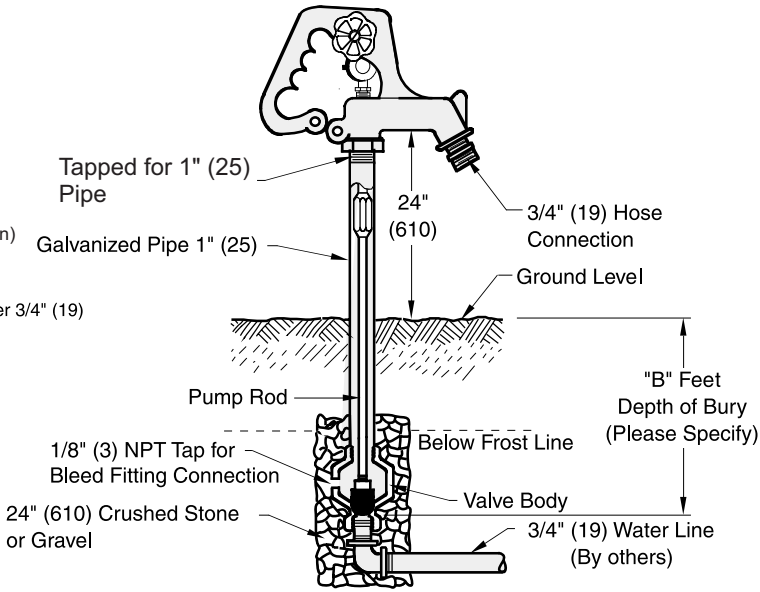
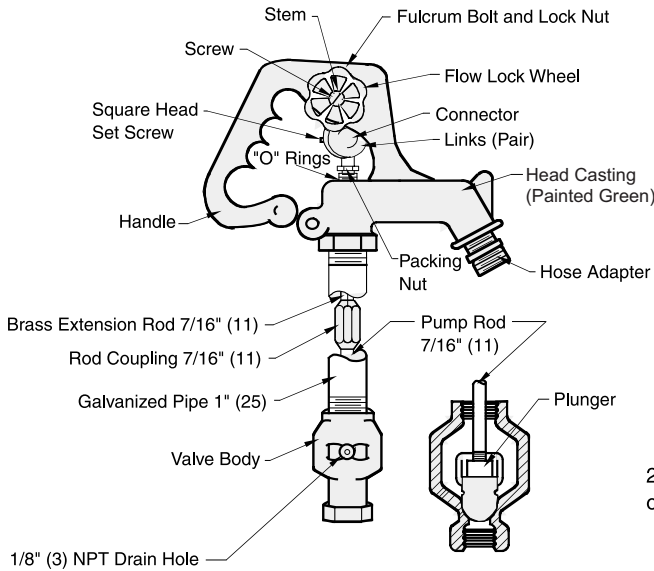




HYDRANTS

NON-FREEZE POST HYDRANT

FUNCTION: Used where an above ground water outlet is required in areas which are subject to freezing temperatures. Freezing is prevented by burying the valve housing below the frost line and draining water from the casing after shut-off.



B (Depth of Bury) = 02(610), 03(915), 04(1220), 05(1525) or 06(1830) Feet

NOTE:

- *1. Addition of vacuum breaker will not allow draining of the casing. Murdock Mfg. is not responsible for any casings that burst or related incidents if the hydrant is supplied with a vacuum breaker.
- 2. Public Law 111-380, and NSF/ANSI Standard 61-2008 - Drinking Water System Components are not applicable to Murdock Mfg. hydrants as they do not convey/dispense water for human consumption through drinking or cooking.
- 3. Dimensions shown in parentheses are in millimeters.
- 4. FOR IRRIGATION PURPOSES ONLY.

REGULARLY FURNISHED:
 Non-Freeze Post Hydrant with Galvanized Casing and Adjustable Flow Wheel Lock Handle.

VARIATIONS:

- Vacuum Breaker -H
- 1"(25) Hose Connection -HC1
- 1"(25) Female Inlet Connection -MF-1

WARNING: Cancer and Reproductive Harm - www.P65Warnings.ca.gov

Murdock Mfg.™ warrants that its products are free from defects in material or workmanship under normal use and service for a period of one year from date of shipment. Murdock's liability under this warranty shall be discharged solely by replacement or repair of defective material, provided Murdock™ is notified in writing within one year from date of shipment, F.O.B. Industry, California.

SELECTION SUMMARY & APPROVAL FOR MANUFACTURING	Model Number & Options _____	Quantity _____	All dimensions are subject to manufactures tolerance of plus or minus 1/2" nominal and subject to change without notice. Murdock assumes no responsibility for use of void or superseded data. Dimensions may change with the addition of optional accessories. Murdock Mfg.™, Member of Morris Group International™. Please visit www.murdockmfg.com for most current specifications.
	Company _____		
	Contact _____	Title _____	
	Signature (Approval for Manufacturing) _____	Date _____	

MURDOCK MFG. • 15125 Proctor Avenue • City of Industry, CA 91746 USA
 Phone 800-453-7465 or 626-333-2543 • Fax 626-855-4860 • www.murdockmfg.com

