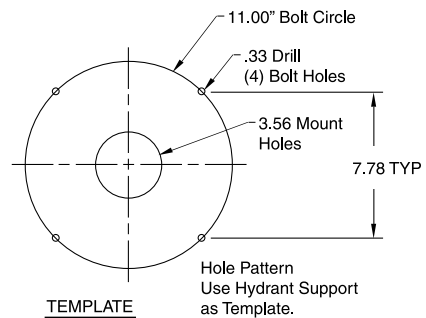
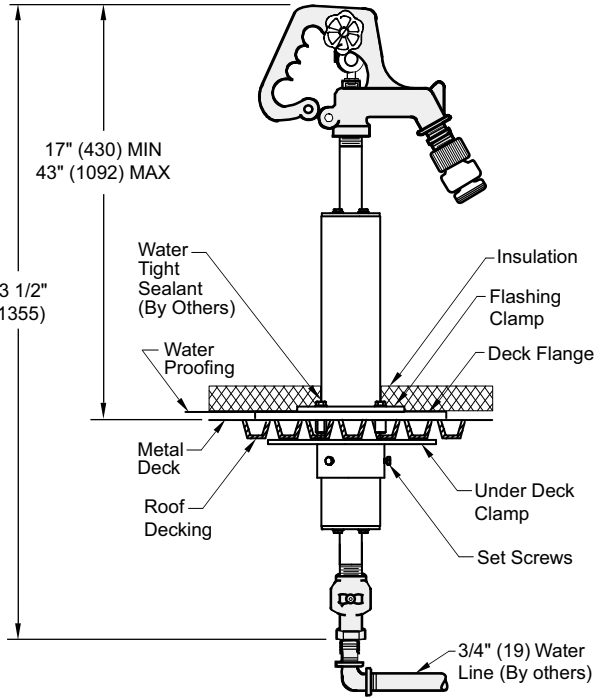
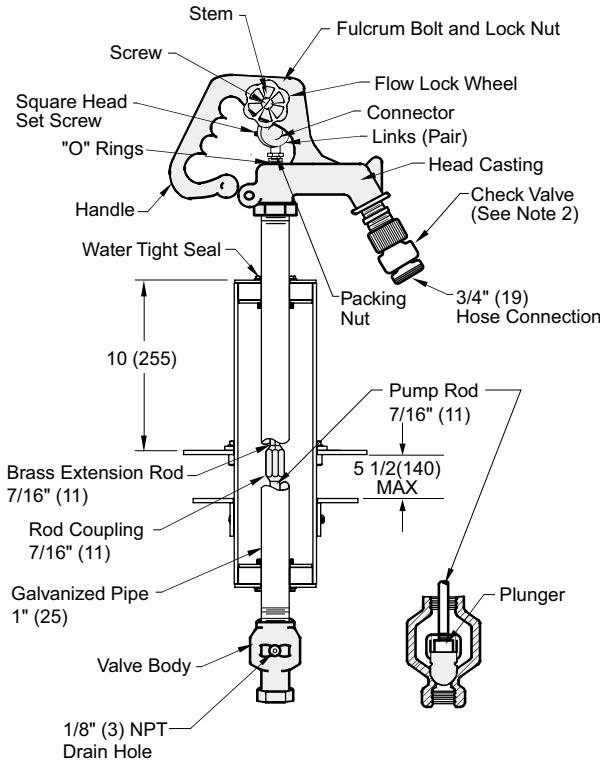




HYDRANTS

M-3907 NON-FREEZE ROOF HYDRANT

FUNCTION: Provides water availability for window washing, cleaning of condenser coils, cooling towers and other types of roof equipment. Valve body of hydrants are drilled and tapped with 1/8" drain hole which must be piped to a drain location. The check valve prevents backflow due to low head-pressure.



NOTE:

1. Drain Hole must be piped and discharged to an accessible discharge point. Failure to do so will result in potential water damage which Murdock is not responsible.
2. Hose must be removed to allow proper draining of the casing. Murdock is not responsible for any casing that burst or related incidents if the hose is not removed.
3. The AB1953, California Lead Law, and NSF/ANSI Standard 61-2008 - Drinking Water System Components are not applicable to these hydrants as they do not convey/dispense water for human consumption through drinking or cooking.
4. Dimensions shown in parentheses are in millimeters.
5. FOR IRRIGATION PURPOSES ONLY.

REGULARLY FURNISHED:

Non-Freeze Roof Hydrant with Check Valve, Galvanized Casing and Adjustable Flow Wheel Lock Handle with Deck Flange and Under Deck Clamp.

WARNING: Cancer and Reproductive Harm - www.P65Warnings.ca.gov

Murdock Mfg.™ warrants that its products are free from defects in material or workmanship under normal use and service for a period of one year from date of shipment. Murdock's liability under this warranty shall be discharged solely by replacement or repair of defective material, provided Murdock™ is notified in writing within one year from date of shipment, F.O.B. Industry, California.

SELECTION SUMMARY & APPROVAL FOR MANUFACTURING	Model Number & Options _____	Quantity _____	All dimensions are subject to manufactures tolerance of plus or minus 1/2" nominal and subject to change without notice. Murdock assumes no responsibility for use of void or superseded data. Dimensions may change with the addition of optional accessories. Murdock Mfg.™, Member of Morris Group International™. Please visit www.murdockmfg.com for most current specifications.
	Company _____		
	Contact _____	Title _____	
	Signature (Approval for Manufacturing) _____	Date _____	

MURDOCK MFG. • 15125 Proctor Avenue • City of Industry, CA 91746 USA
 Phone 800-453-7465 or 626-333-2543 • Fax 626-855-4860 • www.murdockmfg.com

Member of **MORRIS GROUP INTERNATIONAL**