



HYDRANTS

M-3903 NON-FREEZE SANITARY ROOF HYDRANT

FUNCTION: Used on roofs where water is required for window washing, cleaning of condenser coils, cooling towers and other types of roof equipment. Freezing is prevented by the valve housing being located below the roof in a heated or insulated area. The hydrant is engineered to be fully self contained by draining the water from the casing after shut-off into the sealed canister.

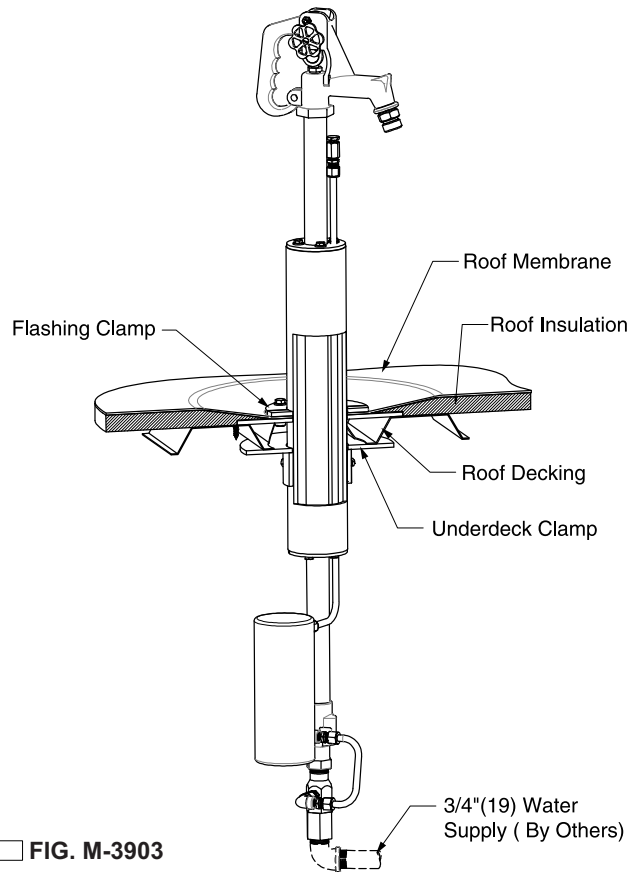
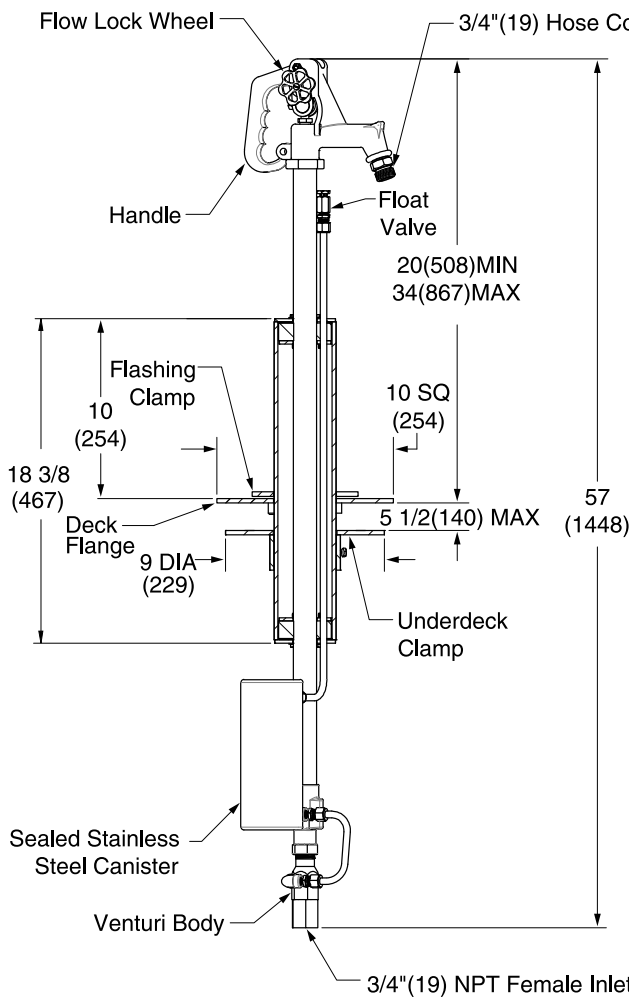


FIG. M-3903

Installation Illustration
(For Illustration Purpose Only)

REGULARLY FURNISHED:

Non-Freeze Sanitary (Self Contained) Roof Hydrant with Galvanized Casing, Adjustable Flow Wheel Lock Handle, Sealed Stainless Steel Canister, Venturi and Roof Mount Assembly.

VARIATIONS:

Vacuum Breaker -H

NOTES:

1. Addition of vacuum breaker will not allow draining of the hydrant casing. Murdock-Super Secur is not responsible for any casings that burst or related incidents if the hydrant is supplied with a vacuum breaker.
2. The California Lead Laws and NSF/ANSI Standards 61-2008 - Drinking Water System Components are not applicable to this hydrant as they are not intended to convey/dispense water for human consumption through drinking or cooking.
3. Do not leave hose attached in freezing temperatures as it may prevent drainage of the casing.
4. Dimensions shown in parentheses are in millimeters.
5. FOR IRRIGATION PURPOSES ONLY.

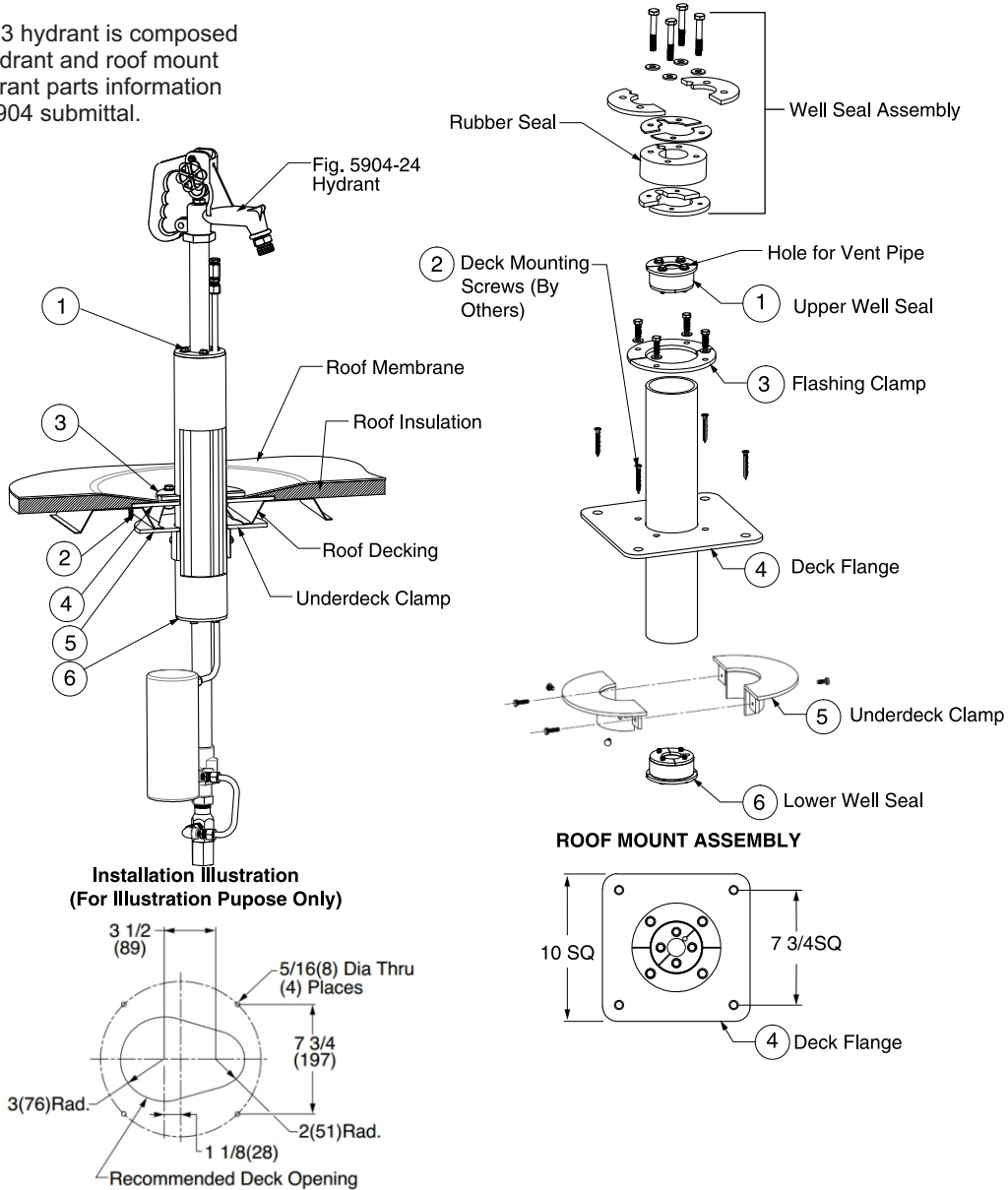
WARNING: Cancer and Reproductive Harm - www.P65Warnings.ca.gov



HYDRANTS

NON-FREEZE SANITARY ROOF HYDRANT

NOTE: Fig. M-3903 hydrant is composed of a M-3904-02 hydrant and roof mount assembly. For hydrant parts information reference the M-3904 submittal.



Murdock Mfg.™ warrants that its products are free from defects in material or workmanship under normal use and service for a period of one year from date of shipment. Murdock's liability under this warranty shall be discharged solely by replacement or repair of defective material, provided Murdock™ is notified in writing within one year from date of shipment, F.O.B. Industry, California.

SELECTION SUMMARY & APPROVAL FOR MANUFACTURING

Model Number & Options _____ Quantity _____

Company _____

Contact _____ Title _____

Signature (Approval for Manufacturing) _____ Date _____

All dimensions are subject to manufactures tolerance of plus or minus 1/2" nominal and subject to change without notice. Murdock assumes no responsibility for use of void or superseded data. Dimensions may change with the addition of optional accessories. Murdock Mfg.™, Member of Morris Group International™. Please visit www.murdockmfg.com for most current specifications.