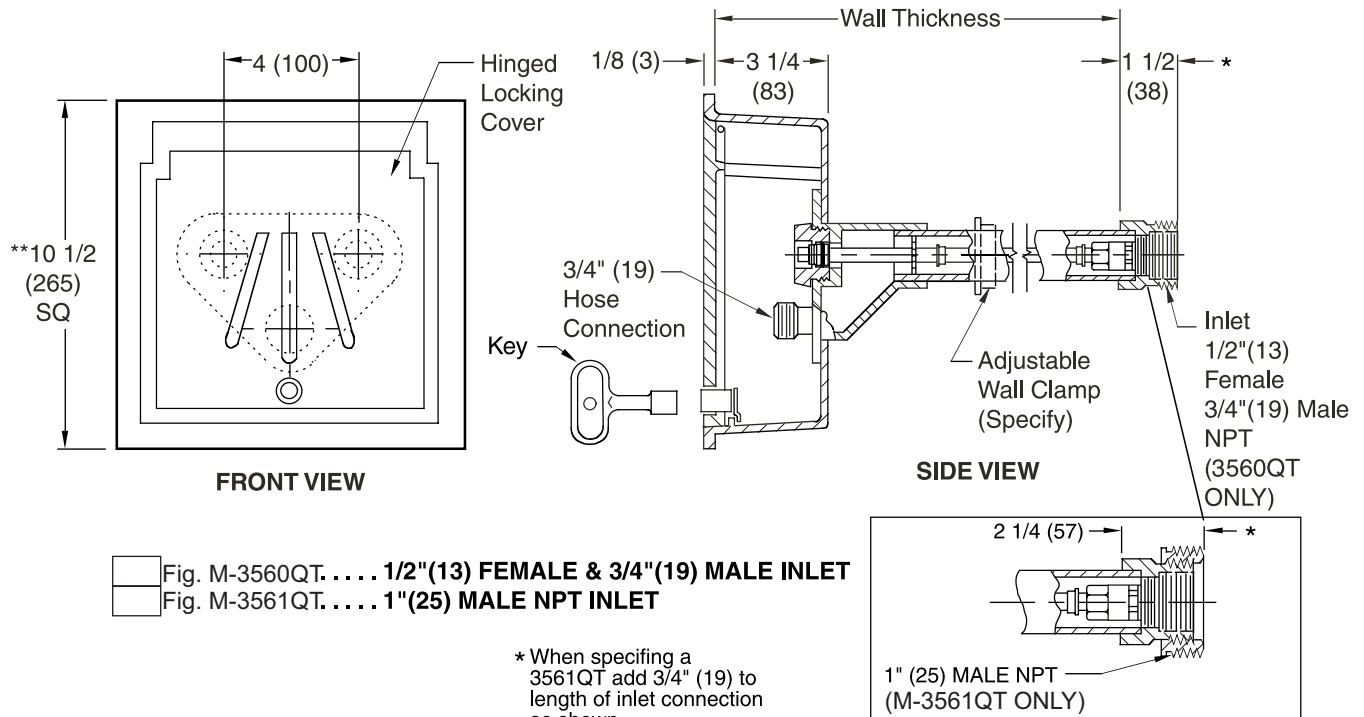




HYDRANTS

1/4 TURN QUARTERHORSE NON-FREEZE WALL HYDRANT BRONZE BOX TYPE "TWIN-TEMP" FOR HOT AND COLD WATER

FUNCTION: Provides positive non-freeze protection where water is required at the outside of the building. Ideal for use in food handling areas, dairies and other places where both hot and cold water are desired. The recessed box conceals the hose connection and operating mechanisms. 1/4 turn of the key allows full flow to be obtained. The locking cover prevents unauthorized use.



REGULARLY FURNISHED:

Bronze Nickel Plated Quarter Turn Non-Freeze "Twin-Temp" Hydrant with Hose Connection, "T" Handle Key, and Bronze Box with Chrome Plated Face, and Inlet Size Furnished as Indicated by Figure Number Selected.

VARIATIONS:

- Adjustable Wall Clamp -WC
- Cylinder Lock -CL
- 1" (25) Hose Connection -HC1
- 3/4" (19) Vacuum Breaker -H
- "Water" Cast On Cover -W
- Wheel Handel -WH

OPTIONAL MATERIALS:

- Nickel Bronze Box -NB
- Polished Bronze Hydrant -PB
- Rough Bronze Box -RB

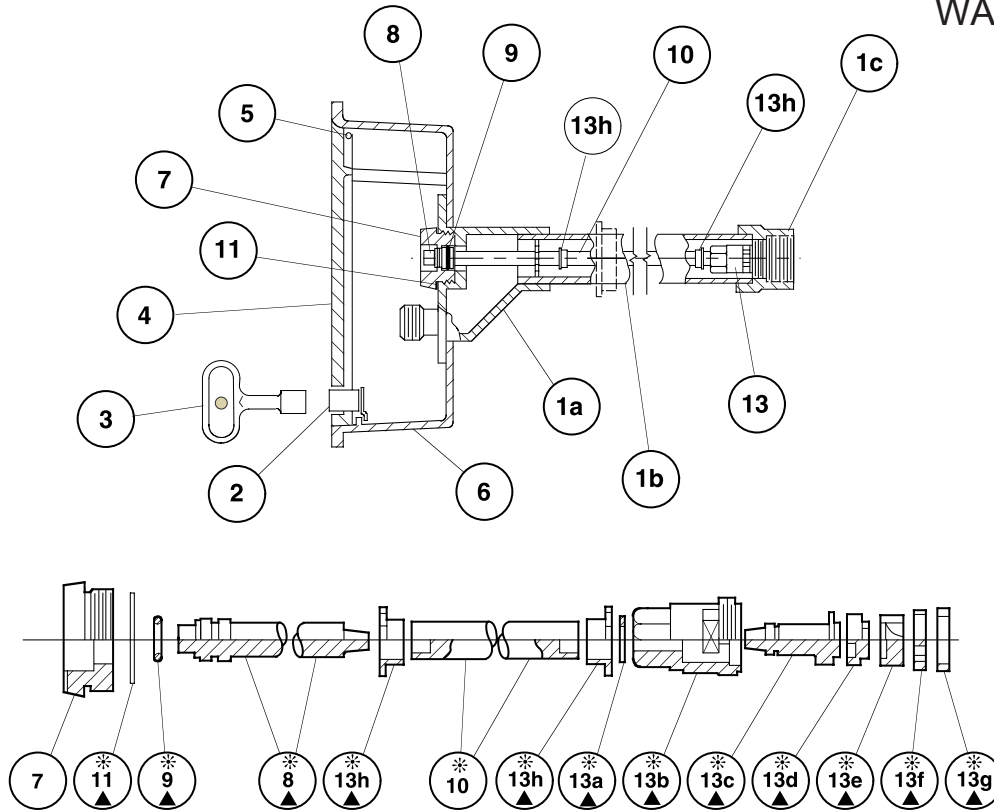
- NOTES:**
1. **Recommended Wall Opening 9 3/4"(250) x 9 3/4"(250).
 2. When ordering, specify wall thickness in 2"(51) increments as follows: 6(150), 8(205), 10(255), 12(305), 14(355), 16(405), 18(455), 20(510), 22(560) or 24(610). When wall clamp -WC is desired, increase wall thickness dimension by 2"(51).
 3. For 6"(150) wall use 3560QT-SAP or 3561QT-SAP.
 4. All hydrants are manufactured with "NO-LEAD" brazing rings and USDA approved lubricants.
 5. The AB1953, California Lead Law, and NSF/ANSI Standard 61-2008 - Drinking Water System Components are not applicable to hydrants as they do not convey/dispense water for human consumption through drinking or cooking.
 6. Dimensions shown in parentheses are in millimeters.
 7. FOR IRRIGATION PURPOSE ONLY.

WARNING: Cancer and Reproductive Harm - www.P65Warnings.ca.gov



HYDRANTS

Hydrant Part List QUARTERHORSE 1/4 TURN NON-FREEZE WALL HYDRANT



▲ These Replacement Parts Available in HPRK-7 (2) Repair Kits

* These Parts Accessible from Face of Hydrant by Removing Face Nut.

HYDRANT PARTS LIST					
NO.	DESCRIPTION	NO.	DESCRIPTION	NO.	DESCRIPTION
1	Head/Casing Assembly	6	Box	13b	Valve Body
1a	Head	7	Face Nut	13c	Valve Actuator
1b	Casing	8	Actuator Shaft	13d	Nylon Thrust Washer
1c	Valve Housing	9	Actuator "O" Ring	13e	Rotating Ceramic Disc
2	Locking Device	10	Operator Rod	13f	Fixed Ceramic Disc
3	Key	11	Face Nut Washer	13g	Silicon Rubber Seal
4	Cover	13	Valve Body Assembly	13h	Retainer Guide (2)
5	Hinge Pins (2)	13a	Retaining Ring		

Murdock Mfg.™ warrants that its products are free from defects in material or workmanship under normal use and service for a period of one year from date of shipment. Murdock's liability under this warranty shall be discharged solely by replacement or repair of defective material, provided Murdock™ is notified in writing within one year from date of shipment, F.O.B. Industry, California.

SELECTION SUMMARY & APPROVAL FOR MANUFACTURING	Model Number & Options _____	Quantity _____	All dimensions are subject to manufactures tolerance of plus or minus 1/2" nominal and subject to change without notice. Murdock assumes no responsibility for use of void or superseded data. Dimensions may change with the addition of optional accessories. Murdock Mfg.™, Member of Morris Group International™. Please visit www.murdockmfg.com for most current specifications.
	Company _____		
	Contact _____	Title _____	
	Signature (Approval for Manufacturing) _____	Date _____	

MURDOCK MFG. • 15125 Proctor Avenue • City of Industry, CA 91746 USA
Phone 800-453-7465 or 626-333-2543 • Fax 626-855-4860 • www.murdockmfg.com

Member of MORRIS GROUP INTERNATIONAL