

Select Series

MODEL M-23C DRINKING FOUNTAIN WITH BOWL ON PEDESTAL

STANDARD FEATURES

Model M-23C drinking fountain features design simplicity. This single fountain unit includes a pedestal mounted bowl and bubbler operated by pushbutton control. Standard model is seasonal, not freeze resistant. Heavy-duty construction ensures durability. Field-serviceable components are easily accessible. Solid brass castings for bowl and mouth guard are *Penny Vein* powder-coated and base is finished in *Chestnut Brown*.

SUGGESTED SPECIFICATIONS

Drinking fountain shall be Murdock model M-23C. Unit shall be furnished with one fountain bowl mounted on the pedestal.

Pedestal shall be heavy duty iron casting and base of pedestal shall have four mounting holes. Pedestal shall be finished with a heavy grade of oil-based brown enamel.

Bowl shall be a rectangular, powder-coated, solid brass casting. Drain opening in bowl shall be adequately protected from stoppage or vandalism by a chrome-plated solid brass casting. Pet Fountain options provide a cast aluminum bowl with matte finish.

Valve shall be self-closing, pushbutton operated, incorporating a replaceable cartridge and require less than 5 pounds of force to operate. Valve includes an adjustable stream regulator controlling the water flow.

Bubbler shall be a chrome plated solid brass casting with angle stream outlet near outer edge of bowl and above bowl rim. Mouth guard shall be a powder-coated solid brass casting to meet sanitary requirements.

All solid brass castings shall conform to ASTM standards B61 and B62. Unit is certified to Public Law 111-380 (NO-LEAD) and NSF/ANSI/CAN 61.



(Shown with optional chrome plated bowl & mouth guard)

Standard Model: M-23C

OPTIONS

(additional costs may be incurred)

- CH30 Added arm and bowl with bubbler at 30" child height ¹
- FRU1 Underground freeze-resistant valve for one bowl ¹
- FRU2 Underground freeze-resistant valve for two bowls
- HB1 Hose bibb with vacuum breaker ^{1 2}
- JF1 Jug filler with self-closing spigot valve ^{1 2}
- JF2 Jug filler with pushbutton valve ¹
- PF Pet fountain with pushbutton valve ¹
- PFS Pet fountain with self-closing spigot valve ^{1 2}
- Chrome plated cast brass drinking fountain bowl
- **Black** Pedestal color black
- **Green** Pedestal color green

Custom color finishes available upon request.

Options Notes:

¹ See separate option sheet.

² This option is not available freeze-resistant.

Complies with the following standards:



Federal Public Law 111-380 (No Lead)



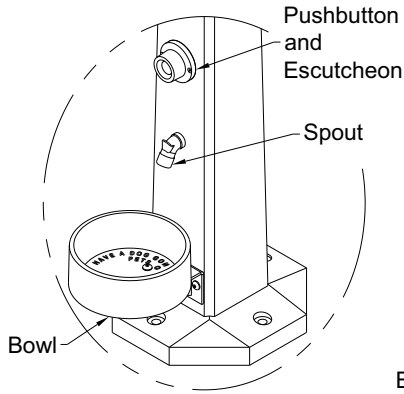
Recyclable Product



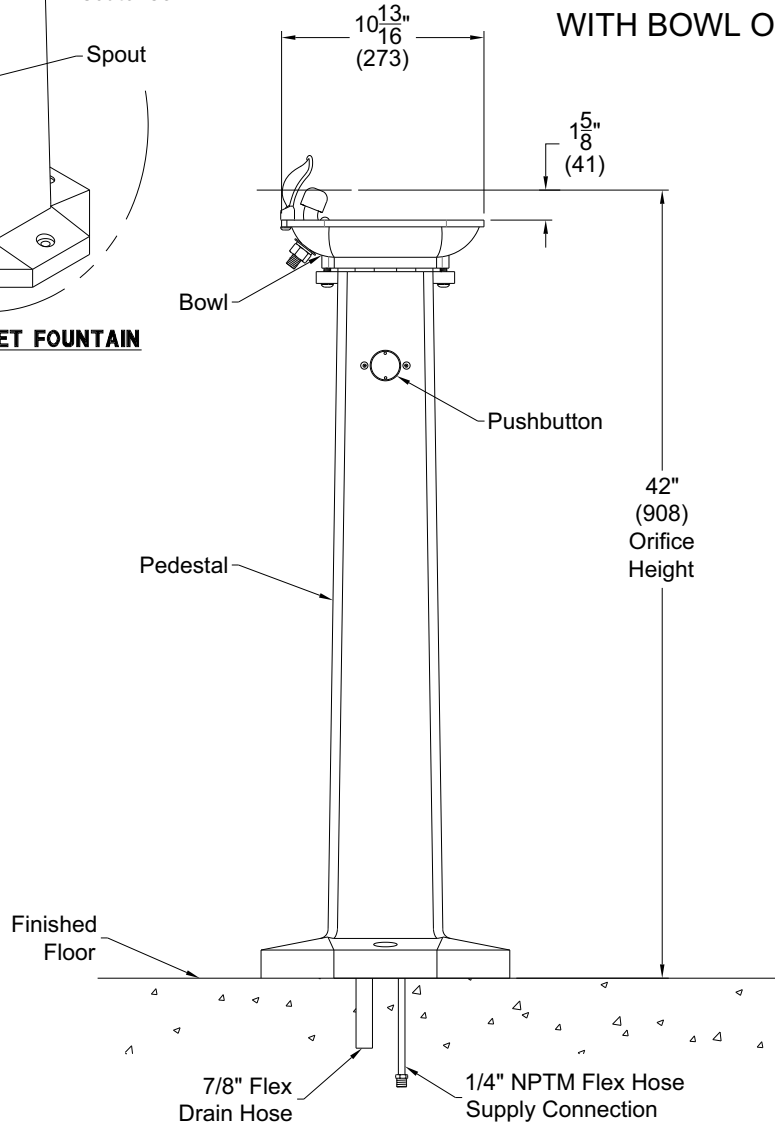
Water Conserving Product

WARNING: Cancer and Reproductive Harm - www.P65Warnings.ca.gov

Select Series
MODEL M-23C
DRINKING FOUNTAIN
WITH BOWL ON PEDESTAL



OPTIONAL -PF PET FOUNTAIN



* Valve specifications:
Minimum/Maximum Pressure
30 to 100 psi.

**SELECTION SUMMARY
& APPROVAL FOR
MANUFACTURING**

Model Number & Options _____ Quantity _____

Company _____

Contact _____ Title _____

Signature _____ Date _____
(Approval for Manufacturing)

All dimensions are subject to manufactures tolerance of plus or minus 1/4" nominal and subject to change without notice. Murdock[®] assumes no responsibility for use of void or superseded data. Dimensions may change with the addition of optional accessories. Murdock[®] Mfg., Member of Morris Group International[®]. Please visit www.murdockmfg.com for most current specifications.