



# HYDRANTS

## Post Hydrant

### MODEL M-2000

3/4" FREEZE RESISTANT, SELF-CLOSING  
PEDAL OPERATED POST HYDRANT

#### STANDARD FEATURES

Model M-2000 delivers year-round service outside or in unheated buildings. To provide freeze resistant functionality, the control valve is located below the frost line. Stepping on the pedal raises the internal supply-line assembly to open, and the self-closing spring lowering the internal supply-line assembly to close. Constructed of heavy lead-free brass, premium-quality gray iron and steel, the M-2000 is designed for trouble-free reliability and easy maintenance.

#### SUGGESTED SPECIFICATIONS

Hydrant shall be Murdock-Super Secur model M-2000. Unit shall be capable of year-round use in freezing weather.

Unit shall extend below grade level so that centerline of supply inlet is positioned at or below frost line. Inlet shall have 3/4" NPT male connection.

Water shall be gravity-evacuated from inner supply column when valve is shut off.

Valve shall be pedal operated. Pedal shall be fabricated of one-piece iron casting finished with a heavy grade of oil-based green enamel. Stock, top, and base shall be fabricated of heavy, one-piece iron castings finished with a heavy grade of oil-based green enamel.

Inner supply assembly shall incorporate solid-brass castings. All solid brass castings shall conform to ASTM standards B61 and B62. Lead-free castings are used in all waterways.

Outer casing shall be black iron pipe, finished with a heavy grade of oil-based green enamel.

Hydrant shall consist of internal supply line and a surrounding outer casing pipe for protection of waterway.

Nozzle shall be solid brass casting, threaded for 3/4" NPS hose connection.



Standard Model: M-2000

#### DEPTH OF BURY *(additional costs may be incurred)*

- |   |   |
|---|---|
| <input type="checkbox"/> 2 ft. (61 cm)    | <input type="checkbox"/> 5 ft. (152.4 cm) |
| <input type="checkbox"/> 3 ft. (91.4 cm)  | <input type="checkbox"/> 6 ft. (182.9 cm) |
| <input type="checkbox"/> 4 ft. (121.9 cm) | <input type="checkbox"/> Other _____      |

#### OPTIONS *(additional costs may be incurred)*

- |                               |   |
|-------------------------------|---|
| <input type="checkbox"/> -BFH | Double ball check valve and vacuum breaker* |
| <input type="checkbox"/> -VB  | Vacuum breaker                              |
| <input type="checkbox"/> -R01 | Shut off valve with plate*                  |
| <input type="checkbox"/>      | Plain end spout                             |
| <input type="checkbox"/>      | Sewer drain connection                      |

\* See separate option sheets



**WARNING:** Cancer and Reproductive Harm - [www.P65Warnings.ca.gov](http://www.P65Warnings.ca.gov)

MURDOCK MFG. • 15125 Proctor Avenue • City of Industry, CA 91746 USA  
Phone 800-453-7465 or 626-333-2543 • Fax 626-855-4860 • [www.murdockmfg.com](http://www.murdockmfg.com)

Member of  
MORRIS GROUP  
INTERNATIONAL

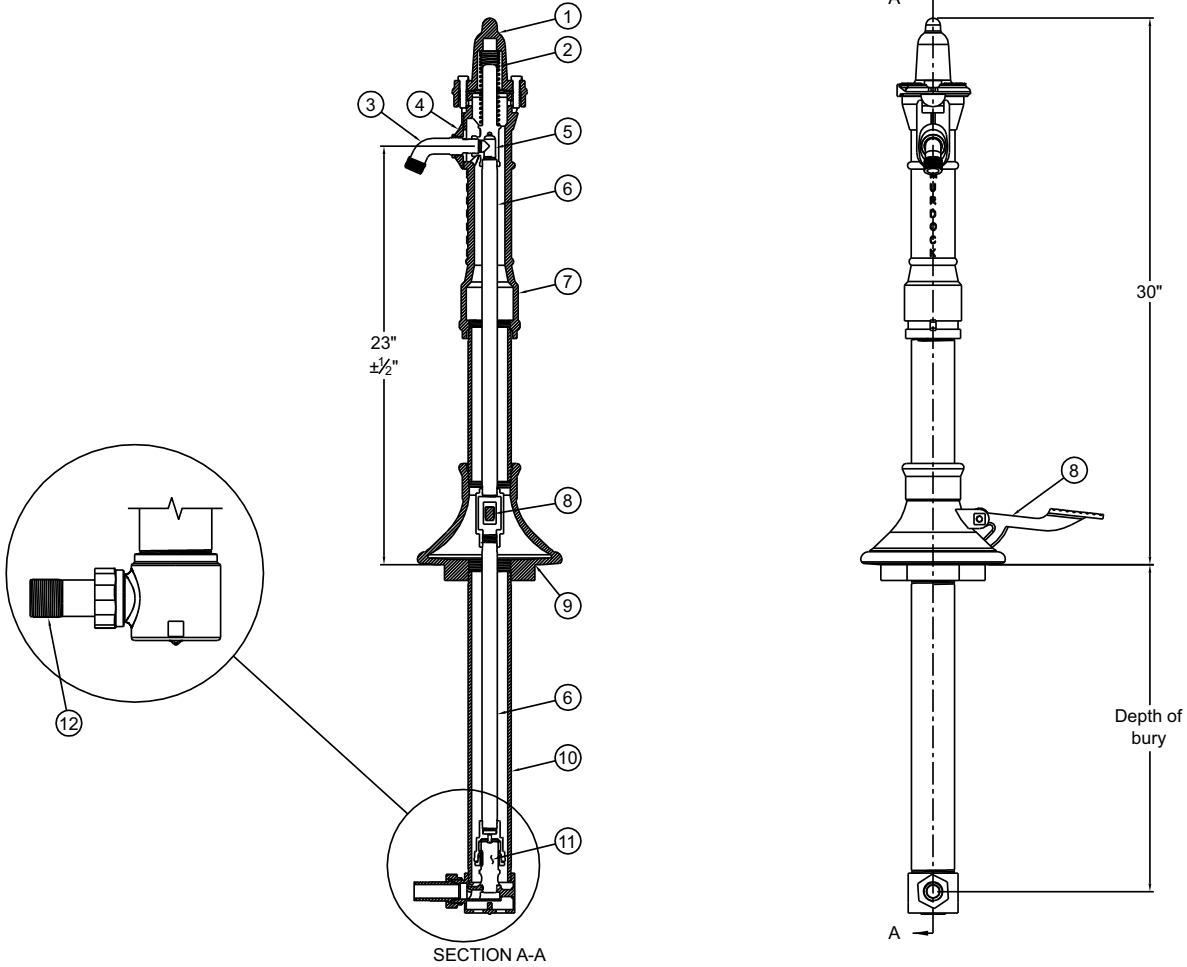


# H Y D R A N T S

## Post Hydrant

### MODEL M-2000

3/4" FREEZE RESISTANT, SELF-CLOSING  
PEDAL OPERATED POST HYDRANT



- ① Top
- ② Spring
- ③ 3/4" Hose thread brass nozzle
- ④ Slide
- ⑤ Tee
- ⑥ Inner supply pipe
- ⑦ Stock
- ⑧ Pedal
- ⑨ Base
- ⑩ Outer casing
- ⑪ Valve
- ⑫ 3/4" male NPT brass connection

Murdock Mfg.™ warrants that its products are free from defects in material or workmanship under normal use and service for a period of one year from date of shipment. Murdock's liability under this warranty shall be discharged solely by replacement or repair of defective material, provided Murdock™ is notified in writing within one year from date of shipment, F.O.B. Industry, California.

SELECTION SUMMARY & APPROVAL FOR MANUFACTURING	Model Number & Options _____	Quantity _____
	Company _____	
	Contact _____ Title _____	
	Signature (Approval for Manufacturing) _____	
	Date _____	

MURDOCK MFG. • 15125 Proctor Avenue • City of Industry, CA 91746 USA  
Phone 800-453-7465 or 626-333-2543 • Fax 626-855-4860 • www.murdockmfg.com

