



HYDRANTS

Post Hydrant

MODEL M-1100

1" FREEZE RESISTANT,
COMPRESSION-TYPE POST HYDRANT

STANDARD FEATURES

Model M-1100 delivers year-round service outside or in unheated buildings. To provide freeze resistant functionality, the control valve is located below the frost line. The spring-loaded handle raises and lowers the internal supply line assembly, controlling the valve. The internal supply column is evacuated through drainage ports in the bottom. The hydrant must be operated fully "on."

SUGGESTED SPECIFICATIONS

Hydrant shall be Murdock-Super Secur model M-1100. Unit shall be capable of year-round use in freezing weather.

Unit shall extend below grade level so that centerline of supply inlet is positioned at or below frost line. Inlet shall have union water connection.

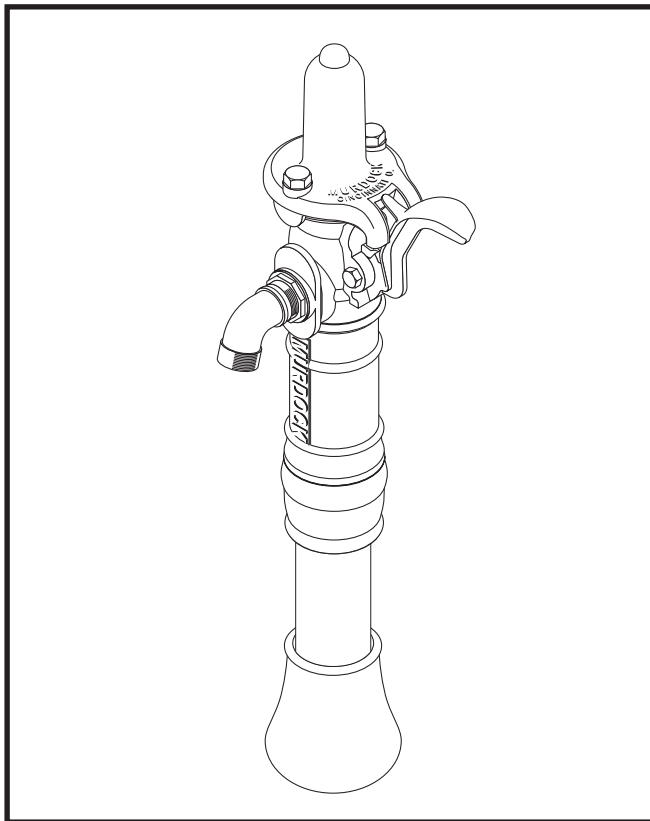
Water shall be gravity-evacuated from inner supply column when valve is shut off.

Valve shall be operated by lever handle spring-loaded for closure. Stock, top and base shall be fabricated of heavy, one-piece iron castings finished with a heavy grade of oil-based green enamel. Handle shall be an aluminum-bronze casting.

Inner supply assembly shall incorporate solid-brass castings. All solid-brass castings shall conform to ASTM standards B61 and B62. Lead-free castings are used in all waterways.

Outer casing and inner supply line shall be galvanized-steel pipe, finished with a heavy grade of oil-based green enamel.

Nozzle shall be solid brass casting, threaded for one-inch hose connection.



Standard Model: M-1100

DEPTH OF BURY *(additional costs may be incurred)*

- | | |
|---|---|
| <input type="checkbox"/> 2 ft. (61 cm) | <input type="checkbox"/> 5 ft. (152.4 cm) |
| <input type="checkbox"/> 3 ft. (91.4 cm) | <input type="checkbox"/> 6 ft. (182.9 cm) |
| <input type="checkbox"/> 4 ft. (121.9 cm) | <input type="checkbox"/> Other _____ |

OPTIONS *(additional costs may be incurred)*

- | | |
|-------------------------------|---|
| <input type="checkbox"/> -BFH | Double ball check valve and vacuum breaker* |
| <input type="checkbox"/> -R01 | Shut off valve with plate* |
| <input type="checkbox"/> -VB | Vacuum breaker |
| <input type="checkbox"/> | Plain end spout |
| <input type="checkbox"/> | Sewer drain connection |

* See separate option sheets

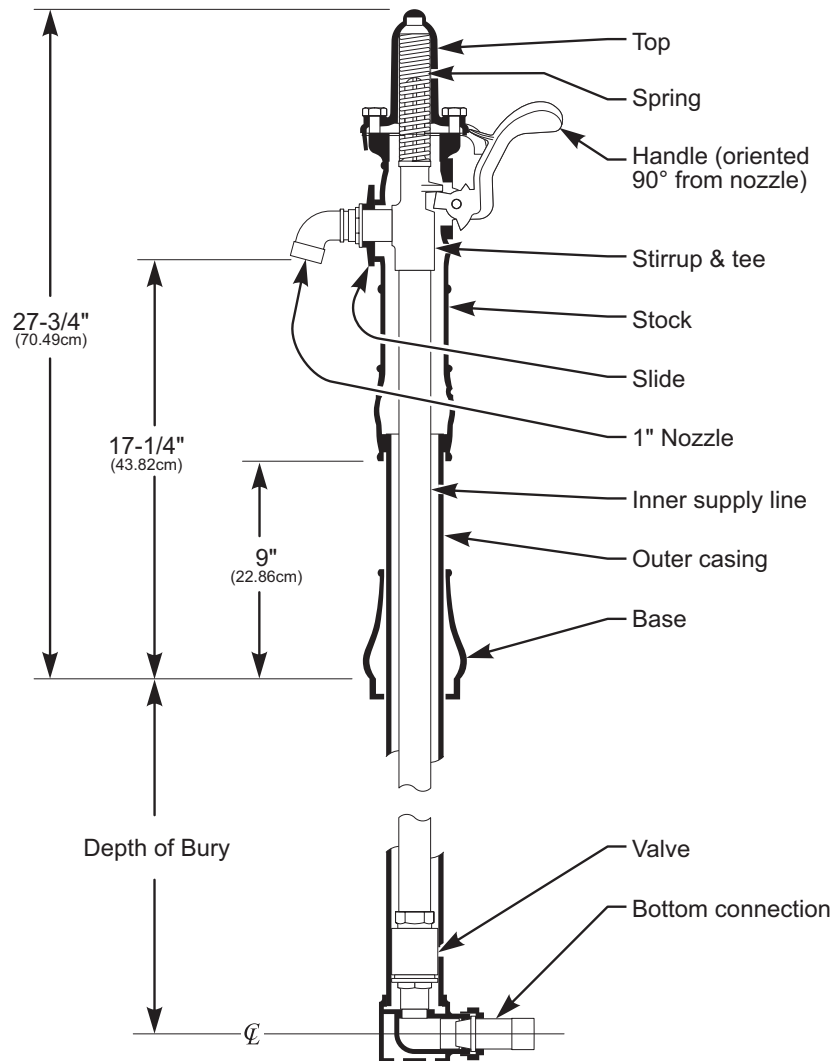
WARNING: Cancer and Reproductive Harm - www.P65Warnings.ca.gov



HYDRANTS

Post Hydrant MODEL M-1100

1" FREEZE RESISTANT,
COMPRESSION-TYPE POST HYDRANT



Murdock Mfg.™ warrants that its products are free from defects in material or workmanship under normal use and service for a period of one year from date of shipment. Murdock's liability under this warranty shall be discharged solely by replacement or repair of defective material, provided Murdock™ is notified in writing within one year from date of shipment, F.O.B. Industry, California.

SELECTION SUMMARY & APPROVAL FOR MANUFACTURING	Model Number & Options _____	Quantity _____
	Company _____	
	Contact _____	Title _____
	Signature (Approval for Manufacturing) _____	
	Date _____	

MURDOCK MFG. • 15125 Proctor Avenue • City of Industry, CA 91746 USA
Phone 800-453-7465 or 626-333-2543 • Fax 626-855-4860 • www.murdockmfg.com

Member of
MORRIS GROUP
INTERNATIONAL