

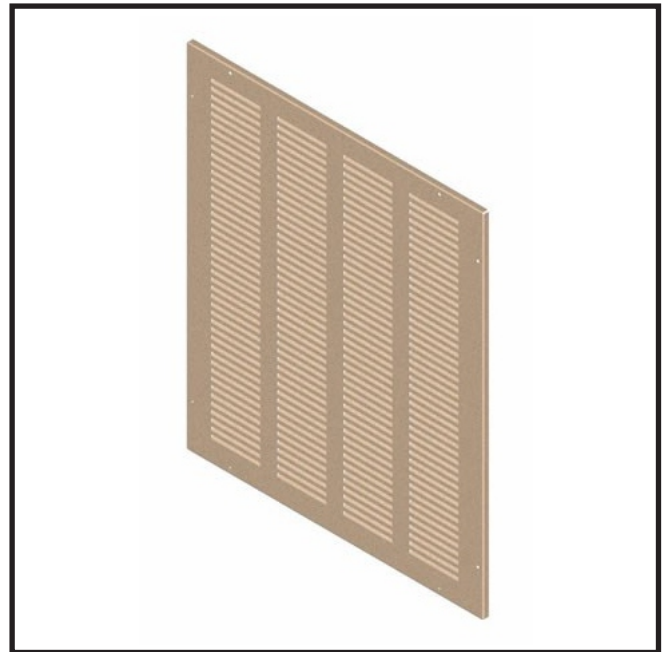


OPTIONS

OPTION -LG LOUVERED GRILLE

STANDARD FEATURES

- Provides ventilation for remote water chillers
- 20 gage steel



MODEL: *(Must Specify)*

- | | |
|--------------------------------------|---------------------------|
| <input type="checkbox"/> A0001000-LG | Granite Powder Coat |
| <input type="checkbox"/> A0002000-LG | Bronze Finish |
| <input type="checkbox"/> A0003000-LG | Gold Finish (High Polish) |

SUGGESTED SPECIFICATIONS

Model A0001000-LG is a louvered grille that provides ventilation to a remote water chiller. The grille is 32" (813 mm) high x 27" (686 mm) long x 1/2" (13 mm) wide and made from 20 gage steel with a granite powder coated finish.



Member of
U.S. Green
Building
Council



Recyclable
Product



Water
Conserving
Product

⚠ WARNING: Cancer and Reproductive Harm - www.P65Warnings.ca.gov

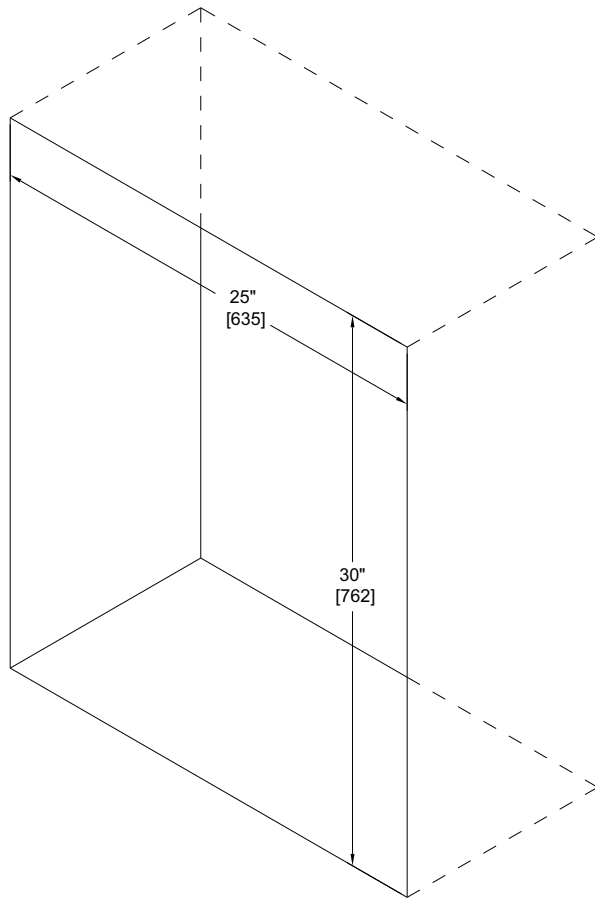
MURDOCK MFG. • 15125 Proctor Avenue • City of Industry, CA 91746 USA
Phone 800-453-7465 or 626-333-2543 • Fax 626-855-4860 • www.murdockmfg.com

Member of
MORRIS GROUP
INTERNATIONAL

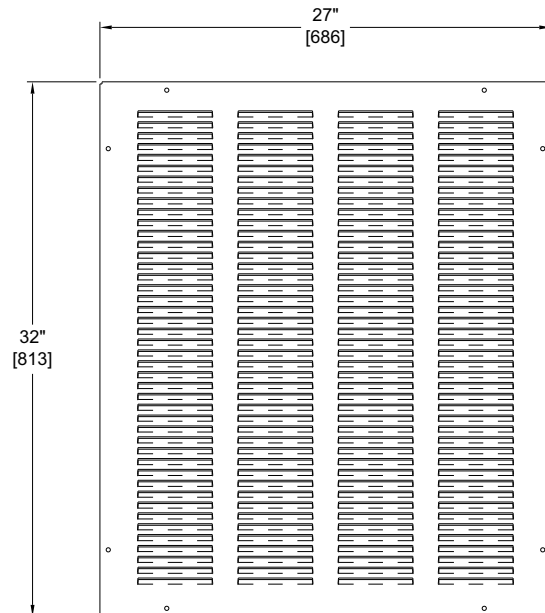


OPTIONS

OPTION -LG LOUVERED GRILLE



SUGGESTED WALL OPENING



FRONT VIEW

GENERAL NOTES:

1. ALL DIMENSIONS ARE IN INCHES [MM]
2. HOLD ROUGH-IN DIMENSIONS $\pm \frac{1}{8}$ [3]

Murdock Mfg.™ warrants that its products are free from defects in material or workmanship under normal use and service for a period of one year from date of shipment. Murdock's liability under this warranty shall be discharged solely by replacement or repair of defective material, provided Murdock™ is notified in writing within one year from date of shipment, F.O.B. Industry, California.

SELECTION SUMMARY & APPROVAL FOR MANUFACTURING	Model Number & Options _____	Quantity _____	All dimensions are subject to manufactures tolerance of plus or minus 1/2" nominal and subject to change without notice. Murdock assumes no responsibility for use of void or superseded data. Dimensions may change with the addition of optional accessories. Murdock Mfg.™, Member of Morris Group International™. Please visit www.murdockmfg.com for most current specifications.
	Company _____		
	Contact _____	Title _____	
	Signature (Approval for Manufacturing) _____	Date _____	

MURDOCK MFG. • 15125 Proctor Avenue • City of Industry, CA 91746 USA
Phone 800-453-7465 or 626-333-2543 • Fax 626-855-4860 • www.murdockmfg.com

Member of  MORRIS GROUP INTERNATIONAL