



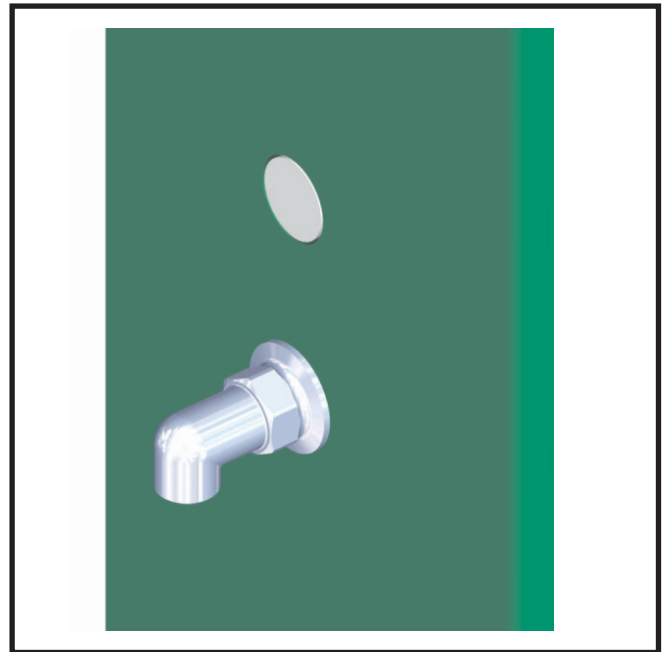
# OPTIONS

## OPTION -JFFR1

JUG FILLER

### STANDARD FEATURES

- Self-closing valve
- Pushbutton activation
- Plain end
- Polished chrome plated



### MODEL:

(Must Specify)

- A0000000-JFFR1 Freeze resistant, jug filler with a pushbutton operated self-closing valve

### SUGGESTED SPECIFICATIONS

Model Option -JFFR1 is a freeze resistant, plain end, chrome plated brass jug filler with a pushbutton operated self-closing valve. Unit is designed for use with outdoor steel and stone fountains and intended for use with FRU valve configurations. Unit shall adhere to NSF/ANSI 61, Section 9.

\*-JFR1 is intended for use with an FRU; for use with the NP system, see -JF2



Member of  
U.S. Green  
Building  
Council



Recyclable  
Product



Water  
Conserving  
Product

 WARNING: Cancer and Reproductive Harm - [www.P65Warnings.ca.gov](http://www.P65Warnings.ca.gov)

MURDOCK MFG. • 15125 Proctor Avenue • City of Industry, CA 91746 USA  
Phone 800-453-7465 or 626-333-2543 • Fax 626-855-4860 • [www.murdockmfg.com](http://www.murdockmfg.com)

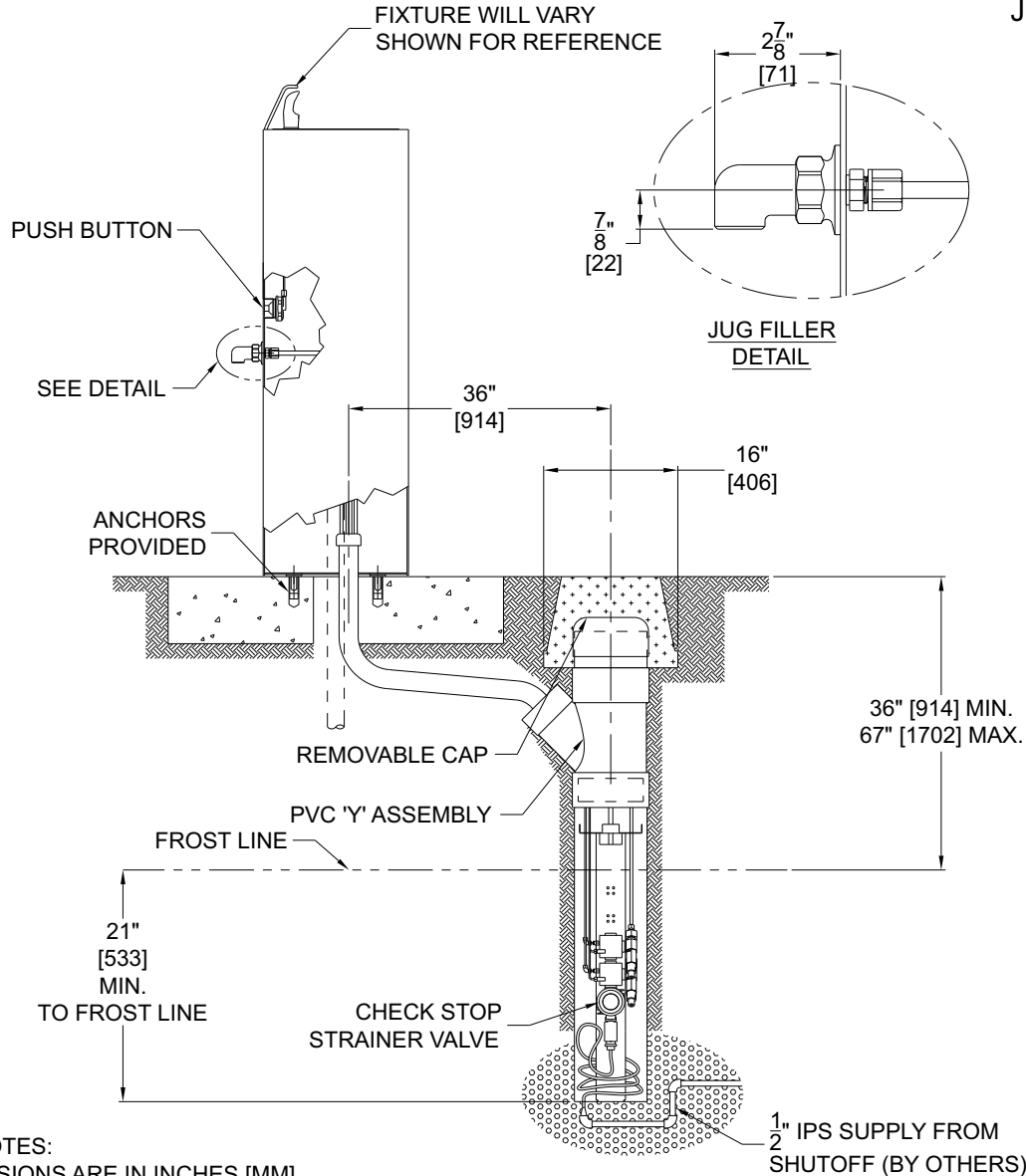
Member of  
MORRIS GROUP  
INTERNATIONAL



# OPTIONS

## OPTION -JFFR1

JUG FILLER



GENERAL NOTES:  
1. ALL DIMENSIONS ARE IN INCHES [MM].

Murdock Mfg.™ warrants that its products are free from defects in material or workmanship under normal use and service for a period of one year from date of shipment. Murdock's liability under this warranty shall be discharged solely by replacement or repair of defective material, provided Murdock™ is notified in writing within one year from date of shipment, F.O.B. Industry, California.

SELECTION SUMMARY & APPROVAL FOR MANUFACTURING	Model Number & Options _____	Quantity _____	All dimensions are subject to manufactures tolerance of plus or minus 1/2" nominal and subject to change without notice. Murdock assumes no responsibility for use of void or superseded data. Dimensions may change with the addition of optional accessories. Murdock Mfg.™, Member of Morris Group International™. Please visit <a href="http://www.murdockmfg.com">www.murdockmfg.com</a> for most current specifications.
	Company _____		
	Contact _____	Title _____	
	Signature (Approval for Manufacturing) _____	Date _____	