



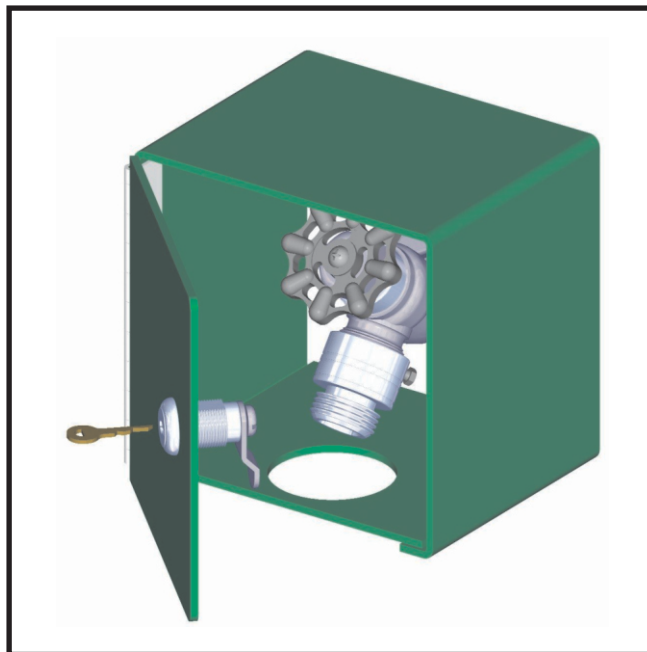
OPTIONS

OPTION -HB3

VANDAL RESISTANT HOSE BIBB FAUCET

STANDARD FEATURES

- *Rough chrome, hose bibb faucet*
- *Steel protective housing and lockable door*
- *Assembly provided with a vacuum breaker and 3/4" male hose threaded outlet*



MODEL:

(Must Specify)

- A0000000-HB3 Vandal resistant hose bibb faucet with a vacuum breaker

SUGGESTED SPECIFICATIONS

Model A0000000-HB3 is a vandal resistant hose bibb faucet with a vacuum breaker, 3/4" (19 mm) male hose threaded outlet, rough chrome finish and a steel protective housing with a lockable door. The bibb is designed for use with outdoor steel fountains and is not freeze-resistant. When installed on freeze resistant models, a separate water supply must be provided and bibb must be winterized during freezing conditions.



Member of
U.S. Green
Building
Council



Recyclable
Product



Water
Conserving
Product

 WARNING: Cancer and Reproductive Harm - www.P65Warnings.ca.gov

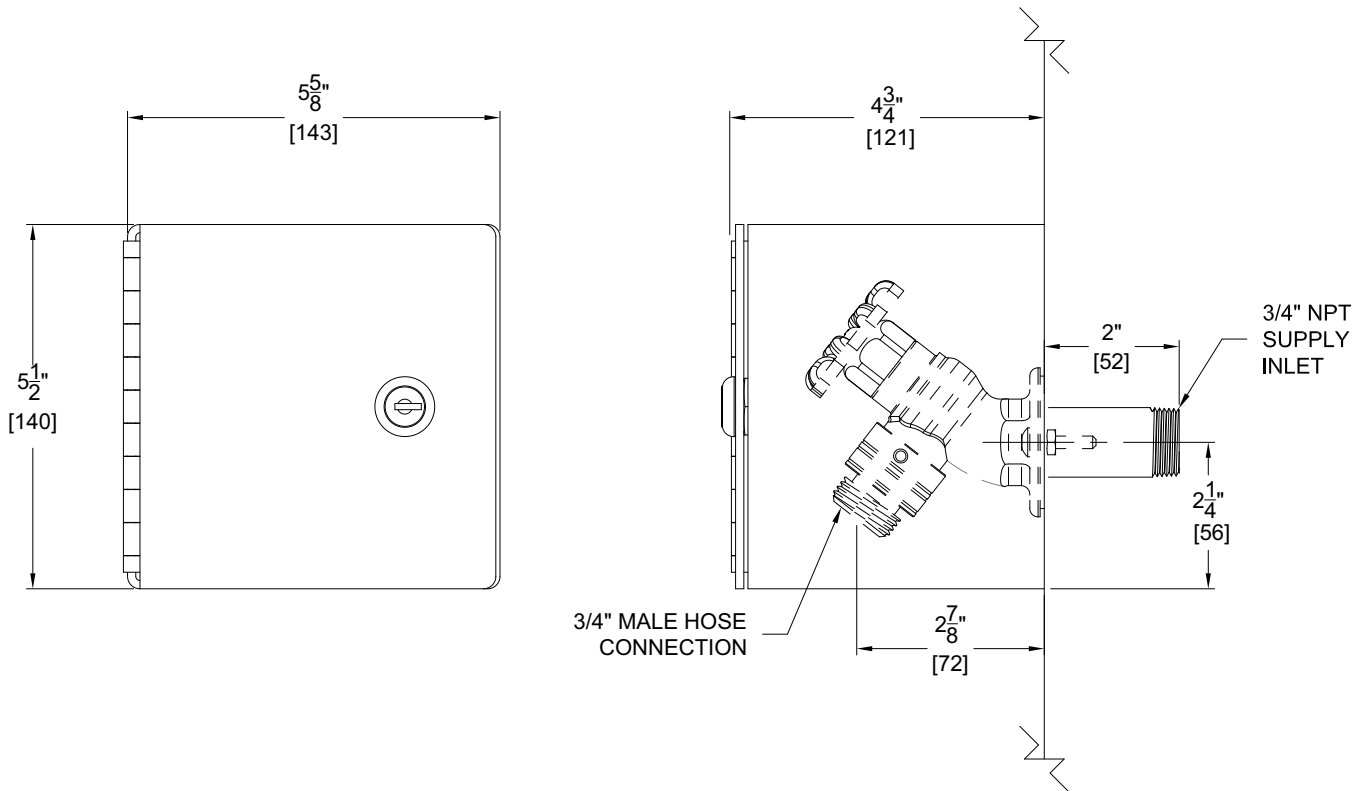
MURDOCK MFG. • 15125 Proctor Avenue • City of Industry, CA 91746 USA
Phone 800-453-7465 or 626-333-2543 • Fax 626-855-4860 • www.murdockmfg.com

Member of
MORRIS GROUP
INTERNATIONAL



OPTIONS

OPTION -HB3 VANDAL RESISTANT HOSE BIBB FAUCET



Murdock Mfg.™ warrants that its products are free from defects in material or workmanship under normal use and service for a period of one year from date of shipment. Murdock's liability under this warranty shall be discharged solely by replacement or repair of defective material, provided Murdock™ is notified in writing within one year from date of shipment, F.O.B. Industry, California.

SELECTION SUMMARY & APPROVAL FOR MANUFACTURING	Model Number & Options _____	Quantity _____	<p>All dimensions are subject to manufactures tolerance of plus or minus 1/2" nominal and subject to change without notice. Murdock assumes no responsibility for use of void or superseded data. Dimensions may change with the addition of optional accessories. Murdock Mfg.™, Member of Morris Group International™. Please visit www.murdockmfg.com for most current specifications.</p>
	Company _____		
	Contact _____	Title _____	
	Signature (Approval for Manufacturing) _____	Date _____	

MURDOCK MFG. • 15125 Proctor Avenue • City of Industry, CA 91746 USA
 Phone 800-453-7465 or 626-333-2543 • Fax 626-855-4860 • www.murdockmfg.com

Member of MORRIS GROUP INTERNATIONAL