

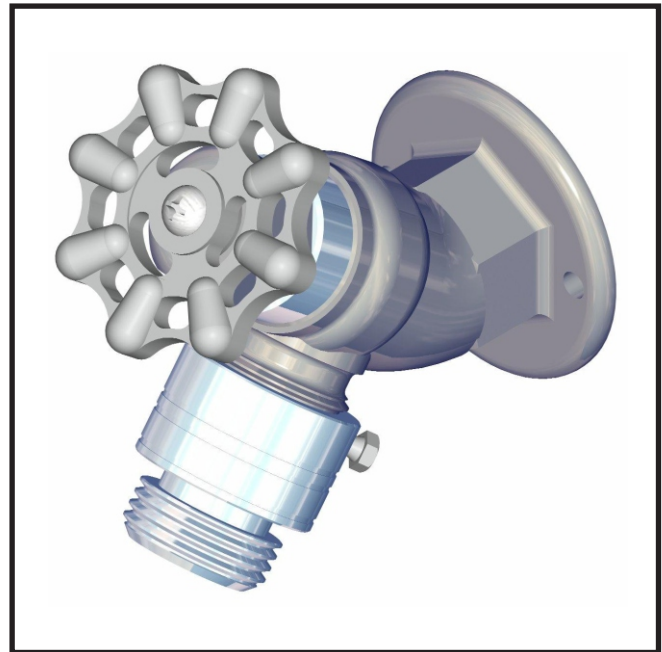


# OPTIONS

## OPTION -HB1 COMPRESSION HOSE BIBB FAUCET

### STANDARD FEATURES

- *Rough chrome, hose bibb faucet*
- *Wheel handle*
- *Assembly provided with a vacuum breaker and 3/4" male hose threaded outlet*



### MODEL:

*(Must Specify)*

- A0000000-HB1      Compression hose bibb faucet with a vacuum breaker

### SUGGESTED SPECIFICATIONS

Model A0000000-HB1 is a compression hose bibb faucet with a vacuum breaker, 3/4" (19 mm) male hose threaded outlet, wheel handle and rough chrome finish. Unit is designed for use with outdoor steel and stone fountains and is not freeze-resistant. When installed on freeze resistant models, a separate water supply must be provided and bibb must be winterized during freezing conditions. The -HB1 option is not plumbed with the fixture. A flexible supply connection is to be made in the field by the installer.



Member of  
U.S. Green  
Building  
Council



Recyclable  
Product



Water  
Conserving  
Product

**⚠ WARNING: Cancer and Reproductive Harm - [www.P65Warnings.ca.gov](http://www.P65Warnings.ca.gov)**

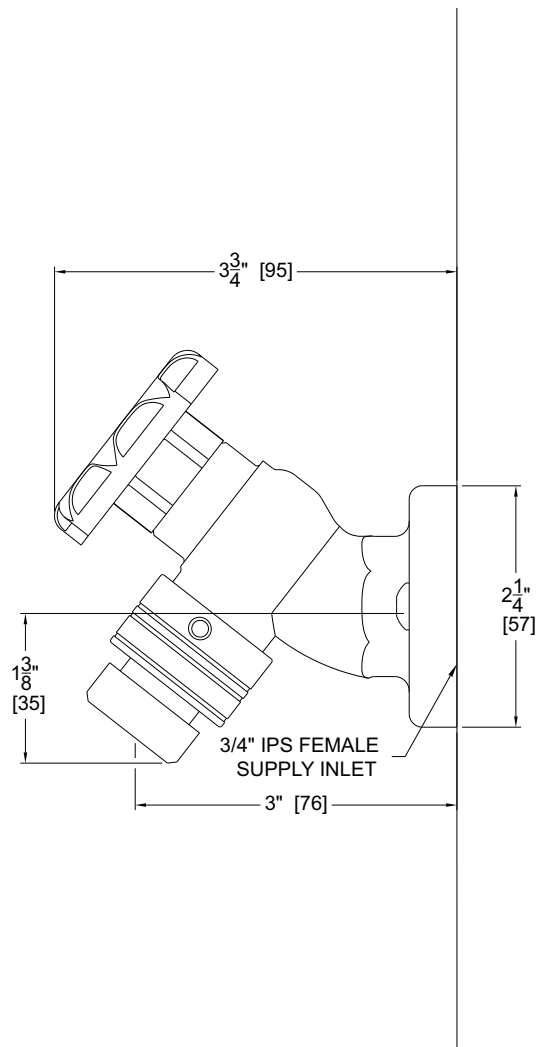
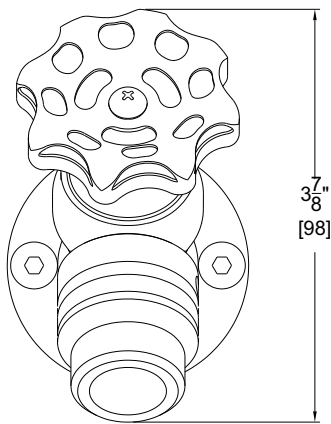
**MURDOCK MFG.** • 15125 Proctor Avenue • City of Industry, CA 91746 USA  
Phone 800-453-7465 or 626-333-2543 • Fax 626-855-4860 • [www.murdockmfg.com](http://www.murdockmfg.com)

Member of  
**MORRIS GROUP**  
INTERNATIONAL



# OPTIONS

## OPTION -HB1 COMPRESSION HOSE BIBB FAUCET



Murdock Mfg.™ warrants that its products are free from defects in material or workmanship under normal use and service for a period of one year from date of shipment. Murdock's liability under this warranty shall be discharged solely by replacement or repair of defective material, provided Murdock™ is notified in writing within one year from date of shipment, F.O.B. Industry, California.

<b>SELECTION SUMMARY &amp; APPROVAL FOR MANUFACTURING</b>	Model Number & Options _____	Quantity _____	<p><i>All dimensions are subject to manufactures tolerance of plus or minus 1/2" nominal and subject to change without notice. Murdock assumes no responsibility for use of void or superseded data. Dimensions may change with the addition of optional accessories. Murdock Mfg.™, Member of Morris Group International™. Please visit <a href="http://www.murdockmfg.com">www.murdockmfg.com</a> for most current specifications.</i></p>
	Company _____		
	Contact _____	Title _____	
	Signature (Approval for Manufacturing) _____	Date _____	

**MURDOCK MFG.** • 15125 Proctor Avenue • City of Industry, CA 91746 USA  
 Phone 800-453-7465 or 626-333-2543 • Fax 626-855-4860 • [www.murdockmfg.com](http://www.murdockmfg.com)

Member of   
 MORRIS GROUP INTERNATIONAL