



# CONTEMPORARY DRINKING FOUNTAINS

## GW Series

MODEL GWF55  
PEDESTAL MOUNTED  
DRINKING FOUNTAIN

### STANDARD FEATURES

- Resistant to sunlight, heat, moisture and wear
- 18 gage, 304 stainless steel bowl
- Heavy 1-1/4" IPS steel pipe, powder coated
- Polished stainless steel, anti-rotation non-squirt bubbler with valve and lever handle



GWF55 Shown

### SUGGESTED SPECIFICATIONS

Model GWF55 is a pedestal mounted, round drinking fountain made from 18 gage, 304 stainless steel. Basin shall be mounted onto a green powder coated heavy duty steel pipe pedestal. Unit shall be activated by a self-closing lever operated valve unless a pushbutton bubbler option is selected. Bubbler shall be polished stainless steel with a non-squirt feature and operate on a water pressure range of 20-105 psig. Unit is certified to ANSI A117.1, NSF/ANSI 61, Section 9, Public Law 111-380 (No-Lead) and CHSC 116875.

### MODEL: *(Must Specify)*

- LEAD-FREE STAINLESS STEEL w/ VALVE & LEVER HANDLE
- GWF55 Green powder-coated (Shown)
  - GWF56 Red powder-coated
  - GWF57 Blue powder-coated
- LEAD-FREE STAINLESS STEEL PUSHBUTTON BUBBLER
- GWF65 Green powder-coated
  - GWF66 Red powder-coated
  - GWF67 Blue powder-coated

*Custom color finishes available upon request*

### OPTIONS

*(additional costs may be incurred)*

- CH30 Child height, 30" Bubbler height

Complies with the following standards:



Member of U.S. Green Building Council



Recyclable Product



Water Conserving Product

**WARNING:** Cancer and Reproductive Harm - [www.P65Warnings.ca.gov](http://www.P65Warnings.ca.gov)

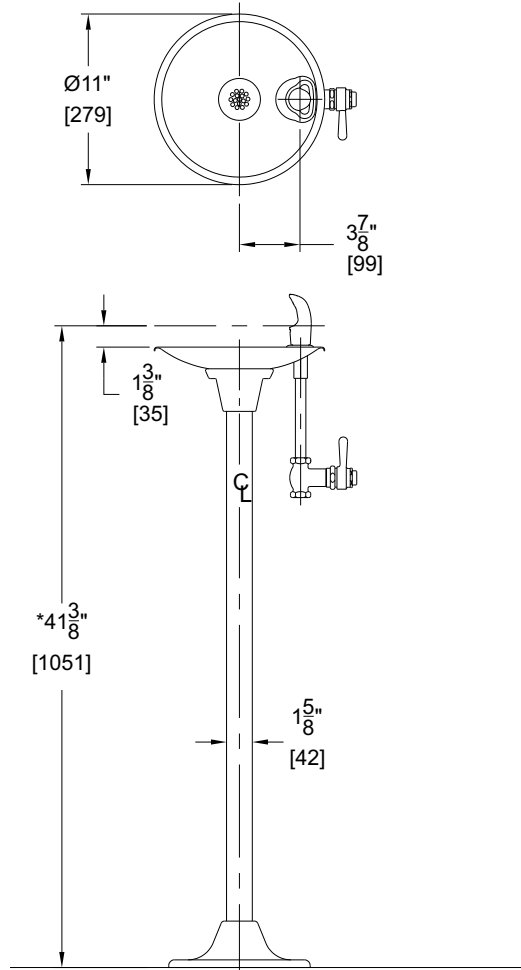
MURDOCK MFG. • 15125 Proctor Avenue • City of Industry, CA 91746 USA  
Phone 800-453-7465 or 626-333-2543 • Fax 626-855-4860 • [www.murdockmfg.com](http://www.murdockmfg.com)

Member of MORRIS GROUP INTERNATIONAL



# CONTEMPORARY DRINKING FOUNTAINS

## GW Series MODEL GWF55 PEDESTAL MOUNTED DRINKING FOUNTAIN



**GENERAL NOTES:**

1. ALL DIMENSIONS ARE IN INCHES [MM].
- \*2. STANDARD ADULT HEIGHT MODEL SHOWN. OPTIONAL -CH30 CHILD HEIGHT MODEL AVAILABLE.
3. STOP VALVE AND UNION NOT PROVIDED.

Murdock Mfg.™ warrants that its products are free from defects in material or workmanship under normal use and service for a period of one year from date of shipment. Murdock's liability under this warranty shall be discharged solely by replacement or repair of defective material, provided Murdock™ is notified in writing within one year from date of shipment, F.O.B. Industry, California.

<b>SELECTION SUMMARY &amp; APPROVAL FOR MANUFACTURING</b>	Model Number & Options _____	Quantity _____	<p><i>All dimensions are subject to manufactures tolerance of plus or minus 1/2" nominal and subject to change without notice. Murdock assumes no responsibility for use of void or superseded data. Dimensions may change with the addition of optional accessories. Murdock Mfg.™, Member of Morris Group International™. Please visit <a href="http://www.murdockmfg.com">www.murdockmfg.com</a> for most current specifications.</i></p>
	Company _____		
	Contact _____	Title _____	
	Signature (Approval for Manufacturing) _____	Date _____	

**MURDOCK MFG.** • 15125 Proctor Avenue • City of Industry, CA 91746 USA  
 Phone 800-453-7465 or 626-333-2543 • Fax 626-855-4860 • [www.murdockmfg.com](http://www.murdockmfg.com)

Member of  
**MORRIS GROUP INTERNATIONAL**