

## GR Series

### MODEL GRJ85

BARRIER FREE, PEDESTAL MOUNTED  
DRINKING FOUNTAIN

#### STANDARD FEATURES

- ADA Compliant  
(when properly installed)
- Resistant to sunlight, heat, moisture and wear
- 18 gage, 304 stainless steel bowl
- 12 gage, heavy duty stainless steel, corrosion and scratch resistant finish
- Polished stainless steel, anti-rotation non-squirt bubbler
- 100 mesh inlet strainer
- Access door, heavy duty stainless steel, vandal resistant
- Vandal resistant stainless steel bottom plate

#### SUGGESTED SPECIFICATIONS

Model GRJ85 is a barrier free, pedestal mounted, vandal resistant, round drinking fountain made from an 18 gage, 304 stainless steel bowl mounted into a green powder coated 12 gage, heavy duty stainless steel pedestal. Unit shall be activated by a front mounted self-closing button, by using less than 5 pounds of force, which activates an internally mounted valve with an adjustable stream regulator controlling the water flow. Bubbler shall be polished stainless steel with a non-squirt feature and operate on water pressure range of 20 - 105 psig. Fountain is certified to ANSI A117.1. Unit shall be certified to Public Law 111-380 (NO-LEAD) and NSF/ANSI/CAN 61. Fixture meets ADA, ADA Standing Person, and ADA Child requirements when mounted appropriately.

**Options Notes:**

<sup>1</sup> See separate option sheet.

<sup>2</sup> This option is not available freeze-resistant.



**Model GRJ85 Shown**

**MODEL:**

(Must Specify)

- GRJ84 Satin stainless finish
- GRJ85 Green powder-coated (Shown)
- GRJ86 Red powder-coated
- GRJ87 Blue powder-coated

Custom color finishes available upon request

**OPTIONS**

(additional costs may be incurred)

- CH30 Child height, 30" bubbler height
- FRU1 Freeze resistant, 1 valve <sup>1</sup>
- FRU2 Freeze resistant, 2 valves <sup>1</sup>
- FRU3 Freeze resistant, 3 valves <sup>1</sup>
- FS Foot spray
- HB1 Hose bibb, compression, with hose threaded outlet/VB <sup>1 2</sup>
- HB2 Hose bibb, loose key, with hose threaded outlet/VB <sup>1 2</sup>
- HB3 Hose bibb, loose key, vandal resistant, with hose threaded outlet/VB <sup>1 2</sup>
- IGM In-ground 14" mounting
- JF1 Jug filler, spigot, self-closing valve with plain end <sup>1 2</sup>
- JF2 Jug filler, pushbutton, self-closing valve with plain end <sup>1</sup>
- LSR Bowl with Leaf and Debris Strainer <sup>1</sup>
- NP1 Non-pollutable, freeze resistant, 1 valve
- NP2 Non-pollutable, freeze resistant, 2 valves
- NP3 Non-pollutable, freeze resistant, 3 valves
- PF Pet fountain receptor <sup>1</sup>.

Complies with the following standards:



Federal Public Law 111-380 (No Lead)



Recyclable Product



Water Conserving Product

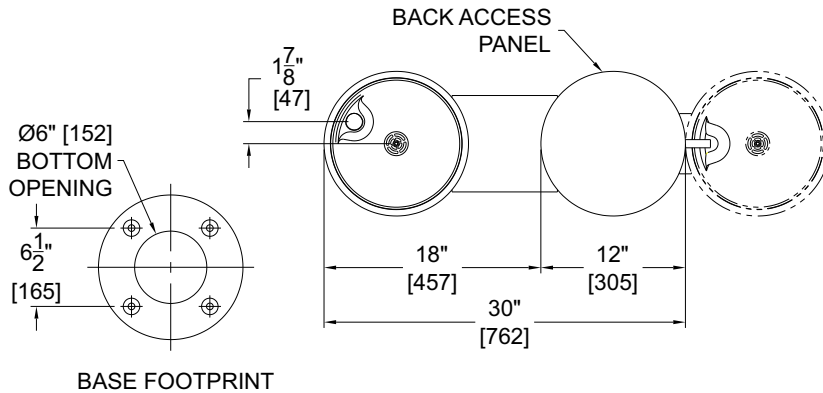
**Product Warranty**

**WARNING:** Cancer and Reproductive Harm - [www.P65Warnings.ca.gov](http://www.P65Warnings.ca.gov)

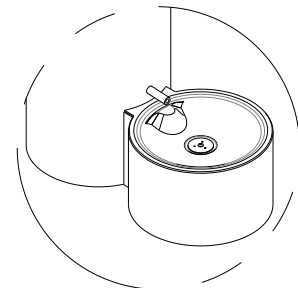
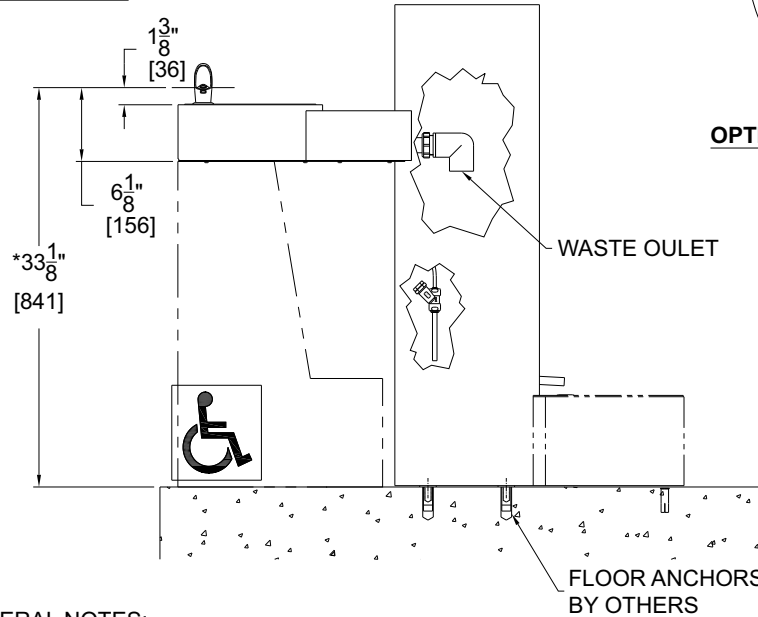
IMPORTANT: INSTALLATION AND SITE PREP FOR FREEZE RESISTANT OPTIONS "-FRU, -NP" WILL DIFFER FROM STANDARD. REFER TO DESIGNATED FREEZE RESISTANT INSTALLATION DETAILS.

**GR Series**

**MODEL GRJ85  
ACCESSIBLE DRINKING  
FOUNTAIN SINGLE HEIGHT**



BASE FOOTPRINT



OPTIONAL -PF PET FOUNTAIN  
DETAIL

\* Valve specifications:  
Minimum/Maximum Pressure  
30 to 100 psi.

**GENERAL NOTES:**

1. ALL DIMENSIONS ARE IN INCHES [MM].
- \*2. STANDARD ADA ADULT HEIGHT MODEL SHOWN. OPTIONAL -CH30 CHILD ADA HEIGHT MODEL AVAILABLE.
3. STOP VALVE NOT PROVIDED.

**SELECTION SUMMARY  
& APPROVAL FOR  
MANUFACTURING**

Model Number & Options _____	Quantity _____
Company _____	
Contact _____	Title _____
Signature (Approval for Manufacturing) _____	Date _____

*All dimensions are subject to manufactures tolerance of plus or minus 1/4" nominal and subject to change without notice. Murdock<sup>®</sup> assumes no responsibility for use of void or superseded data. Dimensions may change with the addition of optional accessories. Murdock<sup>®</sup> Mfg., Member of Morris Group International<sup>®</sup>. Please visit [www.murdockmfg.com](http://www.murdockmfg.com) for most current specifications.*