

GR Series

MODEL GRC75

BARRIER FREE, WALL MOUNTED
DRINKING FOUNTAIN

STANDARD FEATURES

- Both Child or Adult ADA Compliant (when properly installed)
- Resistant to sunlight, heat, moisture and wear
- 18 gage, 304 stainless steel bowl
- 12 gage, heavy duty stainless steel arm, corrosion and scratch resistant finish
- Polished stainless steel, anti-rotation non-squirt bubbler
- 100 mesh inlet strainer
- P-trap, 1-1/4" O.D.
- Vandal resistant bottom stainless steel plate and screws

SUGGESTED SPECIFICATIONS

Model GRC75 is a wall mounted, vandal resistant round drinking fountain made from an 18 gage, 304 stainless steel bowl mounted into a green powder coated 12 gage, heavy duty stainless steel support arm. Unit shall be activated by a front mounted self-closing button, by using less than 5 pounds of force, which activates an internally mounted valve with an adjustable stream regulator controlling the water flow. Bubbler shall be polished stainless steel with a non-squirt feature and operate on water pressure range of 20-105 psig. Unit complies with ANSI A117.1 and shall be certified to Public Law 111-380 (NO- LEAD) and NSF/ ANSI/CAN 61. Fixture meets ADA, ADA Standing Person, and ADA Child requirements when mounted appropriately.

INSTALLATION NOTES: Refer to installation detail to ensure fixture Mounting Channel is compatible with wall construction type.



MODEL:

(Must Specify)

- GRC74 Satin stainless finish
 - GRC75 Green powder-coated (Shown)
 - GRC76 Red powder-coated
 - GRC77 Blue powder-coated
- Custom color finishes available upon request

OPTIONS

(additional costs may be incurred)

- FRA1 Freeze resistant valve
- LSR Bowl with Leaf and Debris Strainer ¹

ACCESSORIES

(additional costs may be incurred)

- A0000000-MP1 Mounting Plate

NOTES:

1- Refer to Supplemental Submittal Sheet for details

Complies with the following standards:



Federal Public Law 111-380 (No Lead)



NSF/ANSI/CAN 61



Recyclable Product



Water Conserving Product

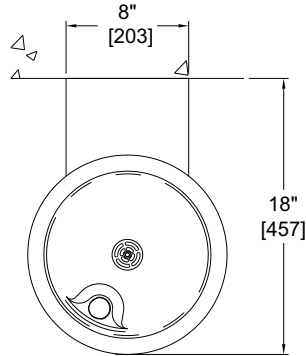
Product Warranty

WARNING: Cancer and Reproductive Harm - www.P65Warnings.ca.gov

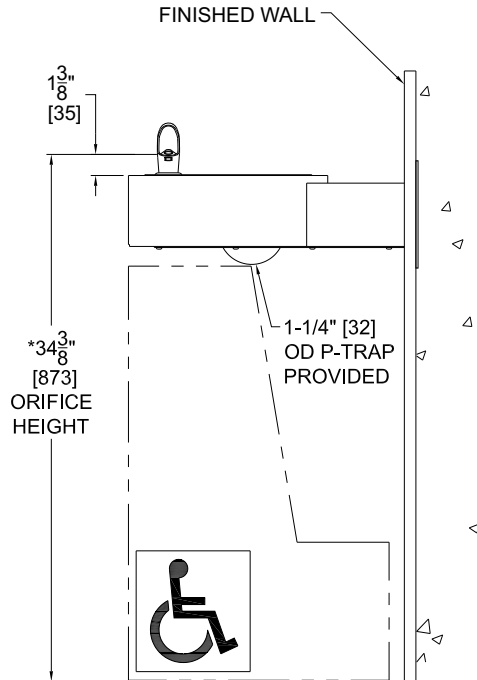
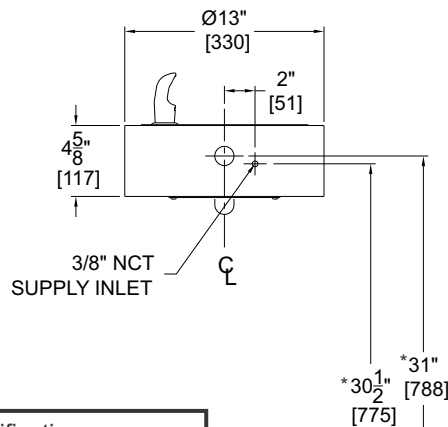
GR Series

MODEL GRC75

**BARRIER FREE, WALL MOUNTED
DRINKING FOUNTAIN**



IMPORTANT: INSTALLATION AND SITE PREP FOR -FRA FREEZE RESISTANT OPTIONS WILL DIFFER FROM STANDARD. REFER TO DESIGNATED FREEZE RESISTANT INSTALLATION DETAILS.



* Valve specifications:
Minimum/Maximum Pressure
30 to 100 psi.

GENERAL NOTES:

1. ALL DIMENSIONS ARE IN INCHES [MM].
- *2. DIMENSIONS SHOWN ARE FOR RECOMMENDED ADULT HEIGHT. ADJUST VERTICAL DIMENSIONS AS NECESSARY TO COMPLY WITH FEDERAL, STATE, & LOCAL CODES.
3. STOP VALVE NOT PROVIDED.
4. REFER TO INSTALLATION NOTES PAGE 1.

**SELECTION SUMMARY
& APPROVAL FOR
MANUFACTURING**

Model Number & Options _____	Quantity _____
Company _____	
Contact _____	Title _____
Signature (Approval for Manufacturing) _____	Date _____

All dimensions are subject to manufactures tolerance of plus or minus 1/4" nominal and subject to change without notice. Murdock[®] assumes no responsibility for use of void or superseded data. Dimensions may change with the addition of optional accessories. Murdock[®] Mfg., Member of Morris Group International[®]. Please visit www.murdockmfg.com for most current specifications.