



OPTIONS

OPTION -GF1 GLASS FILLER

STANDARD FEATURES

- Chrome plated brass base and gooseneck
- Self closing, lever operated valve
- 3/8" NPS female threaded inlet



MODEL: (Must Specify)

- A0000000-GF1 Glass Filler

SUGGESTED SPECIFICATIONS

Model A0000000-GF1 is self-closing, cold water glass filler that is designed for installation on the water coolers. The unit shall be polished chrome-plated brass with a lever handle, deck mounted and have a 3/8" (10 mm) NPS female threaded inlet. The gooseneck outlet will be 8-1/8" (206 mm) high, with a centerline of 1-3/4" (44 mm). Unit shall adhere to NSF/ANSI 61, Section 9.



Member of
U.S. Green
Building
Council



Recyclable
Product



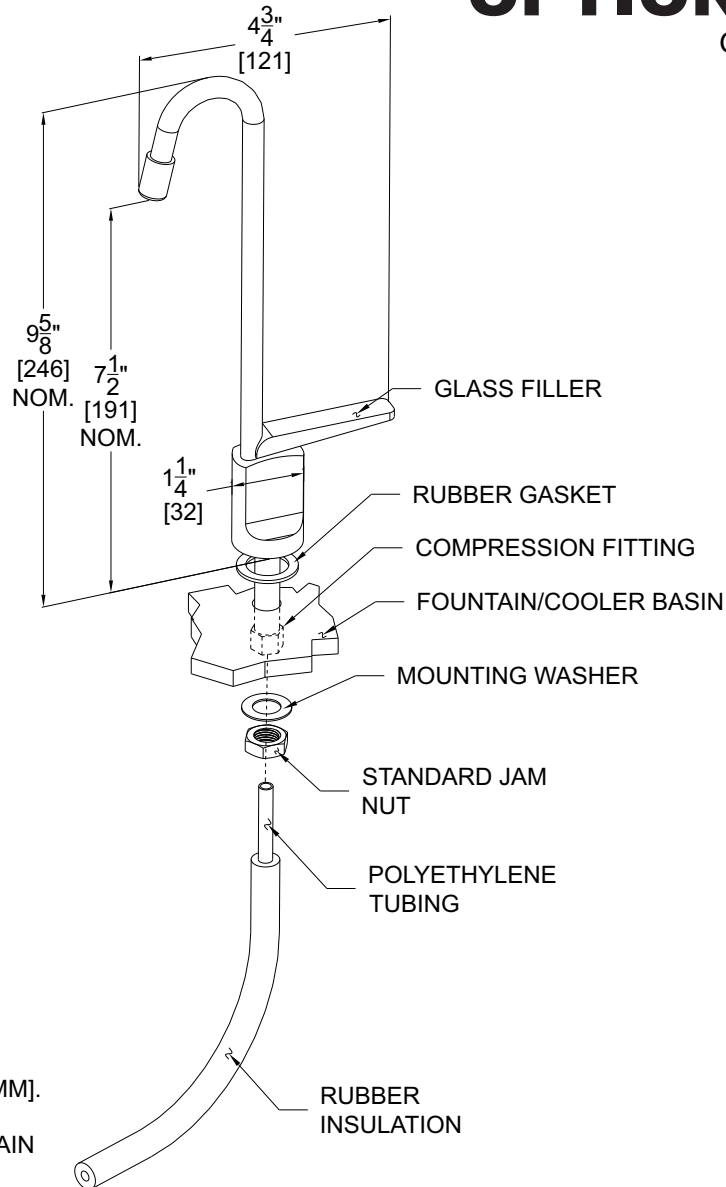
Water
Conserving
Product

 WARNING: Cancer and Reproductive Harm - www.P65Warnings.ca.gov

MURDOCK MFG. • 15125 Proctor Avenue • City of Industry, CA 91746 USA
Phone 800-453-7465 or 626-333-2543 • Fax 626-855-4860 • www.murdockmfg.com

Member of
MORRIS GROUP
INTERNATIONAL

OPTION -GF1
GLASS FILLER



GENERAL NOTES:

1. ALL DIMENSIONS ARE IN INCHES [MM].
2. MOUNTING AND CONNECTION HARDWARE PROVIDED WITH FOUNTAIN OR COOLER

Murdock Mfg.™ warrants that its products are free from defects in material or workmanship under normal use and service for a period of one year from date of shipment. Murdock's liability under this warranty shall be discharged solely by replacement or repair of defective material, provided Murdock™ is notified in writing within one year from date of shipment, F.O.B. Industry, California.

SELECTION SUMMARY & APPROVAL FOR MANUFACTURING	Model Number & Options _____	Quantity _____	<p><small>All dimensions are subject to manufactures tolerance of plus or minus 1/2" nominal and subject to change without notice. Murdock assumes no responsibility for use of void or superseded data. Dimensions may change with the addition of optional accessories. Murdock Mfg.™, Member of Morris Group International™. Please visit www.murdockmfg.com for most current specifications.</small></p>
	Company _____		
	Contact _____	Title _____	
	Signature (Approval for Manufacturing) _____	Date _____	