



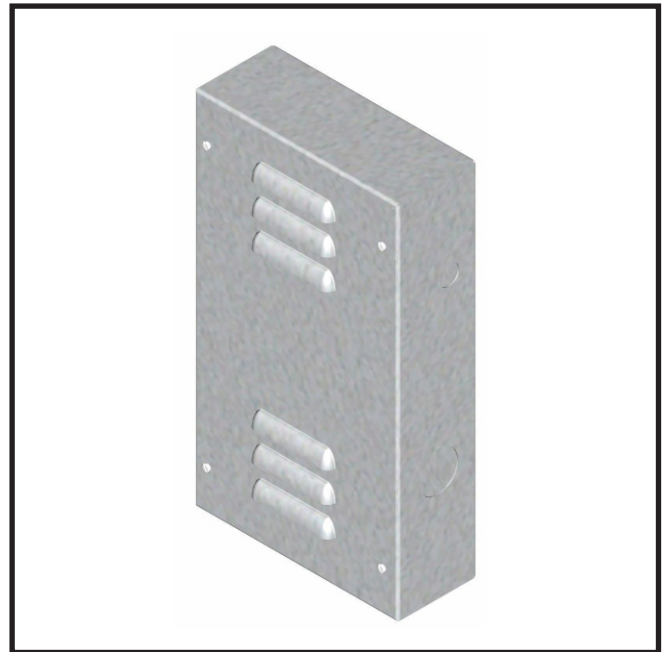
# OPTIONS

## OPTION -FRA1

ABOVE GROUND FREEZE RESISTANT  
VALVE SYSTEM - SINGLE BUBBLER FOUNTAIN

### STANDARD FEATURES

- Freeze resistant, above ground valve system
- Pneumatic actuation
- Permits year-round usage, even when outside temperature drops below freezing
- Galvanized, louvered cabinet
- Vandal resistant screws



### MODEL:

(Must Specify)

- A0000000-FRA1 Above Ground Freeze Resistant  
1 Valve System

### SUGGESTED SPECIFICATIONS

Model A0000000-FRA1 is an above ground freeze resistant valve system for use with specially equipped wall mounted fountains with a push-button pneumatically actuated valve. The unit is to be installed on the inside wall where the room temperature does not drop below 50°F. When the valve goes to the off position, the water left in the supply line and bubbler drains back into the waste tube, inside the cabinet. This permits the fountain on the outside wall to function year-round. Unit shall adhere to NSF/ANSI 61, Section 9.



Member of  
U.S. Green  
Building  
Council



Recyclable  
Product



Water  
Conserving  
Product

WARNING: Cancer and Reproductive Harm - [www.P65Warnings.ca.gov](http://www.P65Warnings.ca.gov)

MURDOCK MFG. • 15125 Proctor Avenue • City of Industry, CA 91746 USA  
Phone 800-453-7465 or 626-333-2543 • Fax 626-855-4860 • [www.murdockmfg.com](http://www.murdockmfg.com)

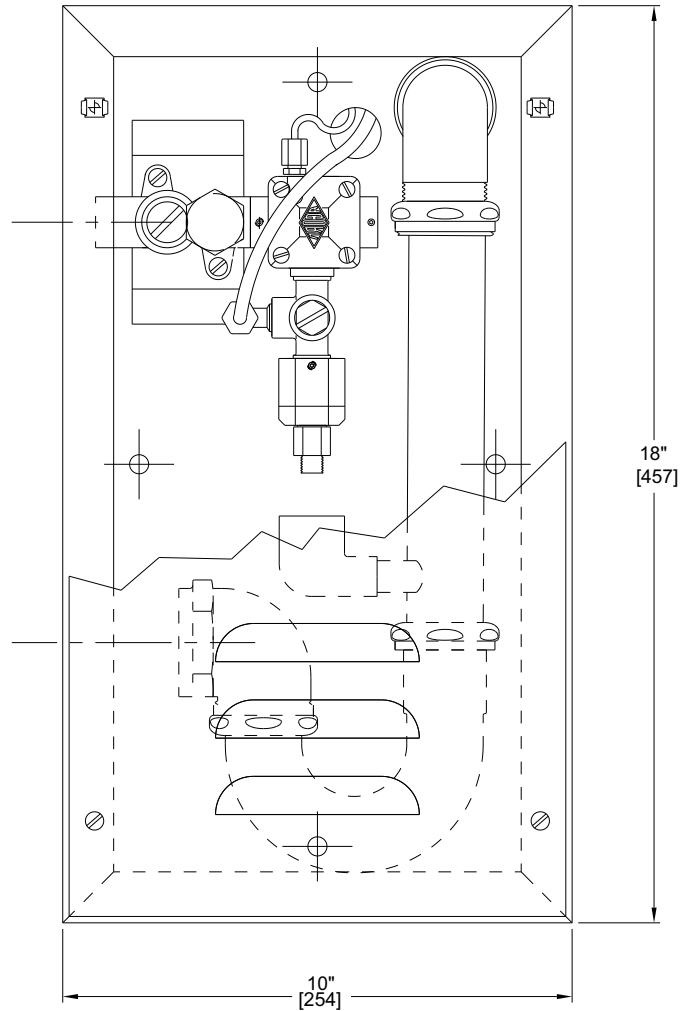
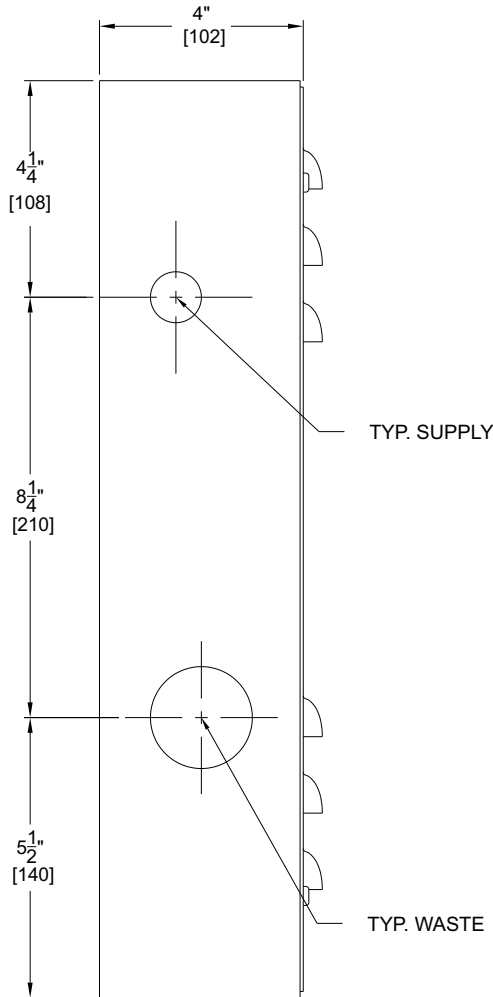
Member of  
MORRIS GROUP  
INTERNATIONAL



# OPTIONS

## OPTION -FRA1

ABOVE GROUND FREEZE RESISTANT VALVE SYSTEM  
- SINGLE BUBBLER FOUNTAIN



- GENERAL NOTES:
1. ALL DIMENSIONS ARE IN INCHES [MM].
  2. FREEZE RESISTANT VALVE ASSEMBLY MUST BE LOCATED IN AREA NOT SUBJECT TO FREEZING.

Murdock Mfg.™ warrants that its products are free from defects in material or workmanship under normal use and service for a period of one year from date of shipment. Murdock's liability under this warranty shall be discharged solely by replacement or repair of defective material, provided Murdock™ is notified in writing within one year from date of shipment, F.O.B. Industry, California.

SELECTION SUMMARY & APPROVAL FOR MANUFACTURING	Model Number & Options _____	Quantity _____	All dimensions are subject to manufactures tolerance of plus or minus 1/2" nominal and subject to change without notice. Murdock assumes no responsibility for use of void or superseded data. Dimensions may change with the addition of optional accessories. Murdock Mfg.™, Member of Morris Group International™. Please visit <a href="http://www.murdockmfg.com">www.murdockmfg.com</a> for most current specifications.
	Company _____		
	Contact _____	Title _____	
	Signature (Approval for Manufacturing) _____	Date _____	

MURDOCK MFG. • 15125 Proctor Avenue • City of Industry, CA 91746 USA  
Phone 800-453-7465 or 626-333-2543 • Fax 626-855-4860 • [www.murdockmfg.com](http://www.murdockmfg.com)

Member of MORRIS GROUP INTERNATIONAL