

BF2SC Series

UNIVERSAL COMPACT BOTTLE FILLER,
SENSOR OPERATED FOR RETROFIT
AND NEW INSTALLATIONS

STANDARD FEATURES

- **Compact Design and Adjustable Tray Retrofits Existing Drinking Fountains. See List Below.**
- Hands Free Sensor Operation
- Heavy Duty Stainless Steel Cabinet
- Standard Battery Operation (6-AA Not Provided)
- Standard 115v Plug-in Power Supply (PIP)
- Laminar Flow Water Supply
- 1 GPM Fill Rate (Min. Set Pressure 40 PSI)
- Lead Free
- 100-Mesh Inlet Strainer

SUGGESTED SPECIFICATIONS

Universal Compact Bottle Filler shall be Murdock Model BF2SC, with 12" compact width, and 9 volt, battery powered Sensor operation designed to be used with Murdock and competitor's Drinking Fountains. Provide Bottle Filler with two trays to provide adjustable lengths to fit existing units. Housing to include removable Finish Trim Bracket which may be trimmed to provide Cabinet adjustment of up to 1/2" at wall (if needed). Cabinet is fabricated of heavy gauge, type 304 stainless steel. The Bottle Filler shall comply with ADA forward reach requirements when mounted at the appropriate height. Unit shall be certified to Public Law 111-380 (NO-LEAD) and NSF/ANSI/CAN 61.

NOTE: Universal Compact Bottle Filler retrofits industry standard box style fountains such as, but not limited to the following models:*

- Murdock: **A151, A152 Series**
- Haws: 1109, 1119, 1117²
- Elkay: EDFP214
- Oasis: F140PM

*** NOTE: For models listed above and all others, Installer/Specifier is responsible to verify existing rough-in conditions to ensure retrofit compatibility.**

Complies with the following standards:



Federal Public Law 111-380 (No Lead)



NSF/ANSI/CAN 61



Recyclable Product



Water Conserving Product

Product Warranty

WARNING: Cancer and Reproductive Harm - www.P65Warnings.ca.gov



U.S. DESIGN PATENT D718,971 S

BF2SC Bottle Filler, shown with Murdock[®] model A151-VR Drinking Fountain

MODEL:

(Must Specify)

- BF2SC Universal Compact Bottle Filler, Sensor Operated

OPTIONS

(additional costs may be incurred)

- ETB Extended Trim Bracket²
- WF3 3000-gallon capacity Water Filter¹

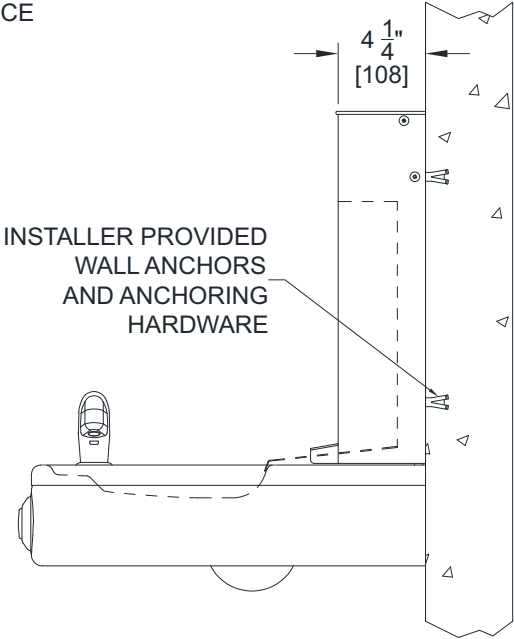
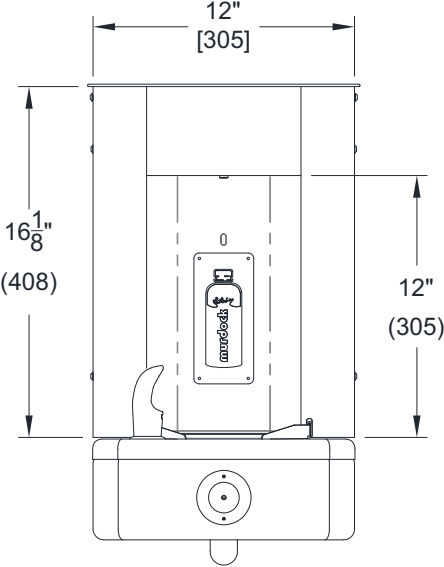
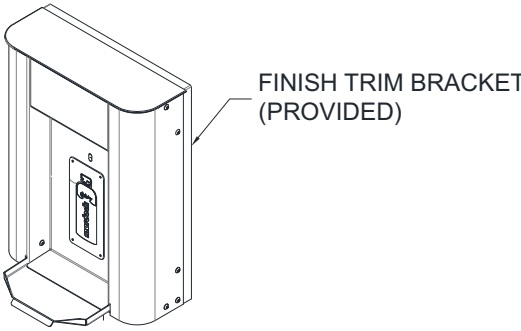
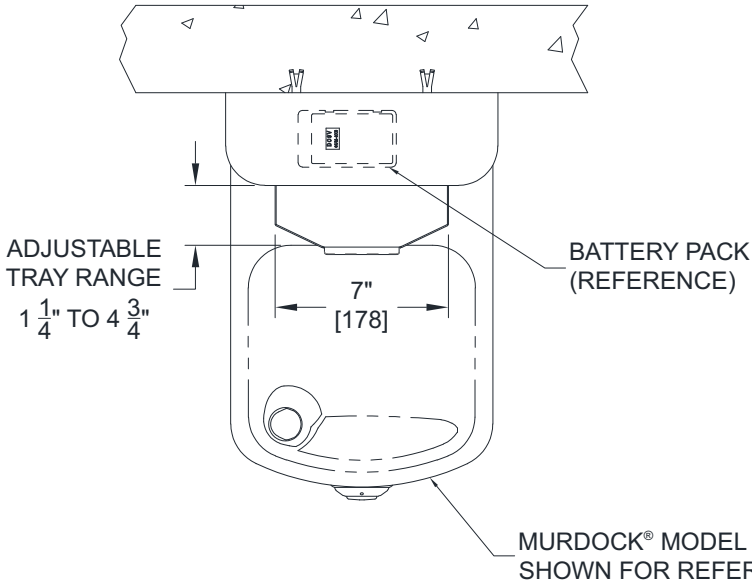
Options Notes:

¹ Water Filter shipped loose for remote mounting

² Trim Bracket extends standard Trim Bracket provided from 1/2" to 1". May be field cut to ensure finished appearance without gap at wall when needed to accommodate certain fountains.

BF2SC Series

UNIVERSAL COMPACT BOTTLE FILLER,
SENSOR OPERATED FOR RETROFIT
AND NEW INSTALLATIONS



- GENERAL NOTES:
1. ALL DIMENSIONS ARE IN INCHES (MM)
2. FOR RETROFIT APPLICATIONS REFER TO MODELS LISTED ON PAGE 1

SELECTION SUMMARY & APPROVAL FOR MANUFACTURING	Model Number & Options _____	Quantity _____	<p><i>All dimensions are subject to manufactures tolerance of plus or minus 1/4" nominal and subject to change without notice. Murdock[®] assumes no responsibility for use of void or superseded data. Dimensions may change with the addition of optional accessories. Murdock[®] Mfg., Member of Morris Group International[®]. Please visit www.murdockmfg.com for most current specifications.</i></p>
	Company _____		
	Contact _____	Title _____	
	Signature (Approval for Manufacturing) _____	Date _____	