

BF1SC Series

UNIVERSAL COMPACT BOTTLE FILLER,
PUSHBUTTON OPERATED FOR RETROFIT
AND NEW INSTALLATIONS

STANDARD FEATURES

- **Compact Design and Adjustable Drain Tray Retrofits Existing Drinking Fountains. See List Below.**
- **Chrome Plated Brass Pushbutton**
- **Heavy Duty Stainless Steel Cabinet**
- **Laminar Flow Water Supply**
- **1 GPM Fill Rate (Min. Set Pressure 40 PSI)**
- **Lead Free**
- **100-Mesh Inlet Strainer**

SUGGESTED SPECIFICATIONS

Universal Compact Bottle Filler shall be Murdock Model BF1SC, with 12" compact width, with Pushbutton operation designed to be used with Murdock and competitor's Drinking Fountains. Provide Bottle Filler with two trays to provide adjustable lengths to fit existing units. Housing to include removable Finish Trim Bracket which may be trimmed to provide Cabinet adjustment of up to 1/2" at wall (if needed). Cabinet is fabricated of heavy gauge, type 304 stainless steel. The Bottle Filler shall comply with ADA forward reach requirements when mounted at the appropriate height. Unit shall be certified to Public Law 111-380 (NO-LEAD) and NSF/ANSI/CAN 61.

NOTE: Universal Compact Bottle Filler retrofits industry standard box style fountains such as, but not limited to the following models:*

- **Murdock: A151, A152 Series**
- **Haws: 1109, 1119 Series, 1117 Series**
- **Elkay: EDFP214**
- **Oasis: F140PM**

*** NOTE: For models listed above and all others, Installer/Specifier is responsible to verify existing rough-in and site conditions to ensure retrofit compatibility.**

Complies with the following standards:



Federal Public Law 111-380 (No Lead)



NSF/ANSI/CAN 61



Recyclable Product



Water Conserving Product

Product Warranty

WARNING: Cancer and Reproductive Harm - www.P65Warnings.ca.gov



U.S. DESIGN PATENT D718,971 S

BF1SC Bottle Filler, shown with Murdock® model A151-VR Drinking Fountain

MODEL:

(Must Specify)

- BF1SC Universal Compact Bottle Filler, Pushbutton Operated

OPTIONS

(additional costs may be incurred)

- ETB Extended Trim Bracket ²
- WF3 3000-gallon capacity Water Filter ¹

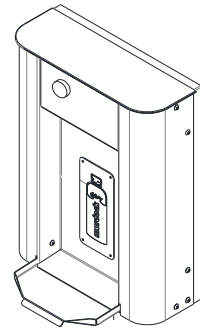
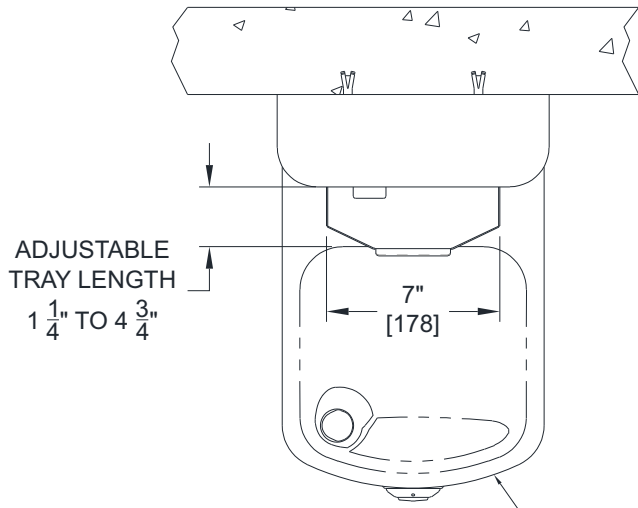
Options Notes:

¹ Water Filter shipped loose for remote mounting

² Trim Bracket extends standard Trim Bracket provided from 1/2" to 1". May be field cut to ensure finished appearance without gap at wall when needed to accommodate certain fountains.

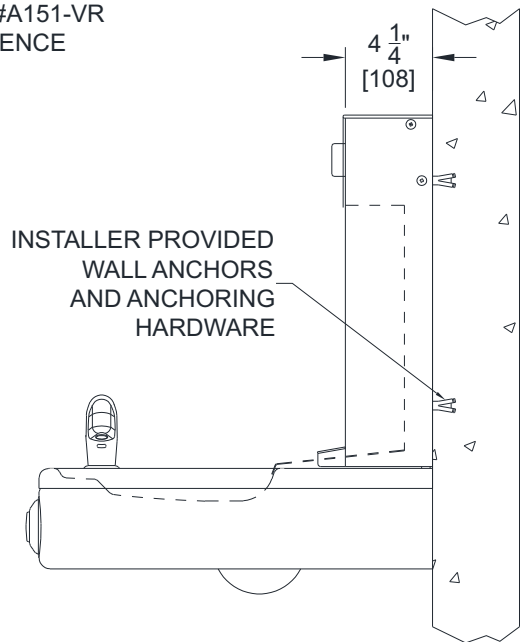
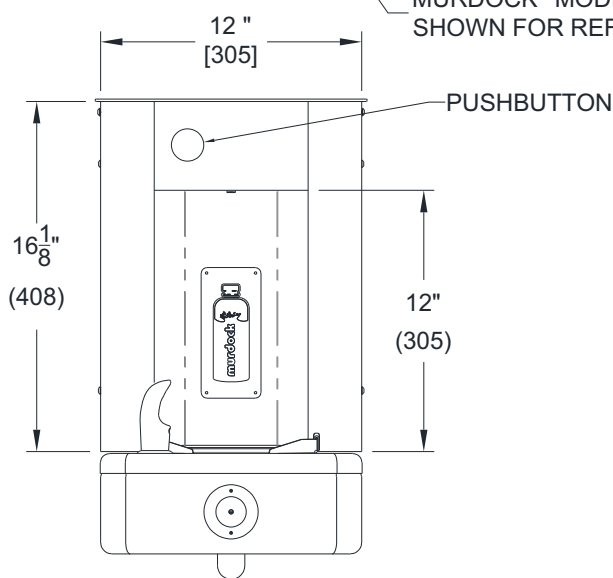
BF1SC Series

UNIVERSAL COMPACT BOTTLE FILLER,
PUSHBUTTON OPERATED FOR RETROFIT
AND NEW INSTALLATIONS



FINISH TRIM BRACKET
(PROVIDED)

MURDOCK[®] MODEL #A151-VR
SHOWN FOR REFERENCE



GENERAL NOTES:

1. ALL DIMENSIONS ARE IN INCHES (MM)
2. FOR RETROFIT APPLICATIONS REFER TO MODELS LISTED ON PAGE 1

SELECTION SUMMARY
& APPROVAL FOR
MANUFACTURING

Model Number & Options _____	Quantity _____
Company _____	
Contact _____	Title _____
Signature (Approval for Manufacturing) _____	Date _____

All dimensions are subject to manufactures tolerance of plus or minus 1/4" nominal and subject to change without notice. Murdock[®] assumes no responsibility for use of void or superseded data. Dimensions may change with the addition of optional accessories. Murdock[®] Mfg., Member of Morris Group International[®]. Please visit www.murdockmfg.com for most current specifications.