



BOTTLE FILLER

BF16 Series

SURFACE MOUNT SENSOR OPERATED BOTTLE FILLER

STANDARD FEATURES

- 100-Mesh Inlet Strainer
- Laminar Flow Water Supply
- 1.0 GPM Fill Rate
- Lead-Free
- Fold Down Housing for easy Maintenance Access
- 20-Second Maximum Run Time
- Universal Mounting Points for easy Retrofit Capability
- ADA Compliant when installed correctly. Refer to 2010 ADA Standards for Accessible Design for complete Installation Requirements particularly if located on an *Accessible Route* or *Circulation Path*. Compliance is subject to the Interpretation and Requirements of the Local Code Authority.
- 120 VAC/9 VDC plug-in Transformer

SUGGESTED SPECIFICATIONS

Model BF16 is a Surface Mount Sensor Operated Bottle Filler. Bottle Filling unit shall include Sensor Operated activation with a 20-second maximum run time. LED Lights illuminate the Bottle Fill area and brightens when a Bottle is detected. Optional -BCD (Bottle Counter Display) indicates the quantity of 16 oz disposable Plastic Bottles saved from a land fill and also displays the Water Filter status. Optional Water Filter has NSF/ANSI 42 & 53 certification and reduces lead content in the drinking water by 99%. Bottle Filler shall provide approximately 1.00 GPM flow rate with a Laminar Flow Spout to minimize splashing. Housing has a slim and trim look that blends into your environment. Designed for Maintenance Advantage installation and service. When installed properly, the Bottle Filler complies with ADA forward and side reach requirements. Bottle Filler is fabricated of type 304 stainless steel polished to a satin finish with antimicrobial impact resistant ABS surfaces. Unit is certified to ANSI A117.1, Public Law 111-380 (NO-LEAD), CHSC 116875 and NSF/ANSI 61, Section 9.



MODEL:

(Must Specify)

- BF16 Surface Mounted Sensor Operated Bottle Filler

OPTIONS

(additional costs may be incurred)

- BAT Battery Operated (N/A with Bottle Counter)
- BCD Bottle Counter Display
- LOGO Customer Specified Logo / Graphics
- WF1 1500-gallon capacity, NSF 42+53, 1 micron Lead Reduction Water Filter
- WF3 3000-gallon capacity, NSF 42+53, 1 micron Lead Reduction Water Filters

Complies with the following standards:



Member of U.S. Green Building Council



Recyclable Product



Water Conserving Product

WARNING: Cancer and Reproductive Harm - www.P65Warnings.ca.gov

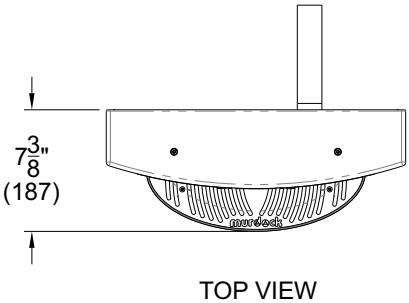
MURDOCK MFG. • 15125 Proctor Avenue • City of Industry, CA 91746 USA
Phone 800-453-7465 or 626-333-2543 • Fax 626-855-4860 • www.murdockmfg.com

Member of MORRIS GROUP INTERNATIONAL

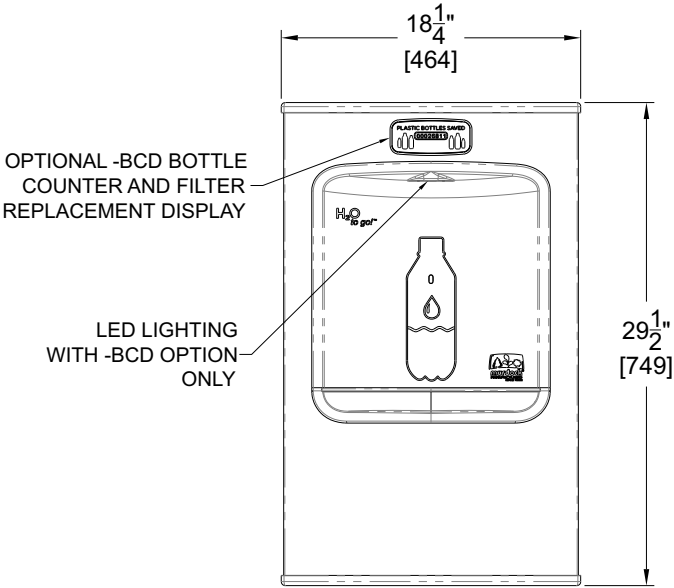


BOTTLE FILLER

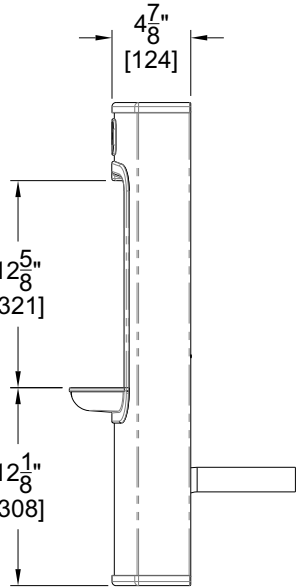
BF16 Series SURFACE MOUNTED SENSOR OPERATED BOTTLE FILLER



TOP VIEW



FRONT VIEW



SIDE VIEW

GENERAL NOTES:
1. ALL DIMENSIONS ARE IN INCHES (MM)

Murdock Mfg.™ warrants that its products are free from defects in material or workmanship under normal use and service for a period of 18 months from date of shipment. The sealed refrigeration system is warranted for five years. Murdock's liability under this warranty shall be discharged solely by replacement or repair of defective material, provided Murdock™ is notified in writing within one year from date of shipment, F.O.B. Industry, California.

SELECTION SUMMARY & APPROVAL FOR MANUFACTURING	Model Number & Options _____	Quantity _____	All dimensions are subject to manufactures tolerance of plus or minus 1/2" nominal and subject to change without notice. Murdock assumes no responsibility for use of void or superseded data. Dimensions may change with the addition of optional accessories. Murdock Mfg.™, Member of Morris Group International™. Please visit www.murdockmfg.com for most current specifications.
	Company _____		
	Contact _____	Title _____	
	Signature (Approval for Manufacturing) _____	Date _____	

MURDOCK MFG. • 15125 Proctor Avenue • City of Industry, CA 91746 USA
Phone 800-453-7465 or 626-333-2543 • Fax 626-855-4860 • www.murdockmfg.com

Member of
MORRIS GROUP
INTERNATIONAL