

## BF11R Bottle Filler Series

H<sub>2</sub>O TO GO!<sup>®</sup> RETROFIT DECK MOUNT  
PUSHBUTTON OPERATED BOTTLE FILLER

### STANDARD FEATURES

#### Bottle Filler

- ADA Compliant
- 100-Mesh Inlet Strainer
- Pushbutton Operation
- 1 GPM Laminar Flow Nozzle

#### Retrofit Basin

- Rear Sloped Basin w/ Hole
- Fits existing A171, A172, Water Cooler Series

### SUGGESTED SPECIFICATIONS

#### Bottle Filler BF11R

Bottle Filling unit shall include Pushbutton operated activation. Housing construction will be 20 gage Stainless Steel with a satin finish and will also include components manufactured from Antimicrobial, impact resistant ABS. Bottle Filler shall provide approximately 1.0 GPM flow rate with a Laminar Flow Spout to minimize splashing.

#### Retrofit Basin

Basin shall be constructed from 304 stainless steel and have an integral drain.



**"INDOOR USE ONLY"**

#### **MODEL:** (Must Specify)

- BF11R Pushbutton Operated Bottle Filler w/ Retrofit Basin

Complies with the following standards:



Federal Public Law 111-380 (No Lead)



NSF/ANSI/CAN 61

[Product Warranty](#)

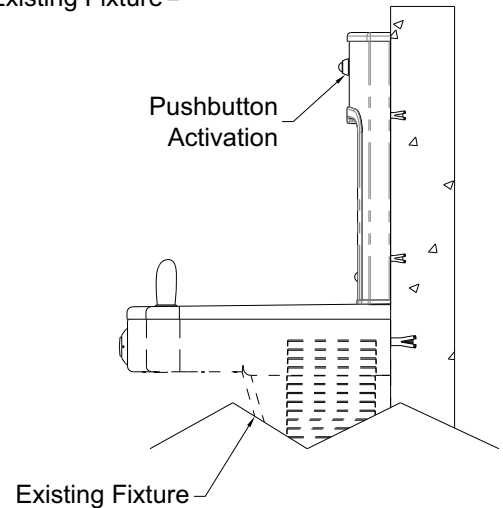
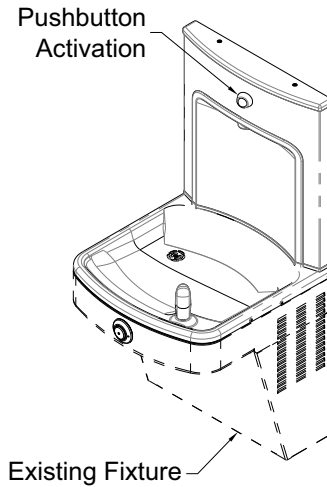
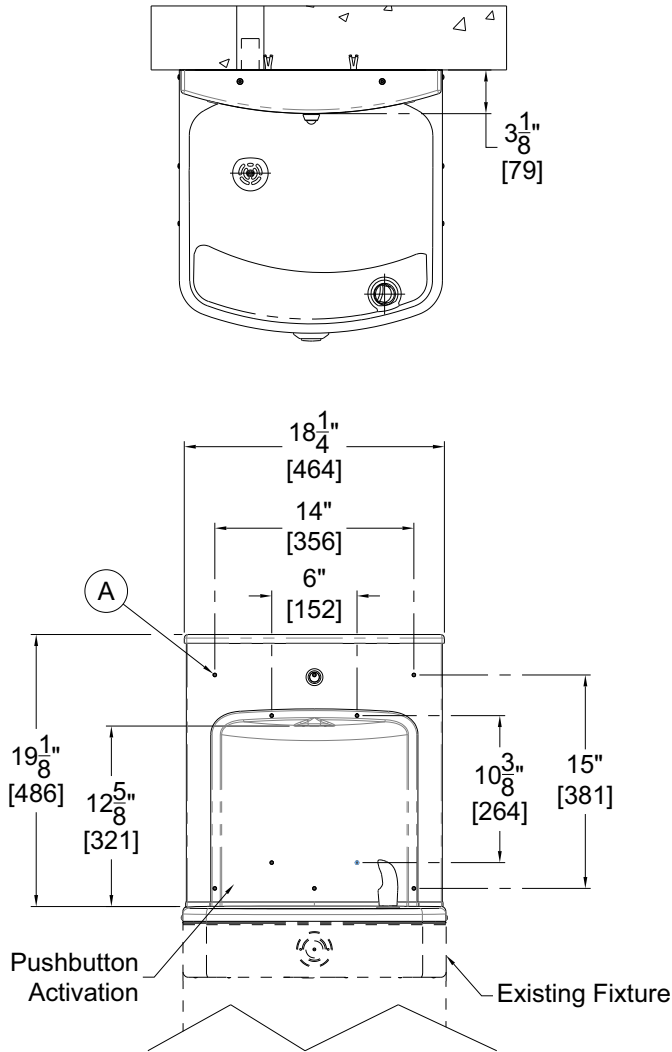
**⚠ WARNING: Cancer and Reproductive Harm - [www.P65Warnings.ca.gov](http://www.P65Warnings.ca.gov)**

**MURDOCK MFG.** • 15125 Proctor Avenue • City of Industry, CA 91746 USA  
Phone 800-453-7465 or 626-333-2543 • [www.murdockmfg.com](http://www.murdockmfg.com)

Member of  
**MORRIS GROUP**  
INTERNATIONAL

**BF11R Bottle Filler Series**

H<sub>2</sub>O TO GO!<sup>®</sup> DECK MOUNT PUSHBUTTON  
OPERATED BOTTLE FILLER



**General Note:**

1. All dimensions are in inches [MM]

- A. Ø1/4" Holes, 10 Places for Anchoring Hardware, provided by others

<b>SELECTION SUMMARY &amp; APPROVAL FOR MANUFACTURING</b>	Model Number & Options _____	Quantity _____	<p><i>All dimensions are subject to manufactures tolerance of plus or minus 1/4" nominal and subject to change without notice. Murdock<sup>®</sup> assumes no responsibility for use of void or superseded data. Dimensions may change with the addition of optional accessories. Murdock<sup>®</sup> Mfg., Member of Morris Group International<sup>®</sup>. Please visit <a href="http://www.murdockmfg.com">www.murdockmfg.com</a> for most current specifications.</i></p>
	Company _____		
	Contact _____	Title _____	
	Signature (Approval for Manufacturing) _____	Date _____	