



# OPTIONS

## OPTION -AP1

WALL MOUNTED  
SINGLE ACCESS PANEL

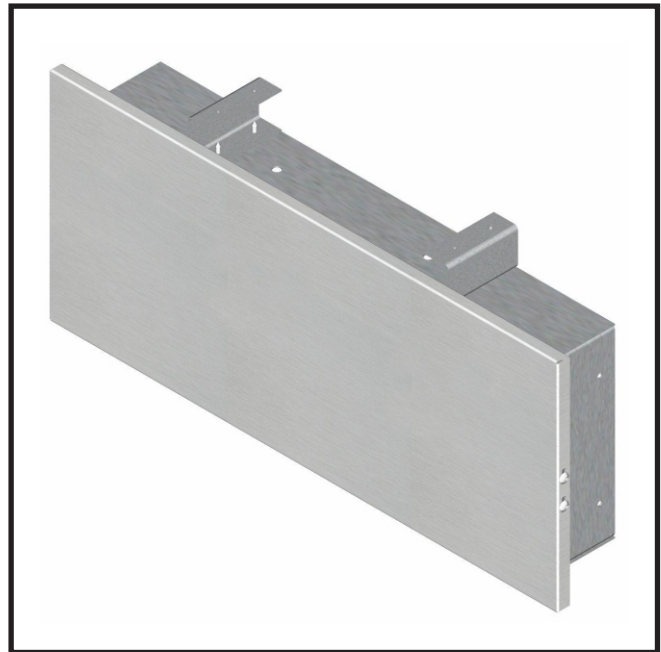
### STANDARD FEATURES

- 20 gage, 304 stainless steel panel
- Vandal resistant screws
- Mounting frame

### SUGGESTED SPECIFICATIONS

Model A0004000-AP1 is a 21" (533 mm) x 9" (229 mm) vandal resistant and wall mounted access panel made from 20 gage, 304 stainless steel with a brushed finish. Unit includes mounting frame and panel screws. It is used with single, wall mounted drinking fountains with back panel to provide accessibility to the plumbing behind the wall.

*NOTE: A0004000-AP1 requires the A0000000-MF1 mounting frame*



### MODEL:

*(Must Specify)*

- |                                       |                                |
|---------------------------------------|--------------------------------|
| <input type="checkbox"/> A0002000-AP1 | Bronze Finish                  |
| <input type="checkbox"/> A0003000-AP1 | Gold Finish (High Polish)      |
| <input type="checkbox"/> A0004000-AP1 | Satin Stainless Finish (Shown) |



Member of  
U.S. Green  
Building  
Council



Recyclable  
Product



Water  
Conserving  
Product

**WARNING:** Cancer and Reproductive Harm - [www.P65Warnings.ca.gov](http://www.P65Warnings.ca.gov)

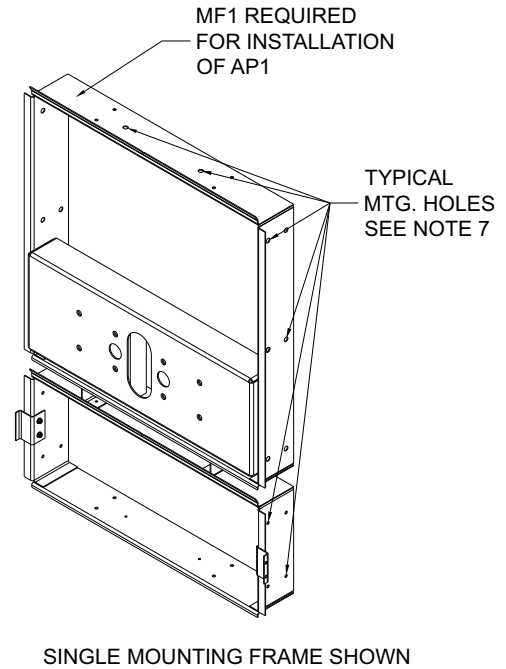
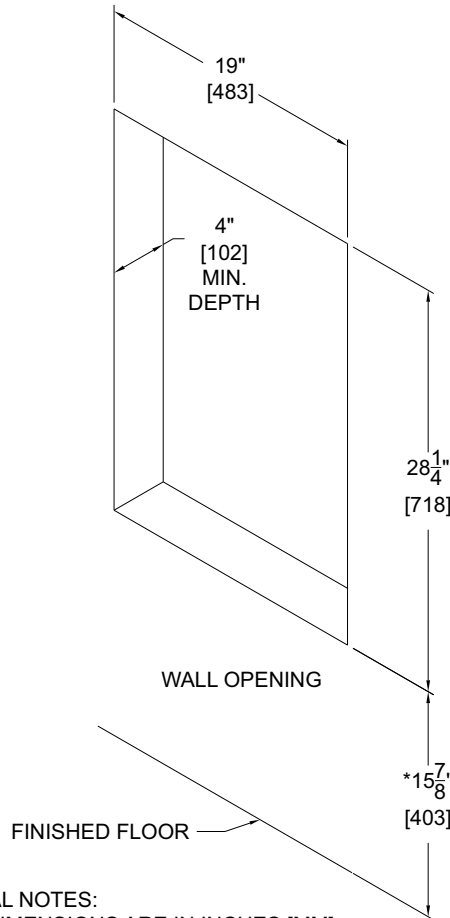
**MURDOCK MFG.** • 15125 Proctor Avenue • City of Industry, CA 91746 USA  
Phone 800-453-7465 or 626-333-2543 • Fax 626-855-4860 • [www.murdockmfg.com](http://www.murdockmfg.com)

Member of  
**MORRIS GROUP**  
INTERNATIONAL



# OPTIONS

## OPTION -AP1 WALL MOUNTED SINGLE ACCESS PANEL



**GENERAL NOTES:**

1. ALL DIMENSIONS ARE IN INCHES [MM].
2. MOUNTING FRAME FOR USE WITH SINGLE FOUNTAINS.
- \*3. VERTICAL FRAME HEIGHT IS SHOWN FOR RECOMMENDED ADULT HEIGHT WITH 27" [686] KNEE CLEARANCE. ADJUST DIMENSIONS AS NECESSARY TO COMPLY WITH FEDERAL, STATE, & LOCAL CODES. REFER TO FOUNTAIN ROUGH-IN FOR MORE DETAIL ON FIXTURE DIMENSIONS.
4. HOLD ROUGH-IN DIMENSIONS  $\pm 1/8"$  [3].
5. THIS FRAME IS USED WITH SEVERAL MODELS OF FOUNTAINS. WASTE & SUPPLY HEIGHTS ARE DETAILED IN THE FOUNTAIN ROUGH-IN DRAWING.
6. FRAME MUST BE INSTALLED SO THE SIDE LIP OF FRAME OVERLAPS & BUTTS UP AGAINST FINISHED WALL.
7. SECURE FOUNTAIN FRAMES TO WALL AND SPACER USING  $1/4"$  LAG SCREW IN  $\varnothing 5/16"$  [8] MOUNTING HOLES, 10 PLACES.

Murdock Mfg.™ warrants that its products are free from defects in material or workmanship under normal use and service for a period of one year from date of shipment. Murdock's liability under this warranty shall be discharged solely by replacement or repair of defective material, provided Murdock™ is notified in writing within one year from date of shipment, F.O.B. Industry, California.

<b>SELECTION SUMMARY &amp; APPROVAL FOR MANUFACTURING</b>	Model Number & Options _____	Quantity _____	All dimensions are subject to manufactures tolerance of plus or minus 1/2" nominal and subject to change without notice. Murdock assumes no responsibility for use of void or superseded data. Dimensions may change with the addition of optional accessories. Murdock Mfg.™, Member of Morris Group International™. Please visit <a href="http://www.murdockmfg.com">www.murdockmfg.com</a> for most current specifications.
	Company _____		
	Contact _____	Title _____	
	Signature (Approval for Manufacturing) _____	Date _____	