

AI81.8 Series

MODEL AI81408S

BARRIER FREE, INVERTED, FULLY RECESSED
WALL MOUNTED ELECTRIC DRINKING FOUNTAIN

STANDARD FEATURES

- Child Or Adult Ada Compliant
(when Properly Installed With a Knee Clearance Alcove)
- 18 Gauge, 304 Stainless Steel Cabinet
- 16 Gauge, Galvanized or Galvannealed Mounting Frame
(A0000000-MF7)
- Polished Stainless Steel, Anti-Rotation, Non-Squirt
Bubbler
- 100-Mesh Inlet Strainer
- Vandal Resistant Screws

SUGGESTED SPECIFICATIONS

Model AI81408S is a self-contained, inverted and fully recessed pressurized electric drinking fountain that shall deliver a minimum of **8.0 GPH** (30.3 LPH) of water at 50°F (10°C) cooled from 80°F (26.7°C) inlet water and 90°F (32.2°C) ambient. Unit shall be activated by a chrome plated brass front pushbutton using less than 5 pounds of force. Bubbler shall be stainless steel with an integrally designed non-squirt feature and operates on a water pressure range of 20–105 PSIG. Cabinet panels shall be constructed from 304 stainless steel and the bowl shall have an integral drain. Cooling system shall use R-134a refrigerant and be capillary tube regulated. An adjustable thermostat with an off position shall regulate the refrigeration system. Unit shall be listed by Underwriters Laboratories for both the US and Canada and is compliant to the Air Conditioning and Refrigeration Institute Standard 1010. Unit shall be certified to Public Law 111-380 (NO-LEAD) and NSF/ANSI/CAN 61. Fixture meets ADA, ADA Standing Person, and ADA Child requirements when mounted appropriately. Optional WF3000 PFAS Water Filter shall have 3000 gallon capacity with 3rd Party Certification for Lead, Bacteria, Chlorine, Microplastics, and NSF/ANSI for Cyst and total PFAS reduction.

Model Number	GPH*	Rated Watts	Full Load Amps	Approx. Shipping Weight
AI81408S	8.0	390	4.6	110 lbs.

* GPH of 50°F water at 90°F ambient room temperature and 80°F inlet water temperature
Compressor motor operates on 115 Volt / 60 Hz single phase.

Complies with the following standards:



Federal Public Law 111-380 (No Lead)



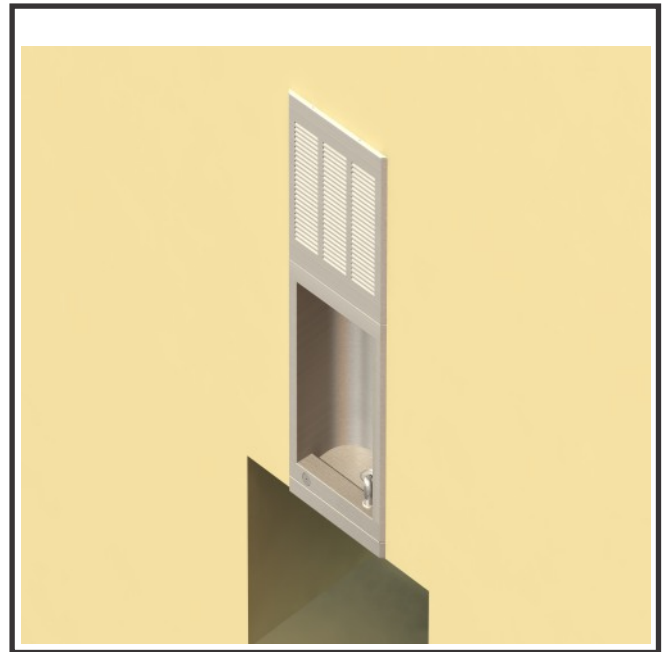
ANSI/ASHRAE 18



(220V Compressor Only)

NSF/ANSI/CAN 61-2020

ANSI/ASHRAE 18



“INDOOR USE ONLY”

MODEL:

(Must Specify)

- AI81408F Flexible Bubbler
 AI81408S Stainless Steel Bubbler

OPTIONS

(additional costs may be incurred)

- GF2 Glass filler
 -220V 220 volt / 50 Hz Compressor (C €)

ACCESSORIES

(additional costs may be incurred)

- WF3000 3000-gallon PFAS Water Filter (See Note *)¹
 NSF/ANSI, PFAS, Lead, Bacteria, Chlorine, Microplastics

NOTES:

1- Refer to Supplemental Submittal Sheet for Complete Product details.

* NOTE: For Optional -WF1 And -WF3000:
 Installer Responsible for Remotely Locating Water Filter.

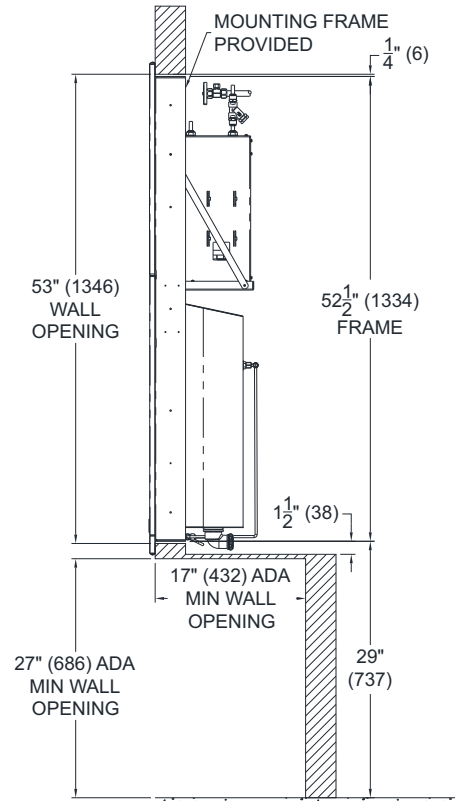
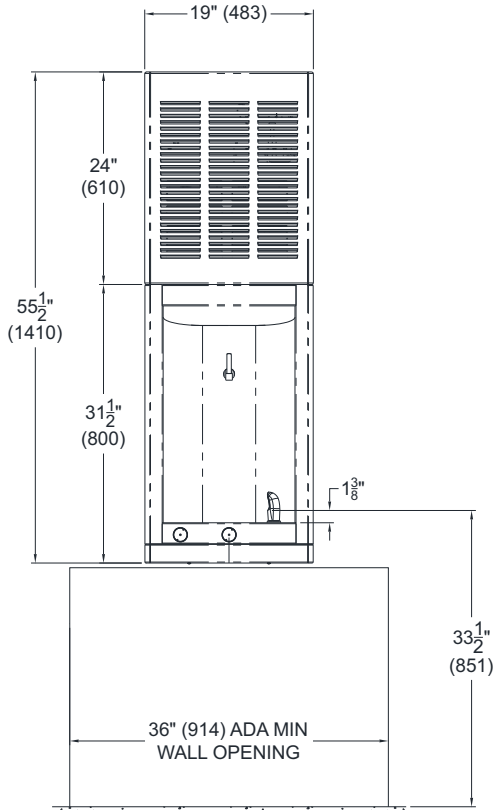
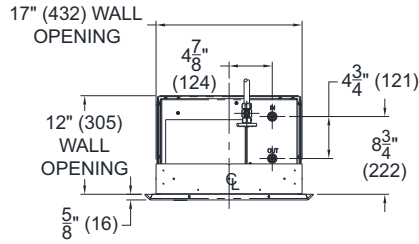
[3000 Gallon PFAS Filter Certifications](#)

[Product Warranty](#)

⚠ WARNING: Cancer and Reproductive Harm - www.P65Warnings.ca.gov

AI81.8 Series
MODEL AI81408S

BARRIER FREE, INVERTED, FULLY RECESSED
WALL MOUNTED ELECTRIC DRINKING FOUNTAIN



GENERAL NOTES:

1. ALL DIMENSIONS ARE IN INCHES [MM]
- *2. DIMENSIONS SHOWN ARE FOR RECOMMENDED ADULT HEIGHT, ADJUST VERTICAL DIMENSIONS AS NECESSARY TO COMPLY WITH FEDERAL, STATE, & LOCAL CODES
3. STOP VALVE NOT PROVIDED
4. WATER LINE FROM CHILLER TO FOUNTAIN SHOULD BE COVERED WITH SPONGE FOAM RUBBER OR ICE WATER INSULATION OF ADEQUATE THICKNESS.

**SELECTION SUMMARY
& APPROVAL FOR
MANUFACTURING**

Model Number & Options _____	Quantity _____
Company _____	
Contact _____	Title _____
Signature (Approval for Manufacturing) _____	Date _____

All dimensions are subject to manufactures tolerance of plus or minus 1/4" nominal and subject to change without notice. Murdock® assumes no responsibility for use of void or superseded data. Dimensions may change with the addition of optional accessories. Murdock® Mfg., Member of Morris Group International®. Please visit www.murdockmfg.com for most current specifications.