

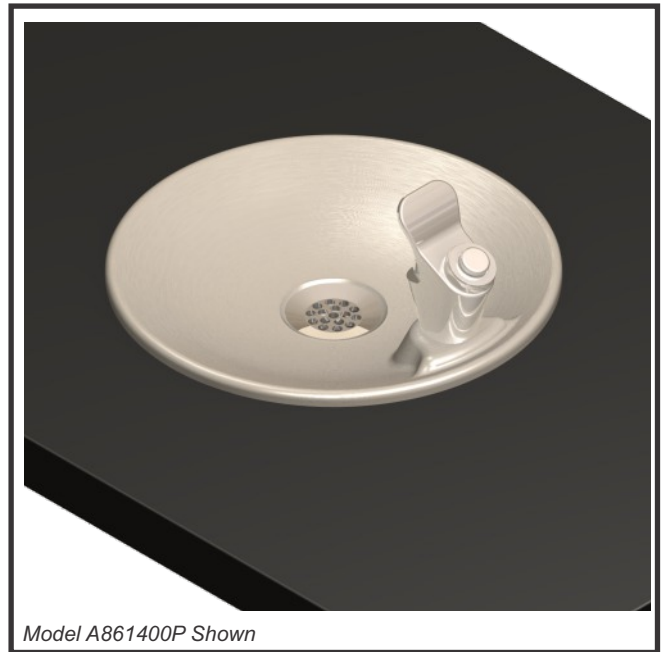
A861 Series
Deck Mounted Drinking Fountain
Model A861400P

STANDARD FEATURES

- 18 gage, 304 stainless steel
- Polished chrome plated brass, anti-rotation, non-squirt pushbutton bubbler
- Vandal-resistant screws
- Mounting plate with hardware

SUGGESTED SPECIFICATIONS

Model A861400P is a deck mounted, drinking fountain made from 18 gage, 304 stainless steel with a brushed finish. Unit shall be activated by a self-closing, pushbutton polished chrome plated brass bubbler with a non-squirt feature and operates on a water pressure range of 20-105 PSIG. Unit is certified to ANSI A117.1, ANSI/NSF 61.9 and Public Law 111-380.



Model A861400P Shown

"INDOOR USE ONLY"

MODEL:

(Must Specify)

- A861400P Chrome Plated Brass Pushbutton Bubbler
- A861400F Flexible Bubbler With A Pushbutton Cartridge Assembly
- A861400S Stainless Steel Bubbler With A Pushbutton Cartridge Assembly

OPTIONS

(additional costs may be incurred)

- PT1 P-trap, 1-1/4" O.D.

Complies with the following standards:



Federal Public Law 111-380 (No Lead)

NSF/ANSI/CAN 61-2020



Recyclable Product



Water Conserving Product

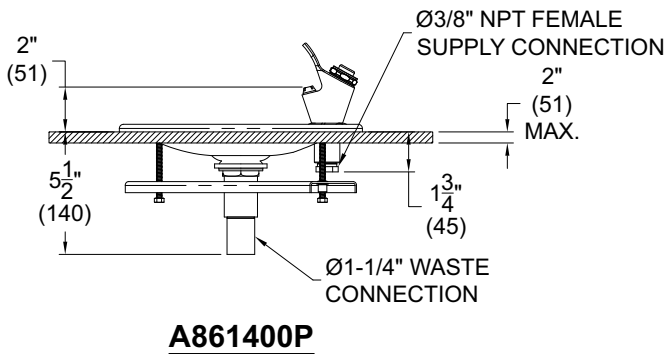
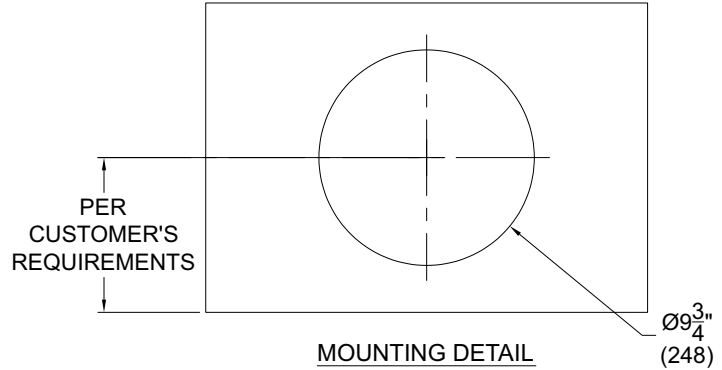
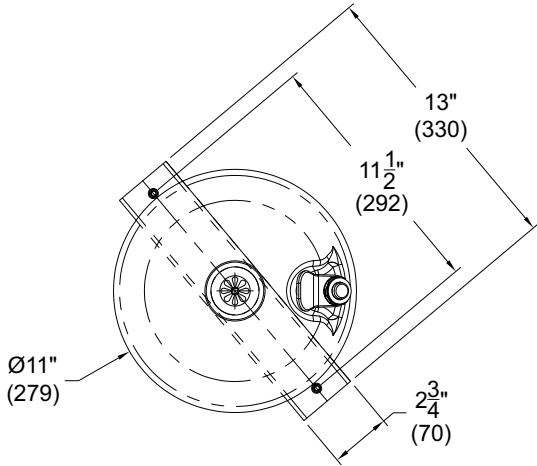
Product Warranty

WARNING: Cancer and Reproductive Harm - www.P65Warnings.ca.gov

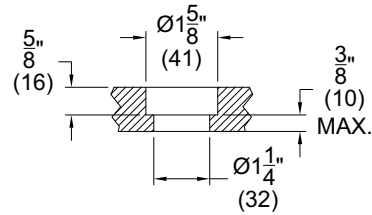


DRINKING FOUNTAIN

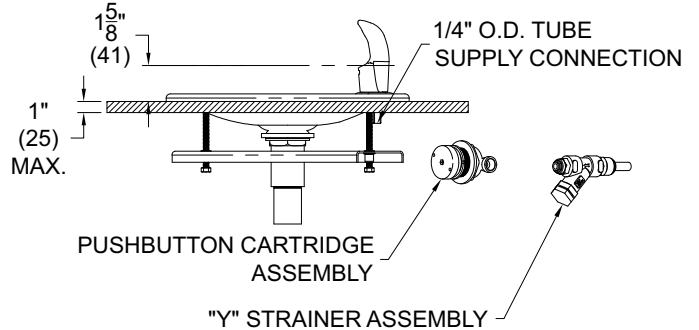
A861 Series Deck Mounted Drinking Fountain Model A861400P



A861400P



**PUSHBUTTON MOUNTING
DETAIL SCALED x 2**



A861400F / A861400S

NOTES:

1. ALL DIMENSIONS ARE IN INCHES (MM).

**SELECTION SUMMARY
& APPROVAL FOR
MANUFACTURING**

Model Number & Options _____	Quantity _____
Company _____	
Contact _____	Title _____
Signature (Approval for Manufacturing) _____	Date _____

All dimensions are subject to manufactures tolerance of plus or minus 1/4" nominal and subject to change without notice. Murdock® assumes no responsibility for use of void or superseded data. Dimensions may change with the addition of optional accessories. Murdock® Mfg., Member of Morris Group International®, Please visit www.murdockmfg.com for most current specifications.