

A611.8 Series

MODEL A611108F-G

FREE STANDING
WATER COOLER

STANDARD FEATURES

- Granite Powder Coated Cabinet
- Flexible, Anti-Rotation, Non-Squirt Bubbler
- 100-Mesh Inlet Strainer
- Vandal Resistant Screws

SUGGESTED SPECIFICATIONS

Model A611108F is a self-contained, pressurized water cooler that shall deliver a minimum of **8.0 GPH** (30.3 LPH) of water at 50°F (10°C) cooled from 80°F (26.7°C) inlet water and 90°F (32.2°C) ambient. Unit shall be activated by a self-closing Pushbutton which activates an internally mounted Valve with an adjustable stream regulator controlling the water flow. Bubbler shall deliver a 0.3 GPM flow, have a Flexible Guard with an integrally designed Non-Squirt feature and operate on a water pressure range of 20-105 PSIG. Basin shall be constructed from 304 Stainless Steel and have an Integral Drain. Cabinet shall be either galvanized or galvanized steel with Gray Powder Coat or stainless steel. Cooling system shall use R-134a Refrigerant and be Capillary Tube regulated. An adjustable Thermostat with an off position shall regulate the refrigeration system. Unit shall be listed by Underwriters Laboratories for both the US and Canada and is compliant to the Air Conditioning and Refrigeration Institute Standard 1010. Unit shall be certified to Public Law 111-380 (NO-LEAD) and NSF/ANSI/CAN 61. Fixture meets requirements for ADA Standing Person.

Model Number	GPH*	Rated Watts	Full Load Amps	Approx. Shipping Weight
A611108F	8.0	400	4.8	70 lbs.

* GPH of 50°F water at 90°F ambient room temperature and 80°F inlet water temperature
Compressor motor operates on 115 Volt / 60 Hz single phase.

Complies with the following standards:



Federal Public Law 111-380 (No Lead)



220V Compressor Only

NSF/ANSI/CAN 61-2020

ANSI/ASHRAE 18



Model A611108F-G Shown

“INDOOR USE ONLY”

MODEL:

(Must Specify)

FLEXIBLE BUBBLER (LOW FLOW)

- A611108F-G Gray Finish (Shown)
- A611408F Satin Stainless Finish

LEAD-FREE STAINLESS STEEL PUSHBUTTON

- A611108Q-G Gray Finish
- A611408Q Satin Stainless Finish

LEAD-FREE STAINLESS STEEL BUBBLER

- A611108S-G Gray Finish
- A611408S Satin Stainless Finish

OPTIONS

(additional costs may be incurred)

- EB4 Enclosed Back
- FPO Foot Pedal
- GF1 Glass Filler
- HGF Hot Water Glass Filler
- 220V 220 volt / 50 Hz compressor



Recyclable Product



Water Conserving Product

Product Warranty

WARNING: Cancer and Reproductive Harm - www.P65Warnings.ca.gov

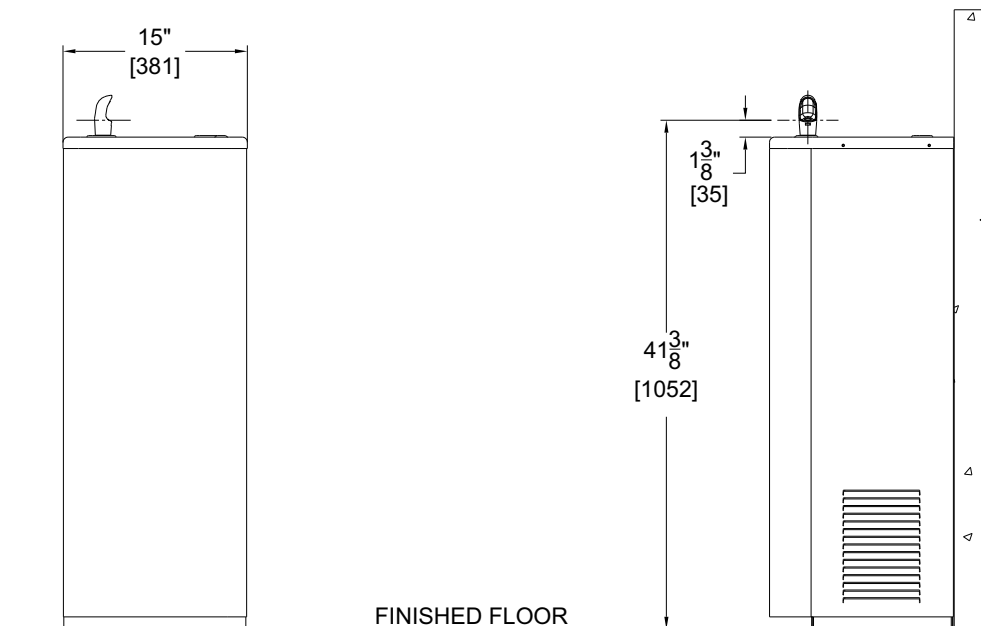
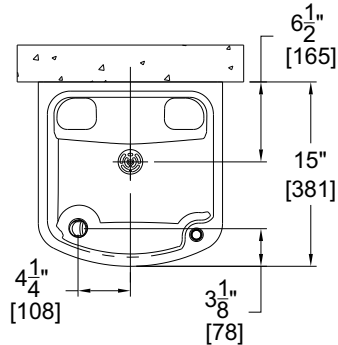
MURDOCK MFG. • 15125 Proctor Avenue • City of Industry, CA 91746 USA
Phone 800-453-7465 or 626-333-2543 • www.murdockmfg.com

Member of
MORRIS GROUP
INTERNATIONAL

A611.8 Series

MODEL A611108F-G

**FREE STANDING
WATER COOLER**



FINISHED FLOOR

GENERAL NOTES:

1. ALL DIMENSIONS ARE IN INCHES [MM]
2. ALLOW 4 INCHES [102 MM] MINIMUM CLEARANCE PER LEFT AND RIGHT SIDE FOR VENTILATION
3. STOP VALVE, P-TRAP, & ELECTRICAL OUTLET NOT SUPPLIED.

**SELECTION SUMMARY
& APPROVAL FOR
MANUFACTURING**

Model Number & Options _____	Quantity _____
Company _____	
Contact _____	Title _____
Signature (Approval for Manufacturing) _____	Date _____

All dimensions are subject to manufactures tolerance of plus or minus 1/4" nominal and subject to change without notice. Murdock[®] assumes no responsibility for use of void or superseded data. Dimensions may change with the addition of optional accessories. Murdock[®] Mfg., Member of Morris Group International[®]. Please visit www.murdockmfg.com for most current specifications.