

## A480CUP Series

### MODEL A4804000-CUSP

FULLY RECESSED,  
WALL MOUNTED CUSPIDOR

#### STANDARD FEATURES

- 18 gage, 304 stainless steel cabinet
- 16 gage, galvanized mounting frame
- Polished chrome plated brass, washdown outlet
- 100 mesh inlet strainer
- Vandal resistant screws

#### SUGGESTED SPECIFICATIONS

Model A4804000-CUSP is a fully recessed, wall mounted, vandal resistant cuspidor made from 18 gage, 304 stainless steel with a brushed finish. Unit shall be activated by a surface mounted, chrome plated brass front pushbutton using less than 5 pounds of force. Washdown outlet shall be chrome plated brass and operates on a water pressure range of 20-105 psig. Unit shall be certified to Public Law 111-380 (NO-LEAD) and NSF/ANSI/CAN 61. Optional WF3000 PFAS Water Filter shall have 3000 gallon capacity with 3rd Party Certification for Lead, Bacteria, Chlorine, Microplastics, and NSF/ANSI for Cyst and total PFAS reduction.

**\* NOTE: For Optional -WF1 And -WF3000:**  
Installer Responsible for Remotely Locating Water Filter.



“INDOOR USE ONLY”

#### MODEL:

(Must Specify)

- A4804000-CUSP      Satin Stainless Finish

#### OPTIONS

(additional costs may be incurred)

- HP      High Polish

#### ACCESSORIES

(additional costs may be incurred)

- WF3000      3000 gallon PFAS Water Filter (**See Note \***)<sup>1</sup>  
NSF/ANSI, PFAS, Lead, Bacteria, Chlorine, Microplastics
- A9100080-A 8 GPH Remote Water Chiller  
(Recommended to be with 10 Feet of Fixture)

#### NOTES:

1- Refer to Supplemental Submittal Sheet for Complete Product details.

Complies  
with the  
following  
standards:



Federal  
Public Law  
111-380  
(No Lead)

NSF/ANSI/CAN 61-2020

[3000 Gallon PFAS Filter Certifications](#)

[Product Warranty](#)

**⚠ WARNING: Cancer and Reproductive Harm - [www.P65Warnings.ca.gov](http://www.P65Warnings.ca.gov)**

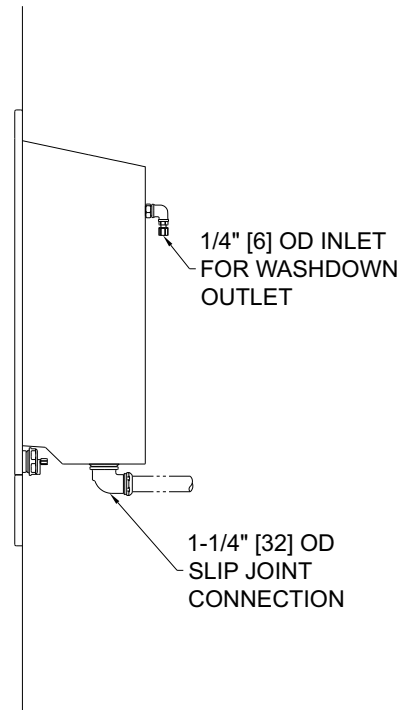
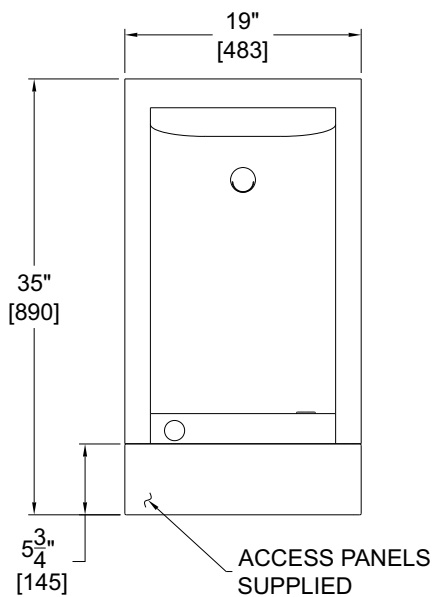
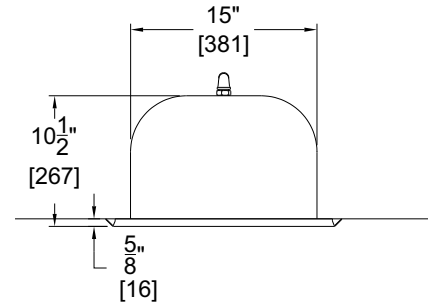
**MURDOCK® MFG.** • 15125 Proctor Avenue • City of Industry, CA 91746 USA  
Phone 800-453-7465 • [www.murdockmfg.com](http://www.murdockmfg.com)

Member of  
**MORRIS GROUP**  
INTERNATIONAL

**A480CUP Series**

**MODEL A4804000-CUSP**

FULLY RECESSED,  
WALL MOUNTED CUSPIDOR



- GENERAL NOTES:**  
 1. ALL DIMENSIONS ARE IN INCHES [MM].  
 2. STOP VALVE NOT INCLUDED.

<b>SELECTION SUMMARY &amp; APPROVAL FOR MANUFACTURING</b>	Model Number & Options _____	Quantity _____	<i>All dimensions are subject to manufactures tolerance of plus or minus 1/4" nominal and subject to change without notice. Murdock<sup>®</sup> assumes no responsibility for use of void or superseded data. Dimensions may change with the addition of optional accessories. Murdock<sup>®</sup> Mfg., Member of Morris Group International<sup>®</sup>. Please visit <a href="http://www.murdockmfg.com">www.murdockmfg.com</a> for most current specifications.</i>
	Company _____		
	Contact _____	Title _____	
	Signature (Approval for Manufacturing) _____	Date _____	