

A172FGVR Series

BASE MODEL A172400S-FG-VR

BARRIER FREE, 14 GAGE STAINLESS STEEL,
ENHANCED VANDAL RESISTANCE, BI-LEVEL,
WALL MOUNTED DRINKING FOUNTAIN

STANDARD FEATURES

- Child or Adult ADA Compliant (when properly installed)
- 14 gage stainless steel apron, basin and front access panel
- Lead Free Stainless Steel, anti-rotation, non-squirt bubblers
- 100 mesh inlet strainer
- Vandal resistant screws
- Hanging bracket provided
- Auto-stop allows service of cartridge and strainer without shutting off water supply

SUGGESTED SPECIFICATIONS

Model A172400S-FG-VR is a self-contained, enhanced vandal resistant bi-level drinking fountain. Units shall be activated by flush mounted chrome plated brass pushbuttons using less than 5 pounds of force. Bubblers shall be lead-free stainless steel with an integrally designed non-squirt feature and operate on water pressure range of 20-105 psig. **Unit shall be constructed from 14 gage type 304 stainless steel** with integral drain. Unit shall be certified to Public Law 111-380 (NO-LEAD) and NSF/ANSI/CAN 61. Optional WF3000 PFAS Water Filter shall have 3000 gallon capacity with 3rd Party Certification for Lead, Bacteria, Chlorine, Microplastics, and NSF/ANSI for Cyst and total PFAS reduction. Fixture meets ADA, ADA Standing Person, and ADA Child requirements when mounted appropriately.



"RATED FOR INDOOR USE ONLY"

MODEL:

(Must Specify)

- A172400S-FG-VR Satin Stainless Finish

OPTIONS:

(Additional costs may apply.)

- LOGO Customer Specified Logo / Graphics
 - RBL Reverse bi-level

ACCESSORIES:

(Additional costs may apply. Accessory items are packaged separately.)

- CSC3 Concealed Support Carrier
 -WF3000 3000-Gallon PFAS Water Filter ¹
 NSF/ANSI, PFAS, Lead, Bacteria, Chlorine, Microplastics
 -SK9 Cane Detection Skirt for Upper Unit ¹
 (Skirt finish provided to match model selected)

NOTES:

1- Refer to Supplemental Submittal Sheet for Complete Product Details.

Complies with the following standards:



Federal Public Law 111-380 (No Lead)



NSF/ANSI/CAN 61

[3000 Gallon PFAS Filter Certifications](#)

[Product Warranty](#)

⚠ WARNING: Cancer and Reproductive Harm - www.P65Warnings.ca.gov

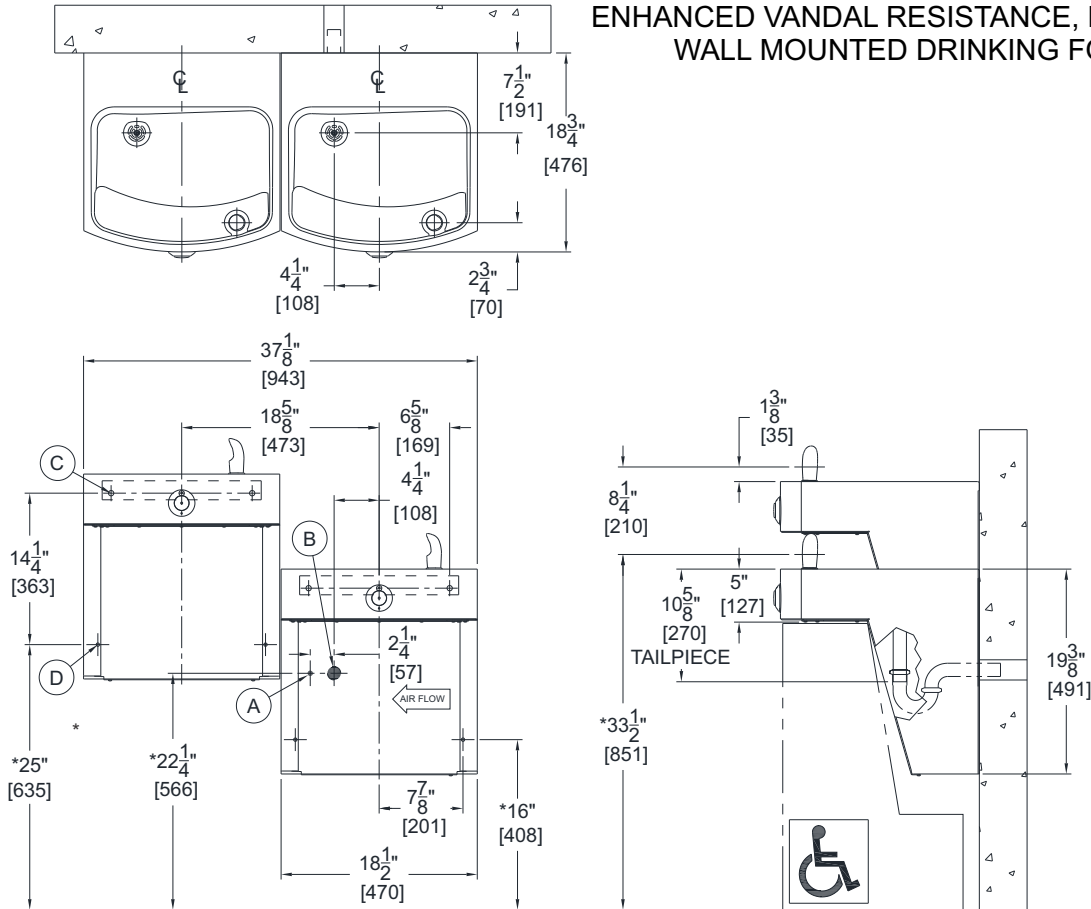
MURDOCK MFG. • 15125 Proctor Avenue • City of Industry, CA 91746 USA
Phone 800-453-7465 or 626-333-2543 • www.murdockmfg.com

Member of
MORRIS GROUP
INTERNATIONAL

A172FGVR Series

BASE MODEL A172400S-FG-VR

BARRIER FREE, 14 GAGE STAINLESS STEEL,
ENHANCED VANDAL RESISTANCE, BI-LEVEL
WALL MOUNTED DRINKING FOUNTAIN



GENERAL NOTES:

1. ALL DIMENSIONS ARE IN INCHES [MM]
2. ALLOW 4 INCHES [102 MM] MINIMUM CLEARANCE PER SIDE FOR VENTILATION
- *3. DIMENSIONS SHOWN ARE FOR RECOMMENDED ADULT HEIGHT. ADJUST VERTICAL DIMENSIONS AS NECESSARY TO COMPLY WITH FEDERAL, STATE, & LOCAL CODES
4. STOP VALVE, P-TRAP, & ELECTRICAL OUTLET NOT SUPPLIED
5. IMPORTANT: UNITS MUST BE ATTACHED TO WALL WITH APPROPRIATE WALL ANCHOR SCREWS

- A. 3/8" NCT SUPPLY INLET
- B. WASTE OUTLET FOR 1-1/4" P-TRAP BY OTHERS
- C. Ø3/8" HANGER BRACKET PUNCHING, 3 PLACES FOR ANCHORING HARDWARE BY OTHERS
- D. Ø1/4" PUNCHING, 2 PLACES FOR ANCHORING HARDWARE BY OTHERS

IMPORTANT: Dimensions are shown for reference only. Refer to product Installation Manual for complete details prior to Rough-in.

SELECTION SUMMARY & APPROVAL FOR MANUFACTURING

| | |
|--|----------------|
| Model Number & Options _____ | Quantity _____ |
| Company _____ | |
| Contact _____ | Title _____ |
| Signature (Approval for Manufacturing) _____ | Date _____ |

All dimensions are subject to manufactures tolerance of plus or minus 1/4" nominal and subject to change without notice. Murdock[®] assumes no responsibility for use of void or superseded data. Dimensions may change with the addition of optional accessories. Murdock[®] Mfg., Member of Morris Group International[®]. Please visit www.murdockmfg.com for most current specifications.