

A171FGVR Series

BASE MODEL A171400S-FG-VR

BARRIER FREE, 14 GAGE STAINLESS STEEL,
ENHANCED VANDAL RESISTANCE,
WALL MOUNTED DRINKING FOUNTAIN

STANDARD FEATURES

- 14 gage stainless steel apron, basin and front access panel
- Stainless Steel, anti-rotation, non-squirt bubbler
- 100 mesh inlet strainer
- Vandal resistant screws and screened louvers
- Hanging bracket provided
- Auto-stop allows service of cartridge and strainer without shutting off water supply
- Child or Adult ADA Compliant (when properly installed)

SUGGESTED SPECIFICATIONS

Model A171400S-FG-VR is a enhanced vandal resistant drinking fountain. Unit shall be activated by a flush mounted chrome plated brass pushbutton using less than 5 pounds of force. Bubbler shall be lead-free stainless steel with an integrally designed non-squirt feature and operate on water pressure range of 20-105 psig. **Unit shall be constructed from 14 gage type 304 stainless steel** with integral drain and includes protective stainless steel screens behind exposed louver openings. Fountain is certified to Public Law 111-380 (NO-LEAD), and NSF/ANSI/CAN 61. Optional WF3000 PFAS Water Filter shall have 3000 gallon capacity with 3rd Party Certification for Lead, Bacteria, Chlorine, Microplastics, and NSF/ANSI for Cyst and total PFAS reduction. Fixture meets ADA, ADA Standing Person, and ADA Child requirements when mounted appropriately.



Model A171FGVR Shown
PATENT# 10,100,933



“RATED FOR INDOOR USE ONLY”

MODEL:

(Must Specify)

- A171400S-FG-VR Satin Stainless Finish

OPTIONS:

(Additional costs may apply.)

- LOGO Customer Specified Logo / Graphics

ACCESSORIES:

(Additional costs may apply. Accessory items are packaged separately.)

- CSC2 Concealed Support Carrier
- WF3000 3000-Gallon PFAS Water Filter¹
NSF/ANSI, PFAS, Lead, Bacteria, Chlorine, Microplastics

NOTES:

- 1- Refer to Supplemental Submittal Sheet for Complete Product Details

Complies with the following standards:



Federal Public Law 111-380 (No Lead)

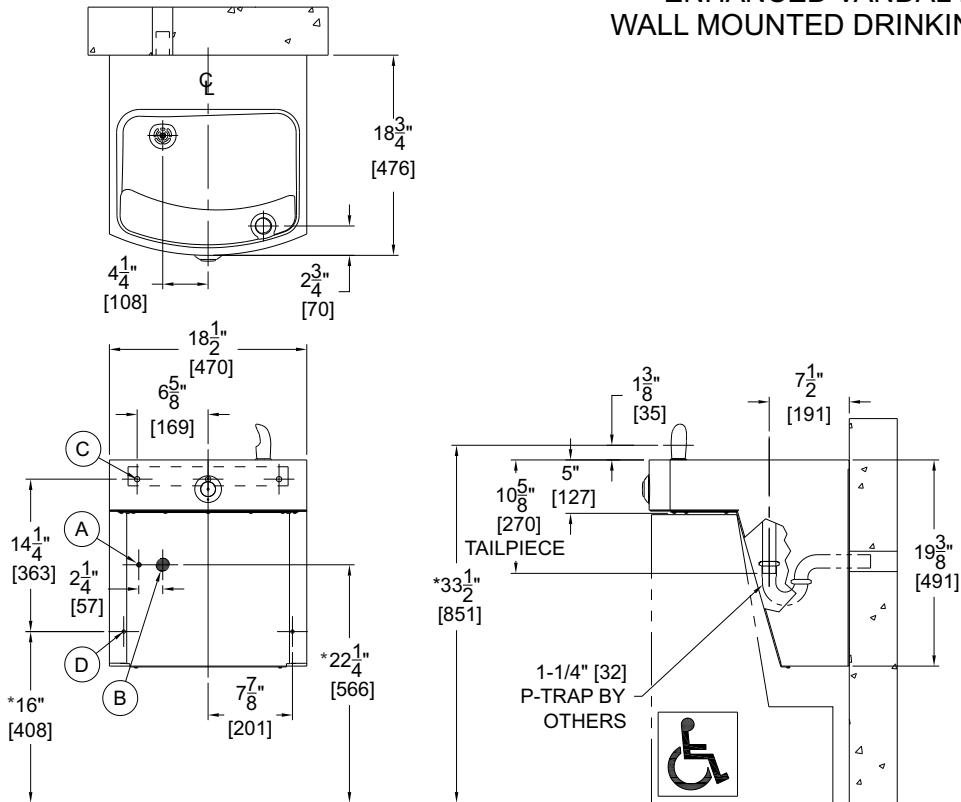
NSF/ANSI/CAN 61

[3000 Gallon PFAS Filter Certifications](#)

[Product Warranty](#)

⚠ WARNING: Cancer and Reproductive Harm - www.P65Warnings.ca.gov

A171FGVR Series
BASE MODEL A171400S-FG-VR
BARRIER FREE, 14 GAGE STAINLESS STEEL,
ENHANCED VANDAL RESISTANCE,
WALL MOUNTED DRINKING FOUNTAIN



GENERAL NOTES:

1. ALL DIMENSIONS ARE IN INCHES [MM]
2. ALLOW 4 INCHES [102 MM] MINIMUM CLEARANCE PER SIDE FOR VENTILATION
- *3. DIMENSIONS SHOWN ARE FOR RECOMMENDED ADULT HEIGHT. ADJUST VERTICAL DIMENSIONS AS NECESSARY TO COMPLY WITH FEDERAL, STATE, & LOCAL CODES
4. STOP VALVE AND P-TRAP ARE NOT SUPPLIED
5. IMPORTANT: UNITS MUST BE ATTACHED TO WALL WITH APPROPRIATE WALL ANCHOR SCREWS

- A. 3/8" NCT SUPPLY INLET
- B. WASTE OUTLET FOR 1-1/4" P-TRAP BY OTHERS
- C. Ø3/8" HANGER BRACKET PUNCHING, 3 PLACES FOR ANCHORING HARDWARE BY OTHERS
- D. Ø1/4" PUNCHING, 2 PLACES FOR ANCHORING HARDWARE BY OTHERS

IMPORTANT: Dimensions are shown for reference only. Refer to product Installation Manual for complete details prior to Rough-in.

SELECTION SUMMARY & APPROVAL FOR MANUFACTURING

Model Number & Options _____	Quantity _____
Company _____	
Contact _____	Title _____
Signature (Approval for Manufacturing) _____	Date _____

All dimensions are subject to manufactures tolerance of plus or minus 1/4" nominal and subject to change without notice. Murdock[®] assumes no responsibility for use of void or superseded data. Dimensions may change with the addition of optional accessories. Murdock[®] Mfg., Member of Morris Group International[®]. Please visit www.murdockmfg.com for most current specifications.