

A171.8FGVR Series

BASE MODEL A171408S-FG-VR

BARRIER FREE, 14 GAGE STAINLESS STEEL, ENHANCED VANDAL RESISTANCE, WALL MOUNTED WATER COOLER

STANDARD FEATURES

- Rough-Ins Match Other Manufacturer's for Easy Replacement
- Lead-Free
- Child or Adult ADA Compliant (when properly installed)
- 14 gage 304 Stainless Steel Apron, Basin and Access Panels
- Polished Stainless Steel, Anti-Rotation, Non-Squirt Bubbler
- 100-Mesh Inlet Strainer
- Vandal Resistant Screws and Screened Louvers
- Hanging Bracket provided
- Auto-Stop allows service of Cartridge and Strainer without shutting off water supply

SUGGESTED SPECIFICATIONS

Model A171408S-FG-VR is a self-contained, vandal resistant, pressure Water Cooler that shall deliver a minimum of **8.0 GPH** (30.3 LPH) of water at 50°F (10°C) cooled from 80°F (26.7°C) inlet water and 90°F (32.2°C) ambient. Unit shall be activated by Chrome Plated Brass Pushbutton using less than 5 pounds of force. Bubbler shall be Lead-Free Stainless Steel with an integrally designed non-squirt feature and operate on a pressure range of 20-105 PSIG. Unit shall be constructed from 14 gage, 304 Stainless Steel with an Integral Drain and the Louvers shall have a Stainless Steel protective screen. Cooling system shall use R-134a refrigerant and be Capillary Tube controlled. Unit shall be listed by Underwriters Laboratories for both the US and Canada and is to be compliant to ANSI/ASHRAE 18. Unit shall be certified to Public Law 111-380 (NO-LEAD) and NSF/ANSI/CAN 61. Fixture meets ADA, ADA Standing Person, and ADA Child requirements when mounted appropriately. Unit shall be listed by Underwriters Laboratories for both the US and Canada, compliant to the Air Conditioning and Refrigeration Institute Standard 1010.

Model Number	GPH*	Rated Watts	Full Load Amps	Approx. Shipping Weight
A171408S-FG-VR	8.0	335	4.1	85 lbs.

* GPH of 50°F water at 90°F ambient room temperature and 80°F inlet water temperature
Compressor motor operates on 115 Volt / 60 Hz single phase.

Complies with the following standards:



NSF/ANSI/CAN 61



ANSI/ASHRAE 18



(220V Compressor Only)



Model A171408S-FG-VR Shown
PATENT# 10,100,933



Maintenance Advantage[®]
Water Cooler by Murdock Manufacturing

"RATED FOR INDOOR USE ONLY"

MODEL:

(Must Specify)

- A171408S-FG-VR Satin Stainless Finish

OPTIONS:

(Additional costs may apply.)

- LOGO Customer Specified Logo / Graphics
 -220V 220 Volt / 50 Hz or 60Hz Compressor

ACCESSORIES:

(Additional costs may apply. Accessory items are packaged separately.)

- CSC2 Concealed Support Carrier
 -WF3000 3000-Gallon PFAS Water Filter¹
NSF/ANSI, PFAS, Lead, Bacteria, Chlorine, Microplastics

NOTES:

1- Refer to Supplemental Submittal Sheet for Complete Product Details.

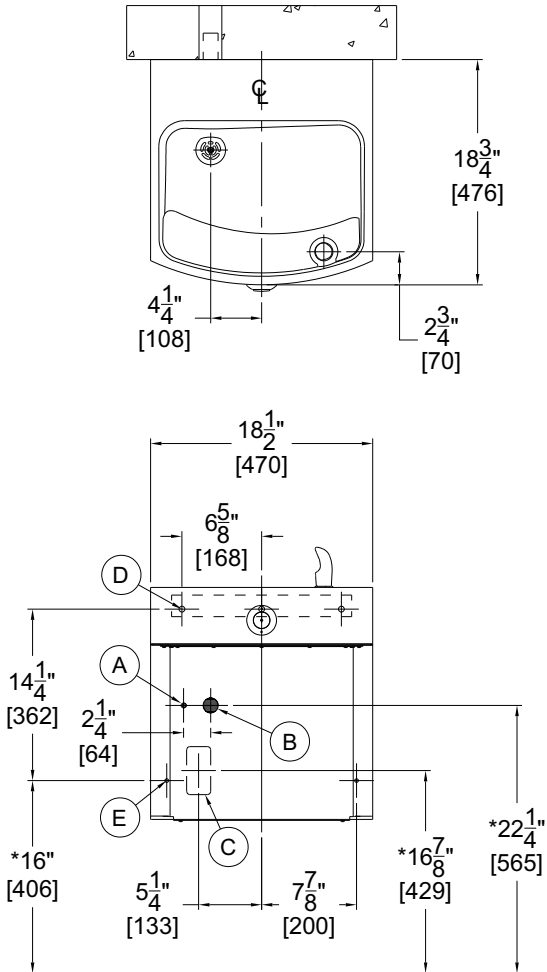
3000 Gallon PFAS Filter Certifications

Product Warranty

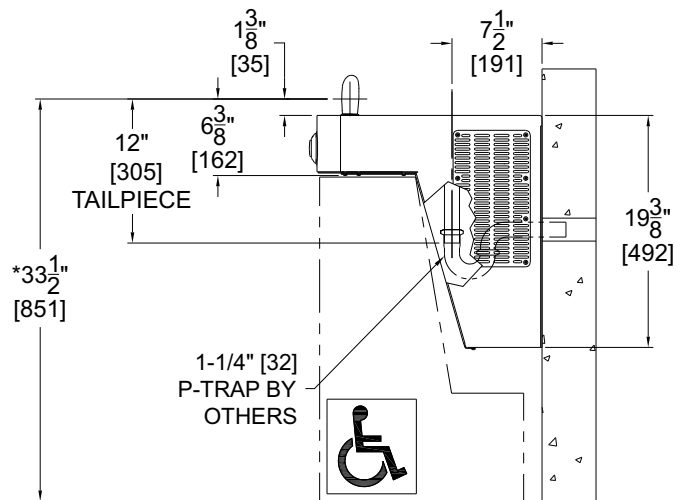
WARNING: Cancer and Reproductive Harm - www.P65Warnings.ca.gov

A171.8-FG-VR Series

BASE MODEL A171408S-FG-VR
BARRIER FREE, 14 GAGE STAINLESS STEEL,
ENHANCED VANDAL RESISTANCE,
WALL MOUNTED WATER COOLER



- A. 3/8" NCT SUPPLY INLET
- B. WASTE OUTLET FOR 1-1/4" P-TRAP BY OTHERS.
- C. ELECTRICAL SERVICE ROUGH.
- D. Ø3/8" HANGER BRACKET PUNCHING, 3 PLACES FOR ANCHORING HARDWARE BY OTHERS.
- E. Ø1/4" PUNCHING, 2 PLACES FOR ANCHORING HARDWARE BY OTHERS.



GENERAL NOTES:

1. ALL DIMENSIONS ARE IN INCHES [MM]
2. ALLOW 4 INCHES [102 MM] MINIMUM CLEARANCE PER SIDE FOR VENTILATION
3. DIMENSIONS SHOWN ARE FOR ADA ADULT HEIGHT. ADJUST VERTICAL DIMENSIONS AS NECESSARY TO COMPLY WITH FEDERAL, STATE, & LOCAL CODES
4. STOP VALVE, P-TRAP, & ELECTRICAL OUTLET NOT SUPPLIED
5. IMPORTANT: COOLERS MUST BE ATTACHED TO WALL WITH APPROPRIATE ANCHOR SCREWS

IMPORTANT: Dimensions are shown for reference only. Refer to product Installation Manual for complete details prior to Rough-in.

SELECTION SUMMARY & APPROVAL FOR MANUFACTURING

Model Number & Options _____ Quantity _____

Company _____

Contact _____ Title _____

Signature (Approval for Manufacturing) _____ Date _____

All dimensions are subject to manufactures tolerance of plus or minus 1/4" nominal and subject to change without notice. Murdock[®] assumes no responsibility for use of void or superseded data. Dimensions may change with the addition of optional accessories. Murdock[®] Mfg., Member of Morris Group International[®]. Please visit www.murdockmfg.com for most current specifications.