

A152FG-BF4 Series

MODEL A152400S-FG-BF4

BARRIER FREE, 14 GAUGE BI-LEVEL, WALL MOUNTED DRINKING FOUNTAIN WITH SEMI-RECESSED SENSOR OPERATED BOTTLE FILLER AND 32" TRIM PANEL

STANDARD FEATURES

- Both Child or Adult ADA Compliant (When Properly Installed)
- 14 Gauge, 304 Stainless Steel
- Polished Lead-free Stainless Steel, Anti-Rotation, Non-Squirt Bubbler Or Flexible Low Flow Bubbler
- 100-Mesh Inlet Strainer
- Mounting Frame (A0000000-MF16)
- 32" Wide Trim Panel
- 1.0 GPM Fill Rate (Bottle Filler)
- Laminar Flow Water Supply (Bottle Filler)
- 115v Plug-in Transformer (Bottle Filler)

SUGGESTED SPECIFICATIONS

Model A152400S-FG-BF4 is a wall mounted drinking fountain and bottle filler combination made from **14 gauge, 304 stainless steel** with a brushed finish. Fountain shall be activated by self-closing, frontal push pads, by using less than 5 pounds of force, which activates internally mounted valves with adjustable stream regulators controlling the water flow. Bottle filler activates using an infrared sensor. Bubblers shall be polished stainless steel with non-squirt feature and operates on a water pressure range of 20-105 PSIG. Fountain shall be **14 gauge** seam welded construction with a P-Trap integral to the unit. Unit shall be certified to Public Law 111-380 (NO-LEAD) and NSF/ANSI/CAN 61. Fixture meets ADA, ADA Standing Person, and ADA Child requirements when mounted appropriately. Optional WF3000 PFAS Water Filter shall have 3000 gallon capacity with 3rd Party Certification for Lead, Bacteria, Chlorine, Microplastics, and NSF/ANSI for Cyst and total PFAS reduction.

NOTE:

1 - Refer to Supplemental Submittal Sheets for Details



Model A152400S-FG-BF4-BCD Shown

"INDOOR USE ONLY"

MODEL:

(Must Specify)

FLEXIBLE BUBBLER (LOW FLOW)

- A152400F-FG-BF4 Satin Stainless Finish

LEAD-FREE STAINLESS STEEL BUBBLER

- A152400S-FG-BF4 Satin Stainless Finish (Shown)

OPTIONS

(additional costs may be incurred)

- HP High Polished Stainless Steel
- RBL Reverse Bi-Level (Bottle Filler Opposite)
(Mounting Frame (A0000000-MF17))

ACCESSORIES

(additional costs may be incurred)

- SK2-18 Skirt Kit, Stainless Steel, for upper unit¹
- WF3000 3000-gallon PFAS Water Filter
NSF/ANSI, PFAS, Lead, Bacteria, Chlorine, Microplastics
- A9100080-A 8 GPH Remote Water Chiller
(Recommended to be with 10 Feet of Fixture)

Complies with the following standards:



Federal Public Law 111-380 (No Lead)

NSF/ANSI/CAN 61-2020

[3000 Gallon PFAS Filter Certifications](#)

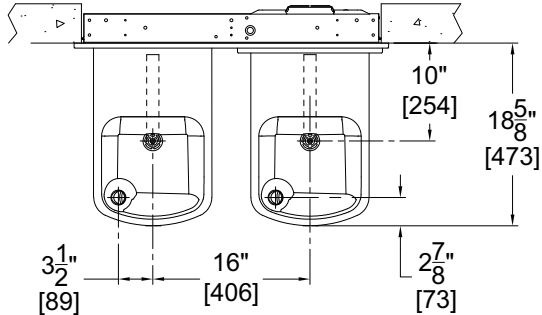
[Product Warranty](#)

⚠ WARNING: Cancer and Reproductive Harm - www.P65Warnings.ca.gov

A152FG-BF4 Series

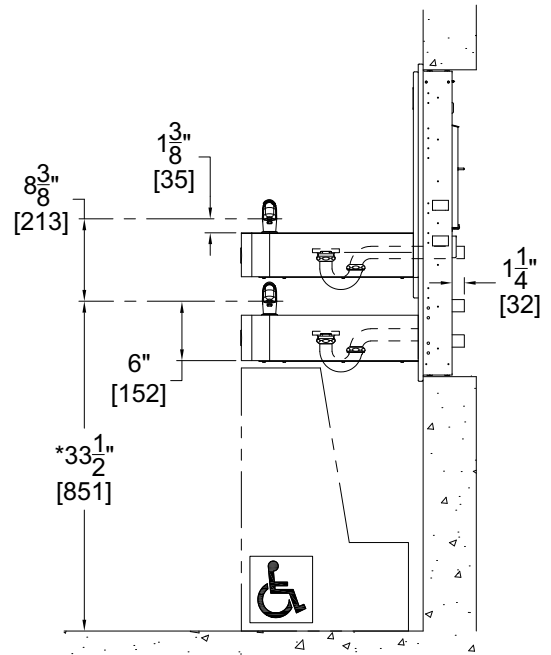
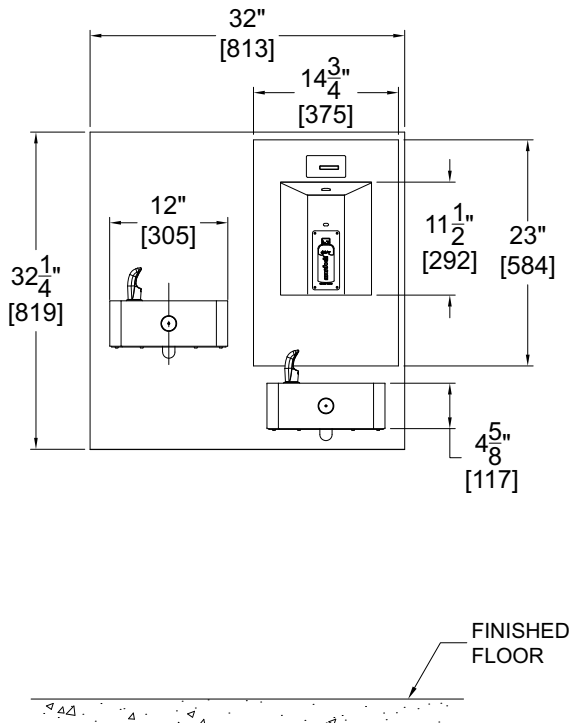
MODEL A152400S-FG-BF4-BCD

BARRIER FREE, 14 GAUGE BI-LEVEL, WALL MOUNTED DRINKING FOUNTAIN WITH SEMI-RECESSED SENSOR OPERATED BOTTLE FILLER AND 32" TRIM PANEL



GENERAL NOTES:

1. ALL DIMENSIONS ARE IN INCHES [MM]
- *2. DIMENSIONS SHOWN ARE FOR RECOMMENDED ADULT HEIGHT. ADJUST VERTICAL DIMENSIONS AS NECESSARY TO COMPLY WITH FEDERAL, STATE, & LOCAL CODES



**SELECTION SUMMARY
& APPROVAL FOR
MANUFACTURING**

Model Number & Options _____ Quantity _____

Company _____

Contact _____ Title _____

Signature _____ Date _____
(Approval for Manufacturing)

All dimensions are subject to manufactures tolerance of plus or minus 1/4" nominal and subject to change without notice. Murdock[®] assumes no responsibility for use of void or superseded data. Dimensions may change with the addition of optional accessories. Murdock[®] Mfg., Member of Morris Group International[®]. Please visit www.murdockmfg.com for most current specifications.