

A152.8-VR-BF4 Series

BARRIER FREE, VANDAL RESISTANT, BI-LEVEL, WALL MOUNTED WATER COOLER WITH SEMI-RECESSED SENSOR OPERATED BOTTLE FILLER AND 32" TRIM PANEL

STANDARD FEATURES

- Both Child or Adult ADA Compliant (When Properly Installed)
- 18 Gauge, 304 Stainless Steel Basin and Flush Mounted Chrome Plated Brass Button
- Polished Lead-Free Stainless Steel, anti-rotation non-squirt Bubbler or Flexible Low Flow Bubbler
- 100-Mesh Inlet Strainer
- Mounting Frame (A0000000-MF15)
- 32" Wide Trim Panel and Louvered Grille
- 1 G.P.M. Fill Rate (Bottle Filler)
- Laminar Flow Water Supply (Bottle Filler)
- 115v Plug-in Transformer (Bottle Filler)
- Auto-Stop Allows Cartridge and Strainer Service Without Shutting Off Water Supply

SUGGESTED SPECIFICATIONS

Model A152408S-VR-BF4 is a wall mounted, pressurized Bi-Level Vandal Resistant Water Cooler and Bottle Filler combination that shall deliver a minimum of **8.0 GPH** (30.3 LPH) of water at 50°F (10°C) cooled from 80°F (26.7°C) inlet water and 90°F (32.2°C) ambient. Unit shall be made from 18 gauge, 304 stainless steel with a brushed finish. Water Cooler shall be activated by Chrome Plated Brass Pushbutton using less than 5 pounds of force, which activates internally mounted valves with adjustable stream regulators controlling the water flow. Bottle Filler activates using an Infrared Sensor. Cooling system shall use R-134a refrigerant and be Capillary Tube regulated. An Adjustable Thermostat with an "off" position shall regulate the refrigeration system. Bubblers shall be polished stainless steel with non-squirt features and operate on a water pressure range of 20-105 PSIG. Unit shall have uniquely designed, two-piece contoured Bowls with P-Traps integral to the unit. Chiller shall be listed by Underwriters Laboratories for both the US and Canada and is compliant to the Air Conditioning and Refrigeration Institute Standard 1010. Water Cooler and Chiller are certified to Public Law 111-380 (NO-LEAD) and NSF/ANSI/CAN 61. Fixture meets ADA, ADA Standing Person, and ADA Child requirements when mounted appropriately. Optional WF3000 PFAS Water Filter shall have 3000 gallon capacity with 3rd Party Certification for Lead, Bacteria, Chlorine, Microplastics, and NSF/ANSI for Cyst and total PFAS reduction.

| Model Number | GPH* | Rated Watts | Full Load Amps | Approx. Shipping Weight |
|-----------------|------|-------------|----------------|-------------------------|
| A152408S-VR-BF4 | 8.0 | 390 | 4.6 | 235 lbs. |

* GPH of 50°F water at 90°F ambient room temperature and 80°F inlet water temperature
Compressor motor operates on 115 Volt / 60 Hz single phase.

Complies with the following standards:



NSF/ANSI/CAN 61-2020

ANSI/ASHRAE 18



Model A152408S-VR-BF4 Shown

MODEL:

(Must Specify)

"INDOOR USE ONLY"

FLEXIBLE BUBBLER (LOW FLOW)

- A152208F-VR-BF4 Bronze Finish
- A152308F-VR-BF4 Gold Finish (High Polish)
- A152408F-VR-BF4 Satin stainless Finish

LEAD-FREE STAINLESS STEEL BUBBLER

- A152208S-VR-BF4 Bronze Finish
- A152308S-VR-BF4 Gold Finish (High Polish)
- A152408S-VR-BF4 Satin stainless Finish (Shown)

OPTIONS

(additional costs may be incurred)

- BCD Bottle Counter Display (Bottle Filler)
- HP High Polished Stainless Steel
- RBL Reverse bi-level (Bottle Filler Opposite) (Mounting Frame A0000000-MF14)
- 220V 220 volt / 50 Hz Compressor (€€)

ACCESSORIES

(additional costs may be incurred)

- SK3-18 Skirt Kit, Stainless Steel, For Upper Unit¹
- WF3000 3000-gallon PFAS Water Filter¹
NSF/ANSI, PFAS, Lead, Bacteria, Chlorine, Microplastics

NOTE:

1 - Refer to Supplemental Submittal Sheets for Details

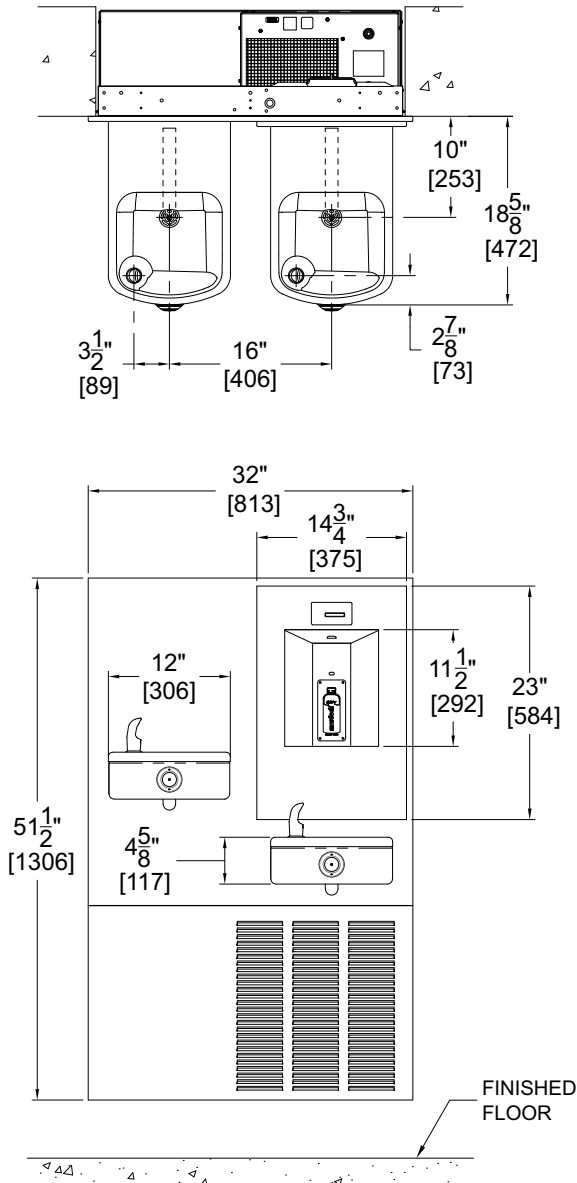
[3000 Gallon PFAS Filter Certifications](#)

[Product Warranty](#)

WARNING: Cancer and Reproductive Harm - www.P65Warnings.ca.gov

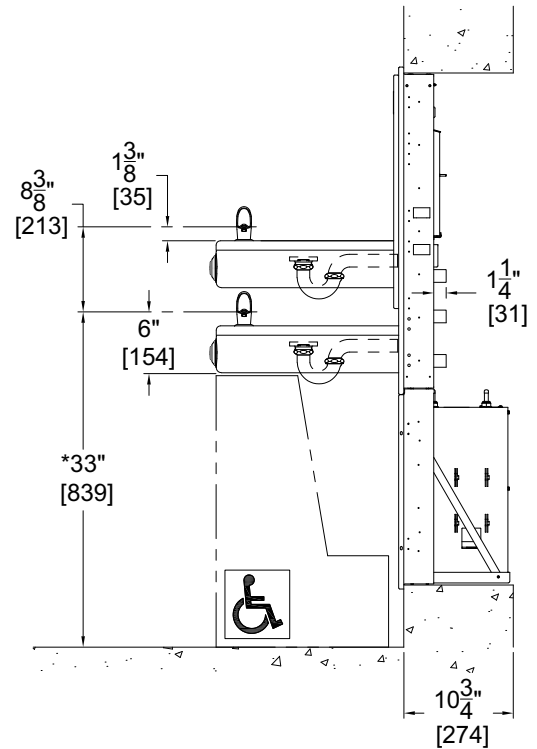
A152.8-VR-BF4 Series

BARRIER FREE, VANDAL-RESISTANT, BI-LEVEL,
WALL MOUNTED WATER COOLER WITH
SEMI-RECESSED SENSOR OPERATED
BOTTLE FILLER AND 32" TRIM PANEL



GENERAL NOTES:

1. ALL DIMENSIONS ARE IN INCHES [MM]
- *2. DIMENSIONS SHOWN ARE FOR RECOMMENDED ADULT HEIGHT. ADJUST VERTICAL DIMENSIONS AS NECESSARY TO COMPLY WITH FEDERAL, STATE, & LOCAL CODES



**SELECTION SUMMARY
& APPROVAL FOR
MANUFACTURING**

| | |
|--|----------------|
| Model Number & Options _____ | Quantity _____ |
| Company _____ | |
| Contact _____ | Title _____ |
| Signature (Approval for Manufacturing) _____ | Date _____ |

All dimensions are subject to manufactures tolerance of plus or minus 1/4" nominal and subject to change without notice. Murdock[®] assumes no responsibility for use of void or superseded data. Dimensions may change with the addition of optional accessories. Murdock[®] Mfg., Member of Morris Group International[®]. Please visit www.murdockmfg.com for most current specifications.