

A152-VR Series MODEL A152400S-VR

BARRIER FREE, VANDAL RESISTANT,
BI-LEVEL, WALL MOUNTED DRINKING
FOUNTAIN WITH 32" TRIM PANEL

STANDARD FEATURES

- Child or Adult ADA Compliant (When Properly Installed)
- 18 Gauge, 304 Stainless Steel Basin And Chrome Plated Brass Button
- Polished Stainless Steel, Anti-Rotation, Non-Squirt Bubbler
- 100-Mesh Inlet Strainer
- Vandal Resistant Screws
- P-Traps
- Mounting Plate With Hardware (A0000000-MP2-W32)
- 32" Trim Panel
- Auto-Stop Allows Cartridge and Strainer Service Without Shutting Off Water Supply

SUGGESTED SPECIFICATIONS

Model A152400S-VR is a Vandal Resistant wall mounted, Bi-Level Drinking Fountain made from 18 gauge, 304 stainless steel with a brushed finish. Unit shall be activated by chrome plated brass Pushbutton using less than 5 pounds of force. Bubblers shall be polished stainless steel with non-squirt features and operate on a water pressure range of 20-105 PSIG. Unit shall have uniquely designed, two-piece contoured Bowls with P-Traps integral to the unit. Unit shall be certified to Public Law 111-380 (NO-LEAD) and NSF/ANSI/CAN 61. Fixture meets ADA, ADA Standing Person, and ADA Child requirements when mounted appropriately. Optional WF3000 PFAS Water Filter shall have 3000 gallon capacity with 3rd Party Certification for Lead, Bacteria, Chlorine, Microplastics, and NSF/ANSI for Cyst and total PFAS reduction.

*** NOTE: For Optional -WF1 And -WF3000:**
Installer Responsible for Remotely Locating Water Filter.
1 - Refer to Supplemental Submittal Sheets for Details

Compatible Mounting Support Carrier
Jay R. Smith Mfg. Co. Figure # 0823 <https://www.JRSmith.com>

Complies
with the
following
standards:



Federal
Public Law
111-380
(No Lead)

NSF/ANSI/CAN 61-2020



Model A152400S-VR Shown

"RATED FOR INDOOR AND OUTDOOR USE"

MODEL:

(Must Specify)

FLEXIBLE BUBBLER (LOW FLOW)

- A152200F-VR Bronze Finish
- A152300F-VR Gold Finish (High Polish)
- A152400F-VR Satin stainless Finish

LEAD-FREE STAINLESS STEEL BUBBLER

- A152200S-VR Bronze Finish
- A152300S-VR Gold Finish (High Polish)
- A152400S-VR Satin stainless Finish (Shown)

OPTIONS

(additional costs may be incurred)

- HP High Polished Stainless Steel
- RBL Reverse Bi-Level

ACCESSORIES

(additional costs may be incurred)

- SK3-18 Skirt Kit, Stainless Steel, for upper unit¹
- WF3000 3000-gallon PFAS Water Filter (**See Note***)¹
NSF/ANSI, PFAS, Lead, Bacteria, Chlorine, Microplastics
- A9100080-A 8 GPH Remote Water Chiller
(Recommended to be with 10 Feet of Fixture)

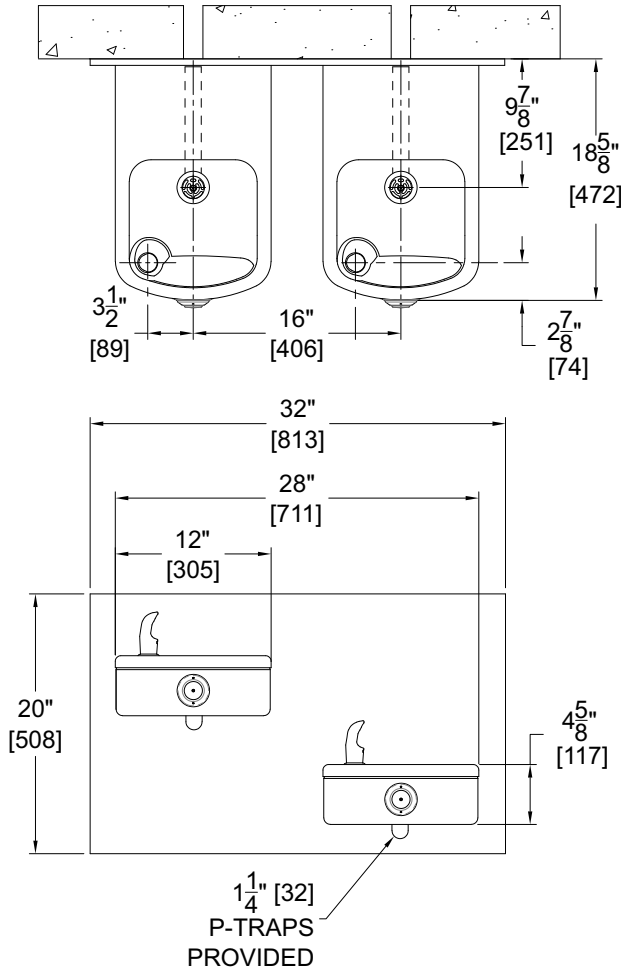
3000 Gallon PFAS Filter Certifications

Product Warranty

WARNING: Cancer and Reproductive Harm - www.P65Warnings.ca.gov

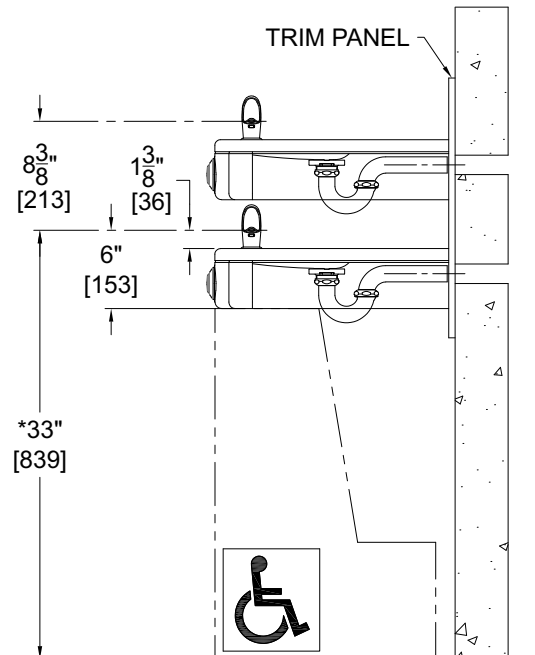
A152-VR Series

BARRIER FREE, VANDAL RESISTANT, BI-LEVEL, WALL MOUNTED DRINKING FOUNTAIN WITH 32" TRIM PANEL



GENERAL NOTES:

1. ALL DIMENSIONS ARE IN INCHES [MM].
- *2. DIMENSIONS SHOWN ARE FOR RECOMMENDED ADULT HEIGHT, ADJUST VERTICAL DIMENSIONS AS NECESSARY TO COMPLY WITH FEDERAL STATE AND LOCAL CODES.
3. STOP VALVE NOT PROVIDED.



SELECTION SUMMARY & APPROVAL FOR MANUFACTURING

Model Number & Options _____ Quantity _____

Company _____

Contact _____ Title _____

Signature (Approval for Manufacturing) _____ Date _____

All dimensions are subject to manufactures tolerance of plus or minus 1/4" nominal and subject to change without notice. Murdock[®] assumes no responsibility for use of void or superseded data. Dimensions may change with the addition of optional accessories. Murdock[®] Mfg., Member of Morris Group International[®]. Please visit www.murdockmfg.com for most current specifications.