

A152-VR-BF4 Series MODEL A152400S-VR-BF4

BARRIER FREE, VANDAL-RESISTANT, BI-LEVEL, WALL MOUNTED DRINKING FOUNTAIN WITH SEMI-RECESSED SENSOR OPERATED BOTTLE FILLER AND 32" TRIM PANEL

STANDARD FEATURES

- Both Child or Adult ADA Compliant (When Properly Installed)
- 18 Gauge, 304 Stainless Steel Basin And Chrome Plated Brass Button
- Polished Lead-Free Stainless Steel, Anti-Rotation Non-Squirt Bubbler or Flexible Low Flow Bubbler
- 100-Mesh Inlet Strainer
- Mounting Frame (A0000000-MF16)
- 32" Wide Trim Panel
- 1.0 GPM Fill Rate (Bottle Filler)
- Laminar Flow Water Supply (Bottle Filler)
- 115v Plug-in Transformer (Bottle Filler)
- Auto-Stop Allows Cartridge and Strainer Service Without Shutting Off Water Supply

SUGGESTED SPECIFICATIONS

Model A152400S-VR-BF4 is a wall mounted, Vandal Resistant Drinking Fountain and Bottle Filler combination made from 18 gauge, 304 stainless steel with a brushed finish. Fountain shall be activated by Chrome Plated Brass Pushbutton using less than 5 pounds of force, which activates internally mounted valves with adjustable stream regulators controlling the water flow. Bottle Filler activates using an Infrared Sensor. Bubblers shall be polished stainless steel with non-squirt feature and operates on a water pressure range of 20-105 PSIG. Unit shall have uniquely designed, two-piece contoured bowls with a P-trap integral to the unit. Fountain is certified to ANSI A117.1, NSF/ANSI/CAN 61-2020, Section 9, Public Law 111-380 (NO-LEAD). Fixture meets ADA, ADA Standing Person, and ADA Child requirements when mounted appropriately. Optional WF3000 PFAS Water Filter shall have 3000 gallon capacity with 3rd Party Certification for Lead, Bacteria, Chlorine, Microplastics, and NSF/ANSI for Cyst and total PFAS reduction.

NOTE:

1 - Refer to Supplemental Submittal Sheets for Details



Model A152400S-VR-BF4-BCD Shown

"INDOOR USE ONLY"

MODEL:

(Must Specify)

FLEXIBLE BUBBLER (LOW FLOW)

- A152200F-VR-BF4 Bronze Finish
- A152300F-VR-BF4 Gold Finish (High Polish)
- A152400F-VR-BF4 Satin stainless Finish

LEAD-FREE STAINLESS STEEL BUBBLER

- A152200S-VR-BF4 Bronze Finish
- A152300S-VR-BF4 Gold Finish (High Polish)
- A152400S-VR-BF4 Satin stainless Finish (Shown)

OPTIONS

(additional costs may be incurred)

- BCD Bottle Counter Display (Bottle Filler)
- HP High Polished Stainless Steel
- RBL Reverse Bi-Level (Bottle Filler Opposite) (Mounting Frame (A0000000-MF17))

ACCESSORIES

(additional costs may be incurred)

- SK3-18 Skirt Kit, Stainless Steel, for upper unit¹
- WF3000 3000-gallon PFS Water Filter¹
NSF/ANSI, PFAS, Lead, Bacteria, Chlorine, Microplastics
- A9100080-A 8 GPH Remote Water Chiller
(Recommended to be with 10 Feet of Fixture)

Complies with the following standards:



Federal Public Law 111-380 (No Lead)

NSF/ANSI/CAN 61-2020

[3000 Gallon PFAS Filter Certifications](#)

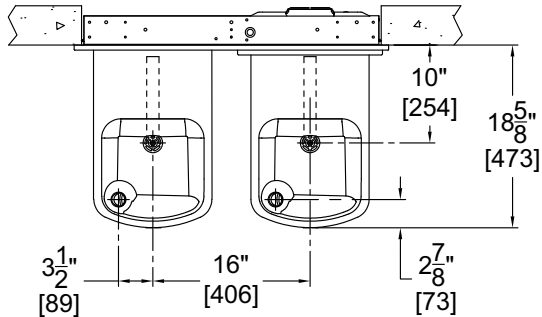
[Product Warranty](#)

WARNING: Cancer and Reproductive Harm - www.P65Warnings.ca.gov

A152-VR-BF4 Series

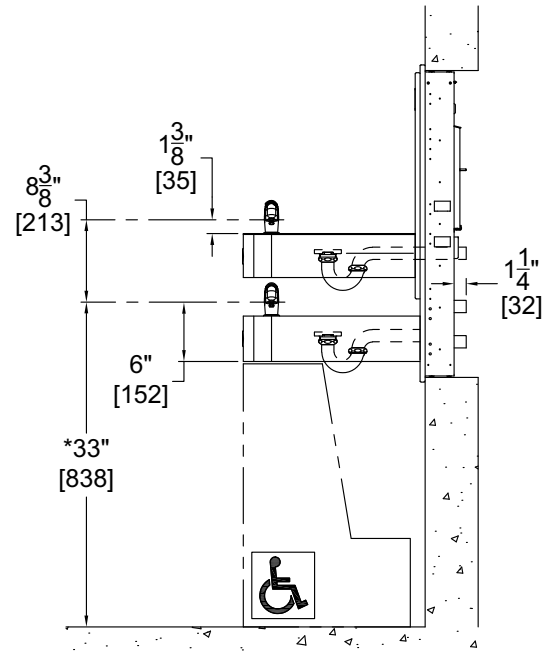
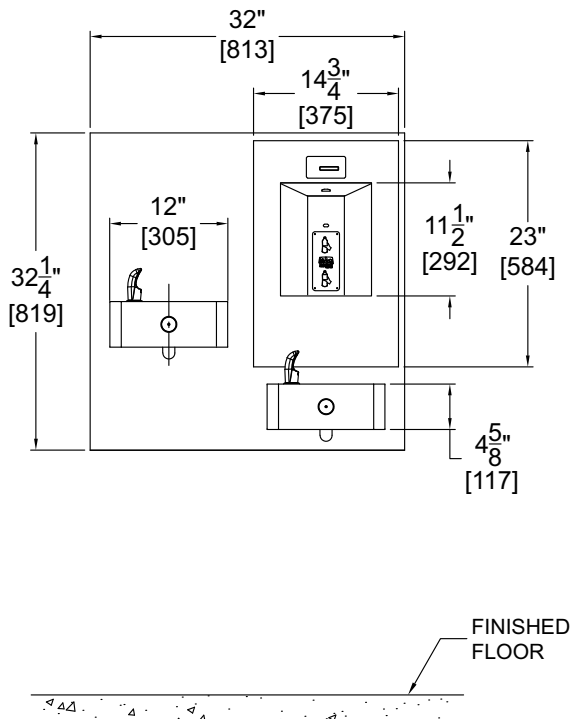
MODEL A152400S-VR-BF4

BARRIER FREE, VANDAL-RESISTANT, BI-LEVEL,
WALL MOUNTED DRINKING FOUNTAIN WITH
SEMI-RECESSED SENSOR OPERATED BOTTLE
FILLER AND 32" TRIM PANEL



GENERAL NOTES:

1. ALL DIMENSIONS ARE IN INCHES [MM]
- *2. DIMENSIONS SHOWN ARE FOR RECOMMENDED ADULT HEIGHT. ADJUST VERTICAL DIMENSIONS AS NECESSARY TO COMPLY WITH FEDERAL, STATE, & LOCAL CODES



**SELECTION SUMMARY
& APPROVAL FOR
MANUFACTURING**

Model Number & Options _____ Quantity _____

Company _____

Contact _____ Title _____

Signature _____ Date _____
(Approval for Manufacturing)

All dimensions are subject to manufactures tolerance of plus or minus 1/4" nominal and subject to change without notice. Murdock[®] assumes no responsibility for use of void or superseded data. Dimensions may change with the addition of optional accessories. Murdock[®] Mfg., Member of Morris Group International[®]. Please visit www.murdockmfg.com for most current specifications.