

## A151.8-VR Series

BARRIER FREE, VANDAL RESISTANT  
WALL MOUNTED CHILLED DRINKING FOUNTAIN

### STANDARD FEATURES

- Child or Adult ADA Compliant (When Properly Installed)
- 18 gauge, 304 Stainless Steel Basin and Chrome Plated Brass Button
- Polished Stainless Steel, Vandal Resistant, Anti-Rotation, Non-Squirt Bubbler
- 100-Mesh Inlet Strainer
- Vandal Resistant Screws
- Integral P-Trap
- Mounting Frame (A0000000-MF3)
- Back Panel and Louvered Grille
- Auto-Stop Allows Cartridge and Strainer Service Without Shutting Off Water Supply

### SUGGESTED SPECIFICATIONS

Model A151408S-VR is a Vandal Resistant, Wall Mounted, pressurized Chilled Drinking Fountain that shall deliver a minimum of **8.0 GPH** (30.3 LPH) of water at 50°F (10°C) cooled from 80°F (26.7°C) inlet water and 90°F (32.2°C) ambient. Unit shall be made from 18 gauge, 304 stainless steel with a brushed finish. Unit shall be activated by Chrome Plated Brass Pushbutton using less than 5 pounds of force. Cooling system shall use R-134a refrigerant and be Capillary Tube regulated. An Adjustable Thermostat with an "off" position shall regulate the refrigeration system. Bubbler shall be polished stainless steel with a non-squirt feature and operate on a water pressure range of 20-105 PSIG. Unit shall have a uniquely designed, two-piece contoured Bowl with P-Trap integral to the unit. Unit shall be listed by Underwriters Laboratories for both the US and Canada and is compliant to the Air Conditioning and Refrigeration Institute Standard 1010. Unit shall be certified to Public Law 111-380 (NO-LEAD) and NSF/ANSI/CAN 61. Fixture meets ADA, ADA Standing Person, and ADA Child requirements when mounted appropriately. Optional WF3000 PFAS Water Filter shall have 3000 gallon capacity with 3rd Party Certification for Lead, Bacteria, Chlorine, Microplastics, and NSF/ANSI for Cyst and total PFAS reduction.

Model Number	GPH*	Rated Watts	Full Load Amps	Approx. Shipping Weight
A151408S-VR	8.0	390	4.6	90 lbs.

\*GPH of 50°F water at 90°F ambient room temperature and 80°F inlet water temperature. Compressor motor operates on 115 Volt / 60 Hz single phase.

Complies with the following standards:



Federal Public Law 111-380 (No Lead)



ANSI/ASHRAE 18



(220V Compressor Only)

NSF/ANSI/CAN 61-2020

ANSI/ASHRAE 18



"INDOOR USE ONLY"

### MODEL:

(Must Specify)

#### FLEXIBLE BUBBLER (LOW FLOW)

- A151208F-VR Bronze Finish
- A151308F-VR Gold Finish (High Polish)
- A151408F-VR Satin stainless Finish

#### LEAD-FREE STAINLESS STEEL BUBBLER

- A151208S-VR Bronze Finish
- A151308S-VR Gold Finish (High Polish)
- A151408S-VR Satin stainless Finish (Shown)

### OPTIONS

(additional costs may be incurred)

- HP High Polished Stainless Steel
- 220V 220 volt / 50 Hz Compressor (€€)

### ACCESSORIES

(additional costs may be incurred)

- WF3000 3000-gallon PFAS Water Filter<sup>1</sup>  
NSF/ANSI, PFAS, Lead, Bacteria, Chlorine, Microplastics

### NOTE:

1 - Refer to Supplemental Submittal Sheets for Details

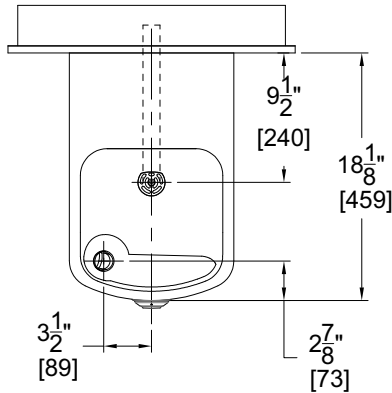
[3000 Gallon PFAS Filter Certifications](#)

[Product Warranty](#)

**WARNING:** Cancer and Reproductive Harm - [www.P65Warnings.ca.gov](http://www.P65Warnings.ca.gov)

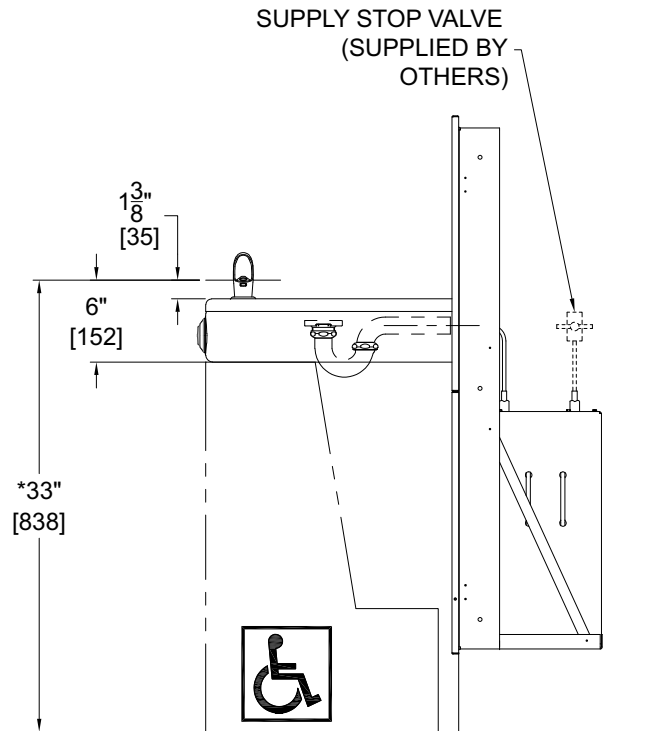
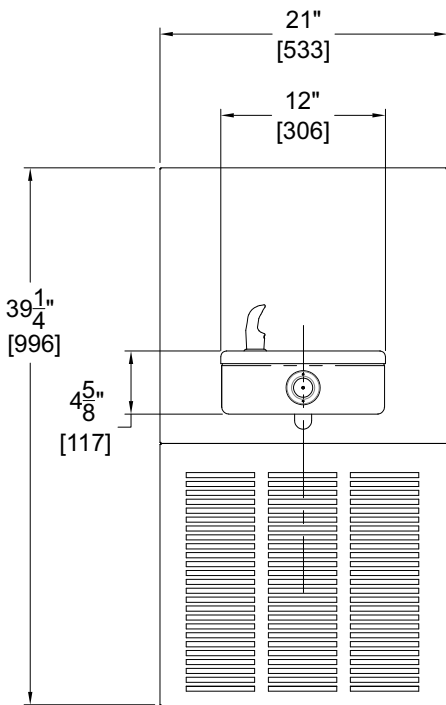
**A151.8-VR Series**

BARRIER FREE, VANDAL RESISTANT  
WALL MOUNTED CHILLED DRINKING FOUNTAIN



GENERAL NOTES:

1. ALL DIMENSIONS ARE IN INCHES [MM].
- \*2. DIMENSIONS SHOWN ARE FOR RECOMMENDED ADULT HEIGHT. ADJUST VERTICAL DIMENSIONS AS NECESSARY TO COMPLY WITH FEDERAL, STATE, & LOCAL CODES.
3. WATER LINE FROM CHILLER TO FOUNTAIN SHOULD BE COVERED WITH SPONGE FOAM RUBBER OR ICE WATER TYPE INSULATION OF ADEQUATE THICKNESS.



FINISHED FLOOR

SELECTION SUMMARY & APPROVAL FOR MANUFACTURING	Model Number & Options _____	Quantity _____	All dimensions are subject to manufactures tolerance of plus or minus 1/4" nominal and subject to change without notice. Murdock <sup>®</sup> assumes no responsibility for use of void or superseded data. Dimensions may change with the addition of optional accessories. Murdock <sup>®</sup> Mfg., Member of Morris Group International <sup>®</sup> . Please visit <a href="http://www.murdockmfg.com">www.murdockmfg.com</a> for most current specifications.
	Company _____		
	Contact _____	Title _____	
	Signature (Approval for Manufacturing) _____	Date _____	