

A151.8-VR-BF4 Series

BARRIER FREE, VANDAL RESISTANT, WALL MOUNTED WATER COOLER WITH SEMI-RECESSED SENSOR OPERATED BOTTLE FILLER

STANDARD FEATURES

- Both Child or Adult ADA Compliant (When Properly Installed)
- 18 Gauge, 304 Stainless Steel Basin and Chrome Plated Brass Button
- Polished Lead-Free Stainless Steel, Anti-Rotation Non-squirt Bubbler or Flexible Low Flow Bubbler
- 100-Mesh Inlet Strainer
- Mounting Frame (A0000000-MF11)
- Trim Panel and Louvered Grille
- 1 GPM Fill Rate (Bottle Filler)
- Laminar Flow Water Supply (Bottle Filler)
- 115v Plug-in Transformer (Bottle Filler)
- Auto-Stop Allows Cartridge and Strainer Service Without Shutting Off Water Supply

SUGGESTED SPECIFICATIONS

Model A151408S-BF4 is a wall mounted, pressurized Vandal Resistant Water Cooler and Bottle Filler combination that shall deliver a minimum of **8.0 GPH** (30.3 LPH) of water at 50°F (10°C) cooled from 80°F (26.7°C) inlet water and 90°F (32.2°C) ambient. Unit shall be made from 18 gage, 304 stainless steel with a brushed finish. Water Cooler shall be activated by Chrome Plated Brass Pushbutton using less than 5 pounds of force, which activates internally mounted valves with adjustable stream regulators controlling the water flow. Bottle Filler activates using an Infrared Sensor. Cooling system shall use R-134a refrigerant and be Capillary Tube regulated. An Adjustable Thermostat with an "off" position shall regulate the refrigeration system. Bubbler shall be polished stainless steel with non-squirt features and operate on a water pressure range of 20-105 PSIG. Unit shall have uniquely designed, two-piece contoured Bowl with a P-Trap integral to the unit. Chiller shall be listed by Underwriters Laboratories for both the US and Canada and is compliant to the Air Conditioning and Refrigeration Institute Standard 1010. Fountain and Chiller are certified to Public Law 111-380 (NO-LEAD) and NSF/ANSI/CAN 61. Fixture meets ADA, ADA Standing Person, and ADA Child requirements when mounted appropriately.

Model Number	GPH*	Rated Watts	Full Load Amps	Approx. Shipping Weight
A151408S-VR-BF4	8.0	390	4.6	130 lbs.

*GPH of 50°F water at 90°F ambient room temperature and 80°F inlet water temperature. Compressor motor operates on 115 Volt / 60 Hz single phase.

Complies with the following standards:



NSF/ANSI/CAN 61-2020



Federal Public Law 111-380 (No Lead)



ANSI/ASHRAE 18



(220V Compressor Only)



Model A151408S-VR-BF4 Shown

MODEL:

(Must Specify)

FLEXIBLE BUBBLER (LOW FLOW)

- A151208F-VR-BF4 Bronze Finish
- A151308F-VR-BF4 Gold Finish (High Polish)
- A151408F-VR-BF4 Satin stainless Finish

LEAD-FREE STAINLESS STEEL BUBBLER

- A151208S-VR-BF4 Bronze Finish
- A151308S-VR-BF4 Gold Finish (High Polish)
- A151408S-VR-BF4 Satin stainless Finish (Shown)

OPTIONS

(additional costs may be incurred)

- BCD Bottle Counter Display (Bottle Filler)
- HP High Polished Stainless Steel
- 220V 220 volt / 50 Hz Compressor (€€)

ACCESSORIES

(additional costs may be incurred)

- WF3000 3000-gallon PFAS Water Filter¹
NSF/ANSI, PFAS, Lead, Bacteria, Chlorine, Microplastics

NOTES:

1- Refer to Supplemental Submittal Sheet for Complete Product details.

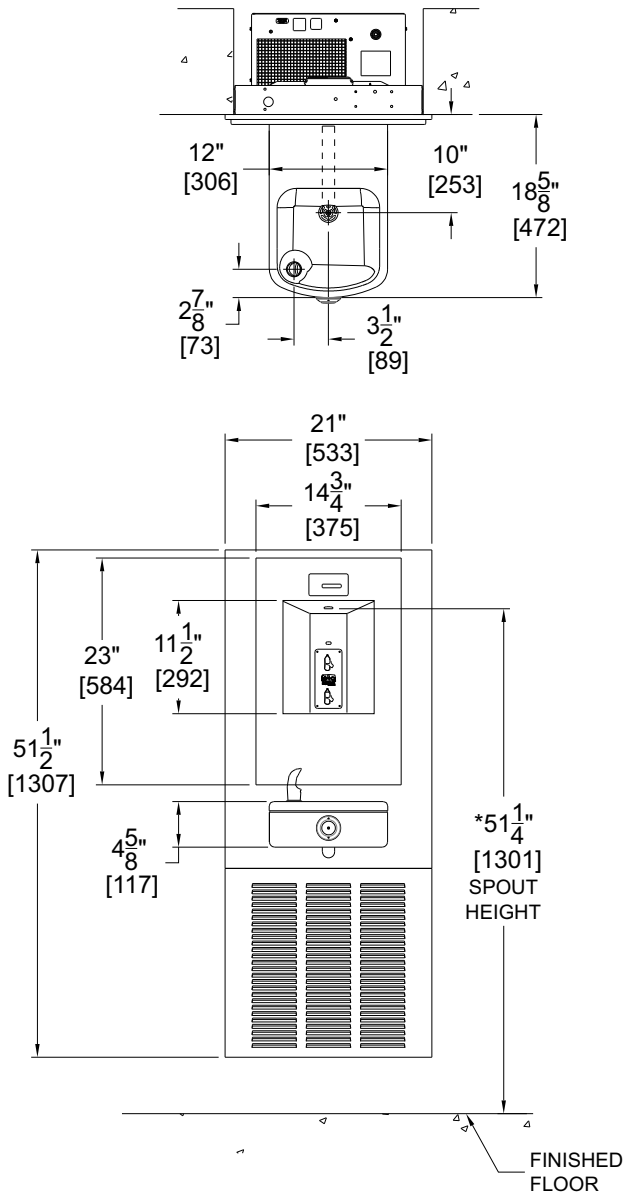
[3000 Gallon PFAS Filter Certifications](#)

[Product Warranty](#)

WARNING: Cancer and Reproductive Harm - www.P65Warnings.ca.gov

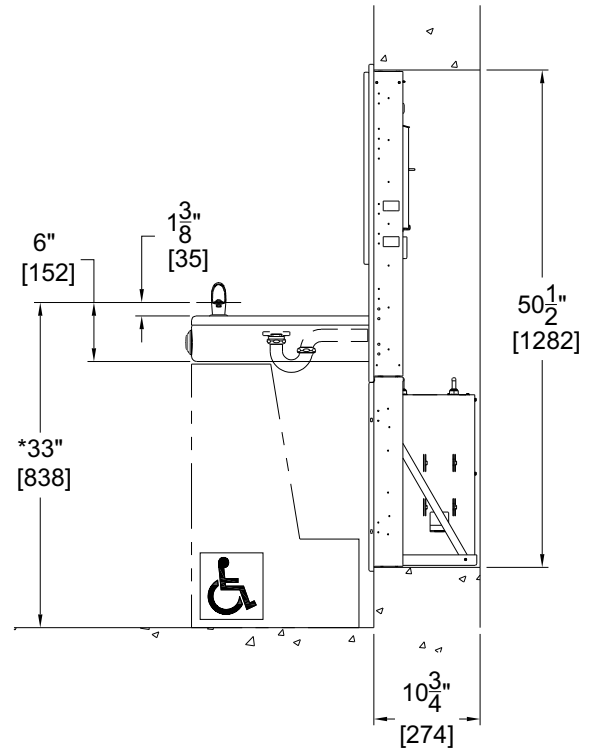
A151.8-VR-BF4 Series

BARRIER FREE, VANDAL RESISTANT, WALL MOUNTED WATER COOLER WITH SEMI-RECESSED SENSOR OPERATED BOTTLE FILLER



GENERAL NOTES:

1. ALL DIMENSIONS ARE IN INCHES [MM]
- *2. DIMENSIONS SHOWN ARE FOR RECOMMENDED ADULT HEIGHT. ADJUST VERTICAL DIMENSIONS AS NECESSARY TO COMPLY WITH FEDERAL, STATE, & LOCAL CODES



SELECTION SUMMARY & APPROVAL FOR MANUFACTURING

Model Number & Options _____ Quantity _____

Company _____

Contact _____ Title _____

Signature (Approval for Manufacturing) _____ Date _____

All dimensions are subject to manufactures tolerance of plus or minus 1/4" nominal and subject to change without notice. Murdock[®] assumes no responsibility for use of void or superseded data. Dimensions may change with the addition of optional accessories. Murdock[®] Mfg., Member of Morris Group International[®]. Please visit www.murdockmfg.com for most current specifications.